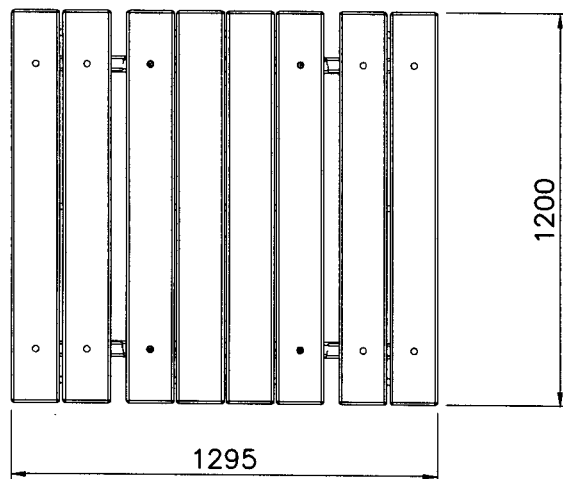
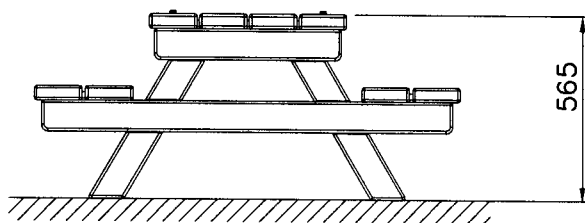
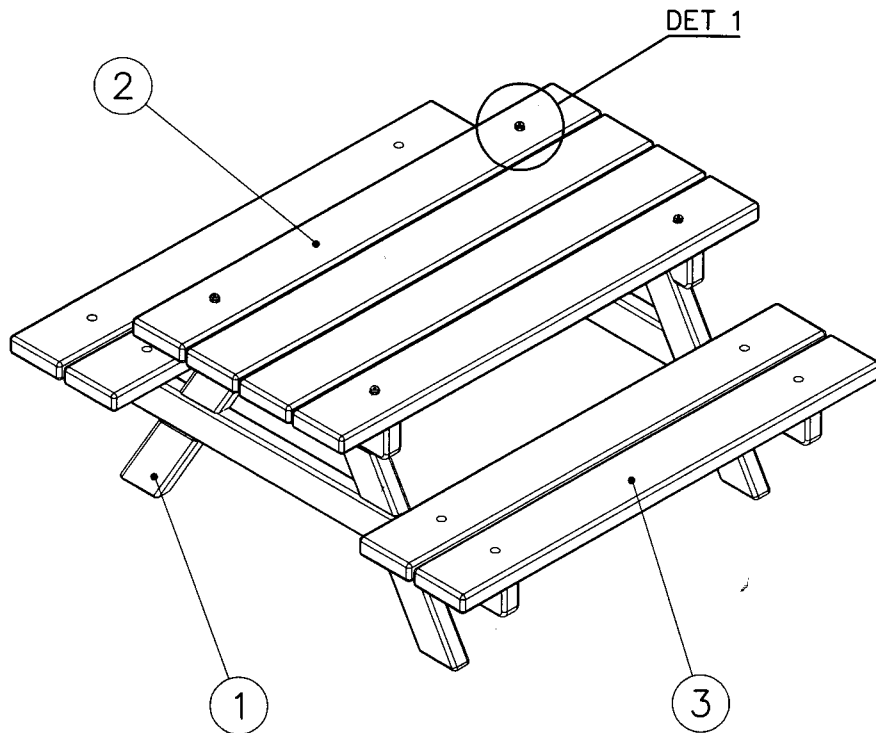


LAPPSET® PROMENADE

000510

DATE: 6.11.2000

1(1)



① 003408	PCS	② 003422	PCS
	2		1
③ 003424	PCS	④ 905013	PCS
	2		1
		∅5	
909117	PCS		PCS
	12		
8x100			
	PCS		PCS
	PCS		PCS
	PCS		PCS

