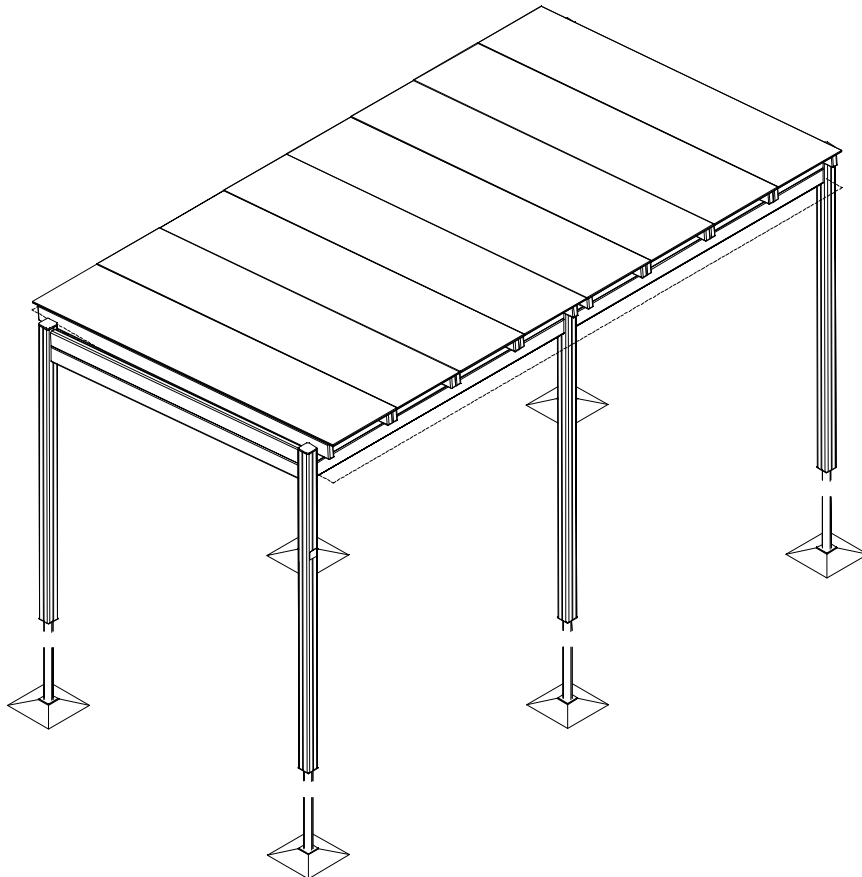

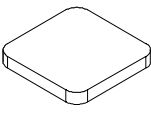
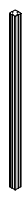

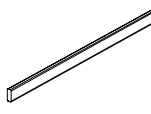




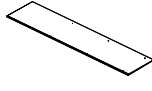
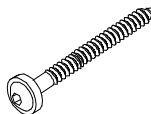
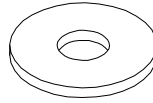
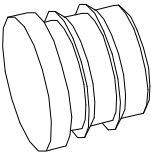

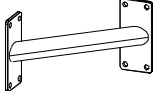
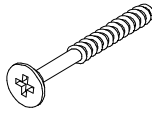
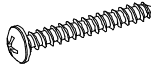
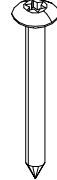


## ASENNUSOHJE MONTERINGSANSVISNING INSTALLATION INSTRUCTION AUFBAUANLEITUNG NOTICE D'INSTALLATION

DATE: 29.1.2026

### 071102M



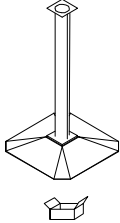

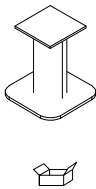
|   |     |   |     |   |     |   |     |   |     |  |     |
|---|-----|---|-----|---|-----|---|-----|---|-----|--|-----|
| 702286  | PCS | 711807  | PCS | 712039  | PCS | 712041  | PCS | 712436  | PCS | 712448   | PCS |
|   | 1   |  | 6   |  | 3   |  | 3   |  | 8   |   | 16  |
| 65x65   |     | 12x93x93  |     | L 2350  |     | L 2550  |     | 45x120x2315   |     | L 2900   |     |
| 712456  | PCS | 712461  | PCS | 712462  | PCS | 712463  | PCS | 903093  | PCS | 905051   | PCS |
|   | 6   |  | 4   |  | 2   |  | 2   |  | 56  |   | 32  |
| 45x120x2334   |     | 12x598x2790   |     | 12x598x2790   |     | 12x598x2790   |     | Ø8x90   |     | Ø24/8.4  |     |
| 905066  | PCS | 909232  | PCS | 914840-510  | PCS | 980107  | PCS | 980114  | PCS | 980128   | PCS |
|  | 32  |  | 32  |  | 6   |  | 12  |  | 4   |  | 112 |
| S30H  |     | 8x120   |     | 50x130x275  |     | Ø6 x 60   |     | Ø4x20   |     | Ø7x40  |     |
|   | PCS |   | PCS |   | PCS |   | PCS |   | PCS |  | PCS |
|   |     |   |     |   |     |   |     |   |     |  |     |
|   | PCS |   | PCS |   | PCS |   | PCS |   | PCS |  | PCS |
|   |     |   |     |   |     |   |     |   |     |  |     |

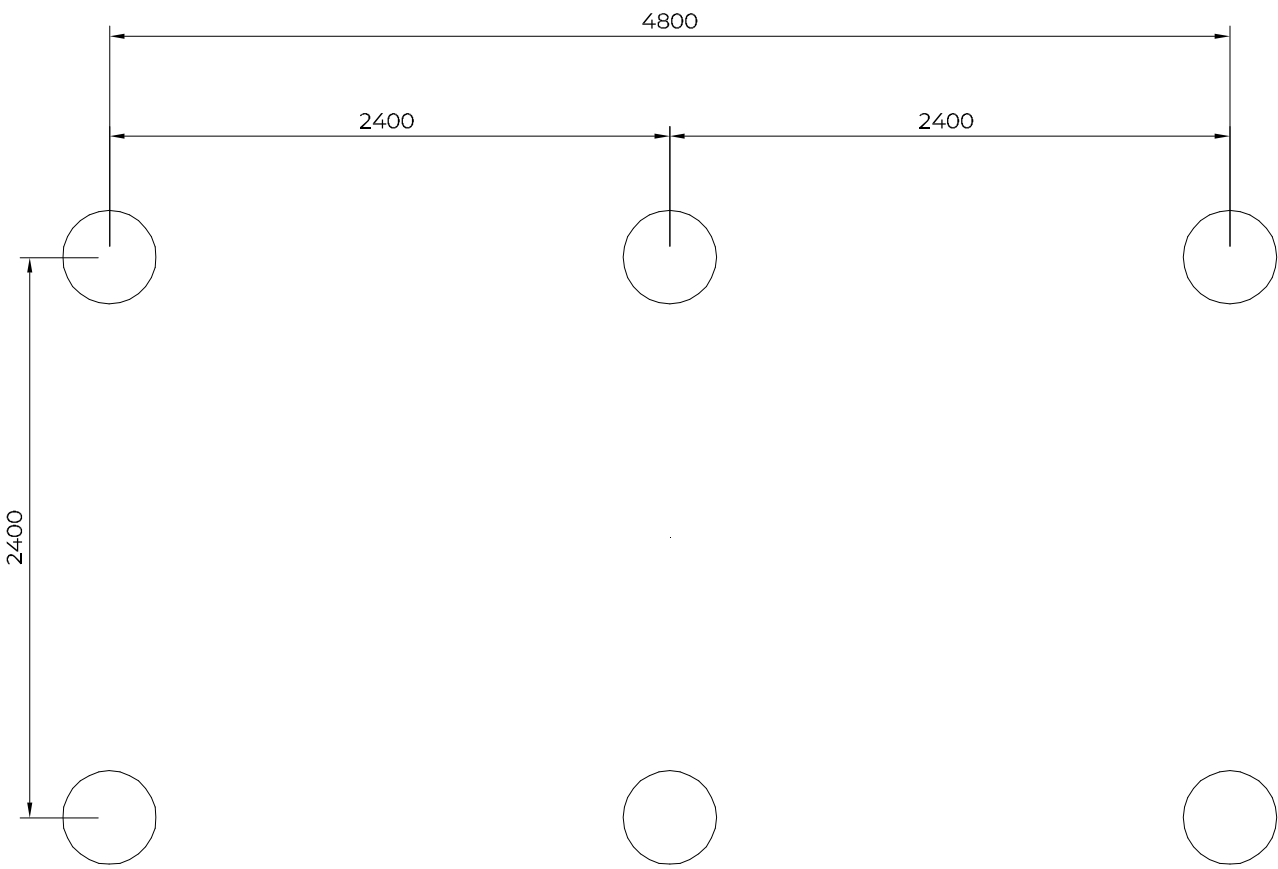
### FOOT OPTIONS

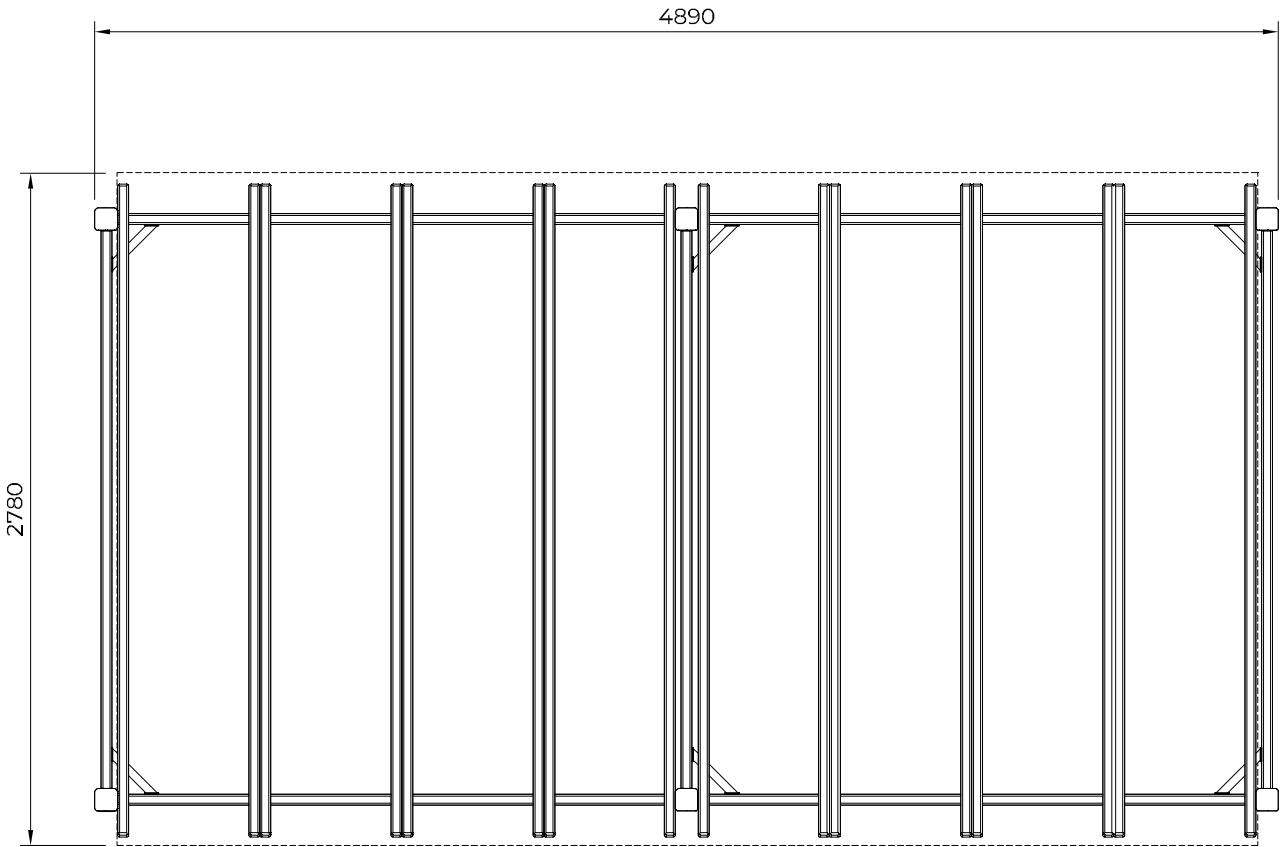
#### DEEP

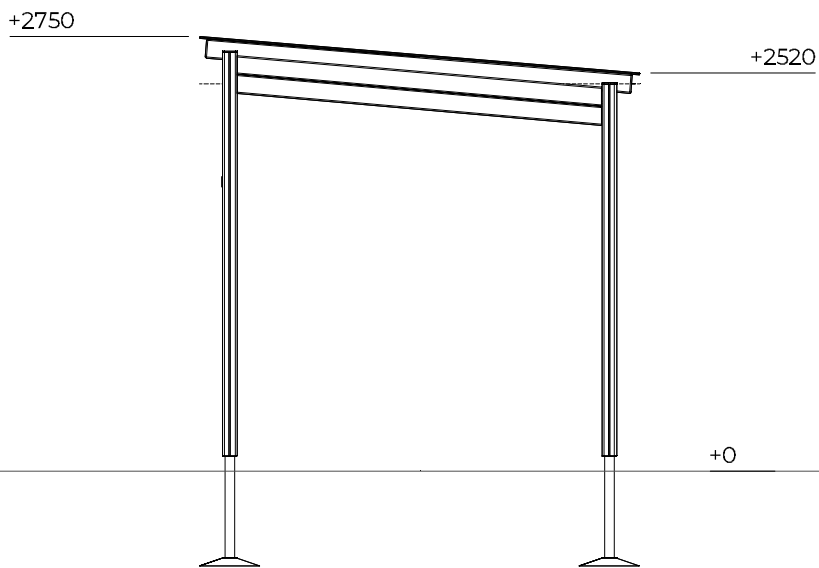
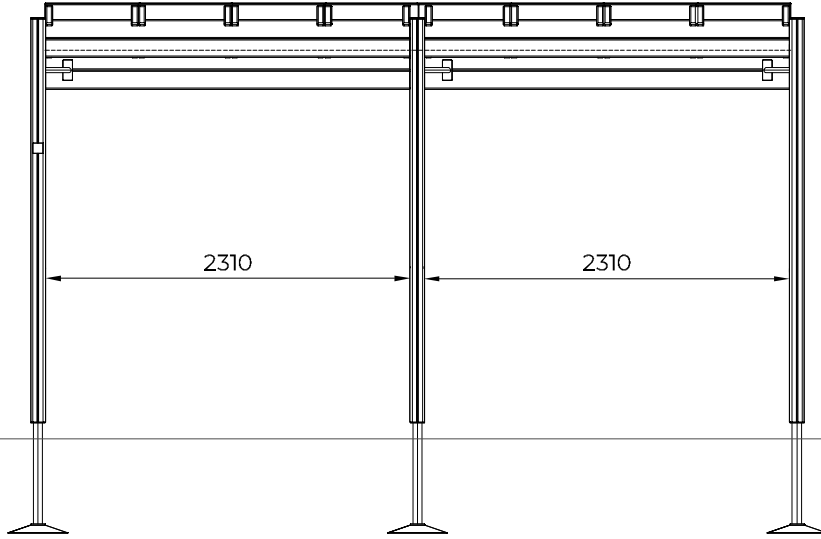
#### CONCRETE

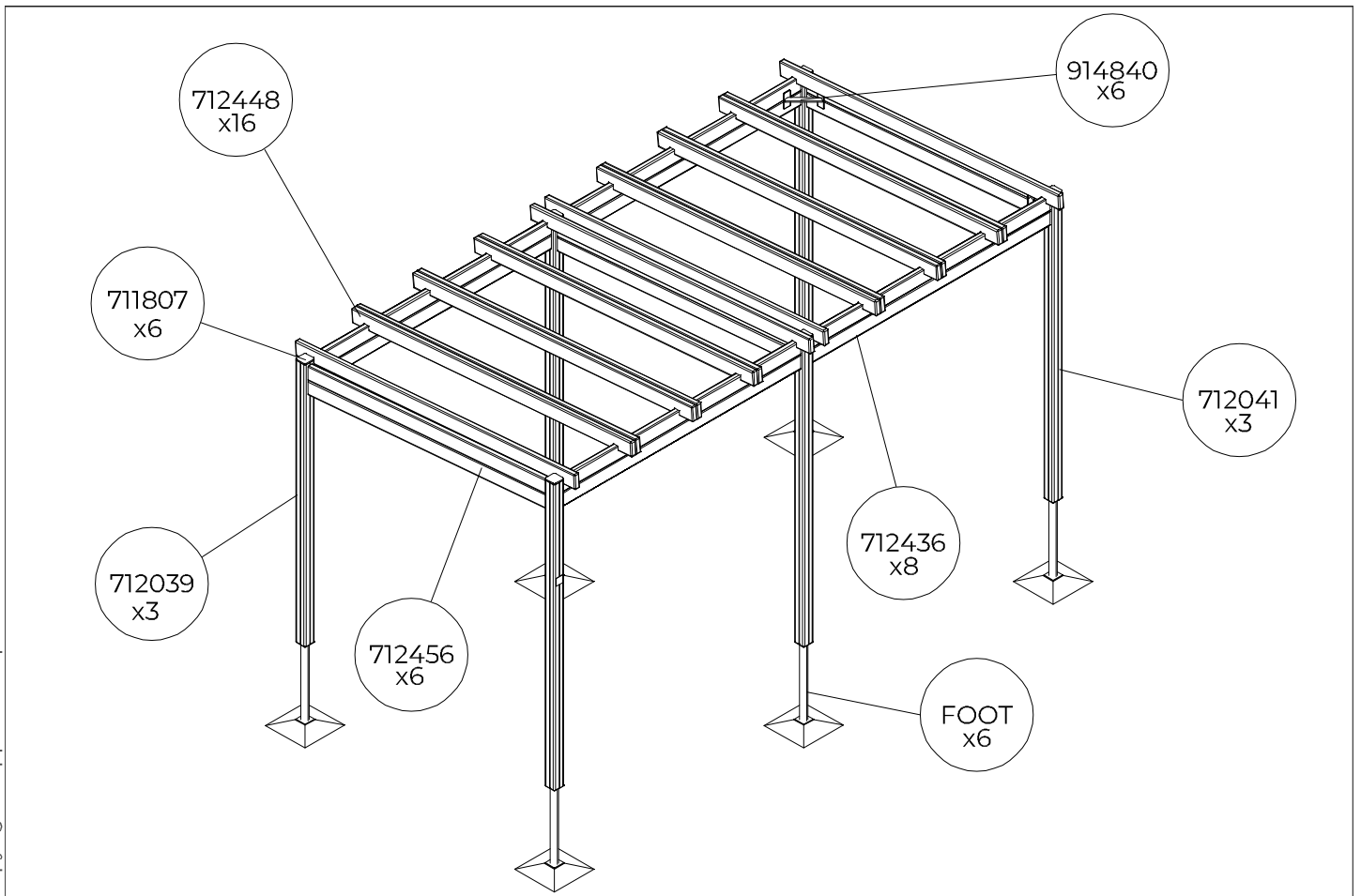
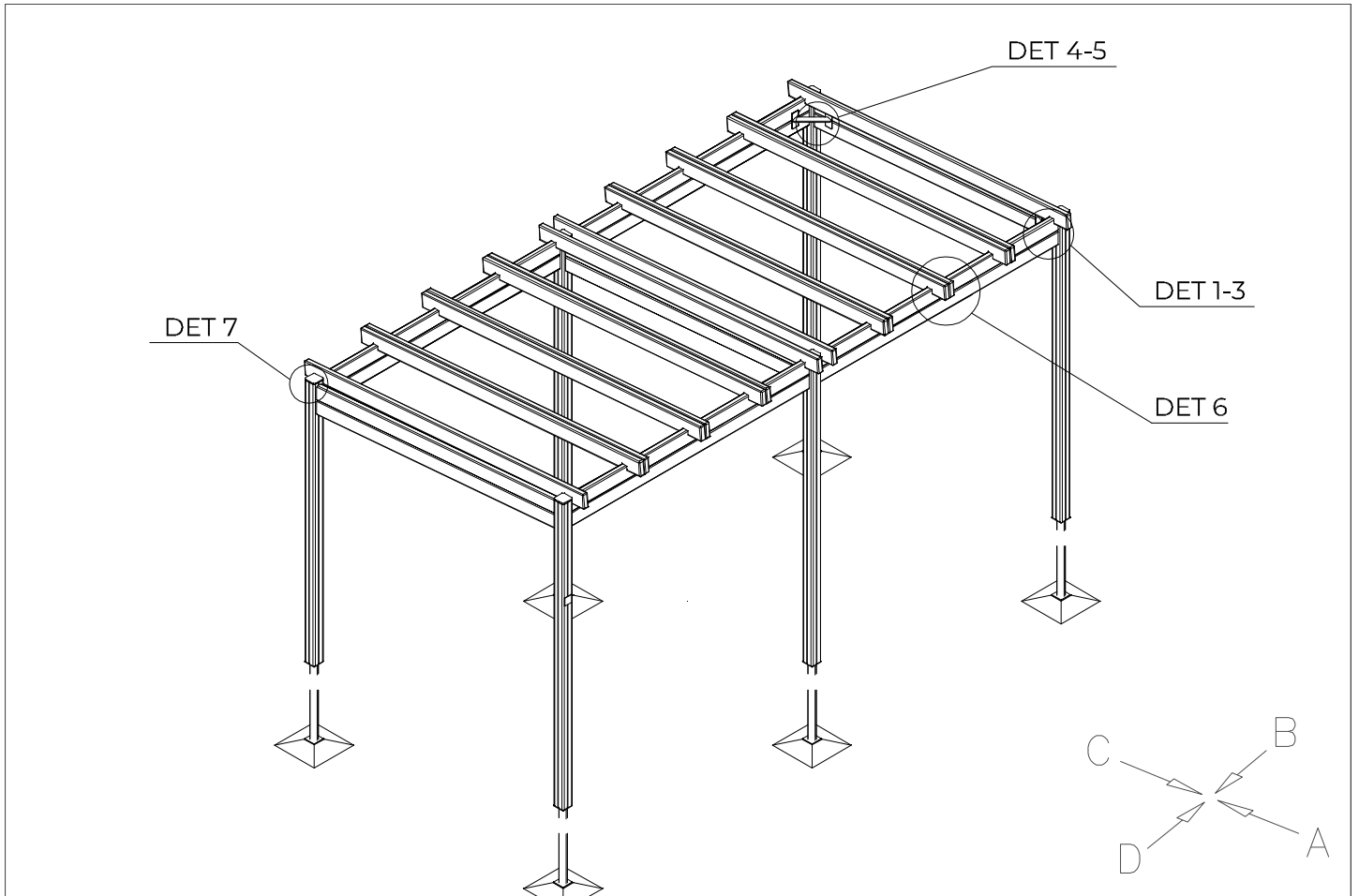
#### SURFACE

|   |     |  |     |   |     |  |     |   |     |  |     |
|---|-----|--|-----|---|-----|--|-----|---|-----|--|-----|
| 712889  | PCS |  | PCS | 903441  | PCS |  | PCS | 712890  | PCS |  | PCS |
|  | 6   |  |     |  | 6   |  |     |  | 6   |  |     |
|   |     |  |     |   |     |  |     |   |     |  |     |



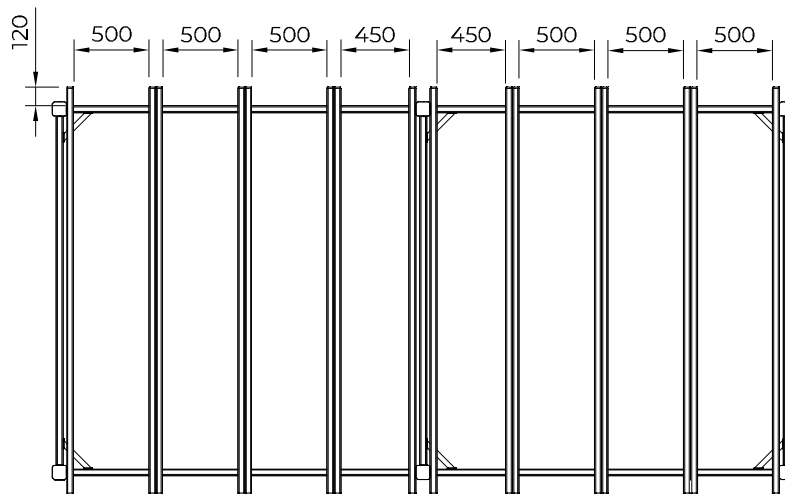
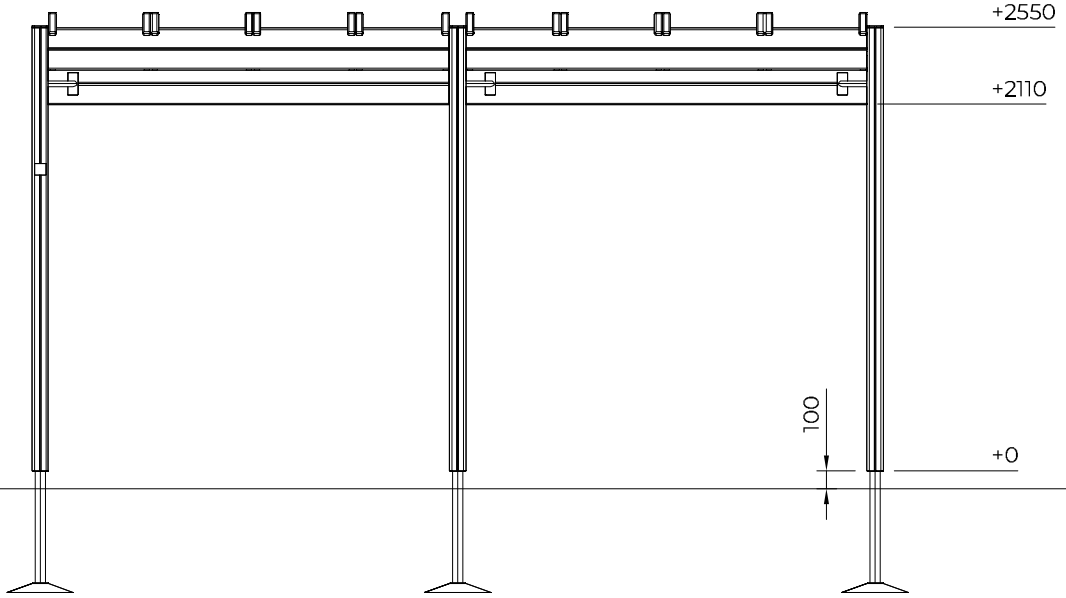




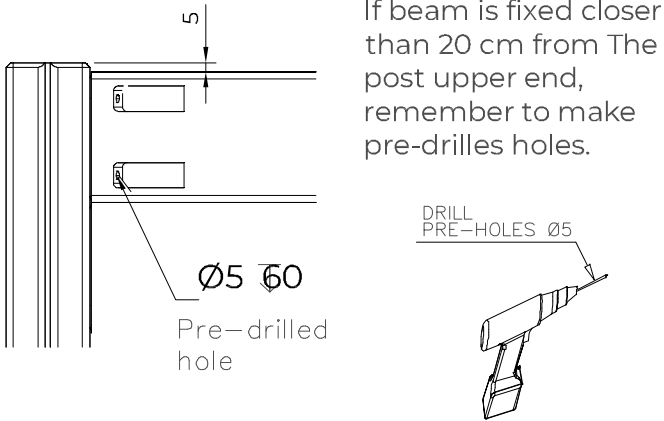


1:50

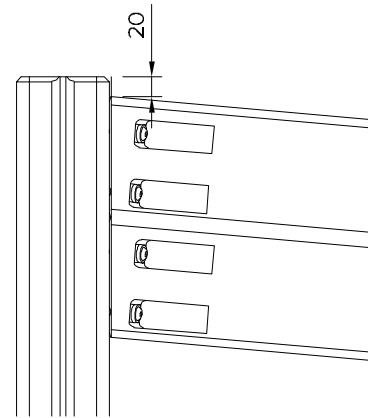
A



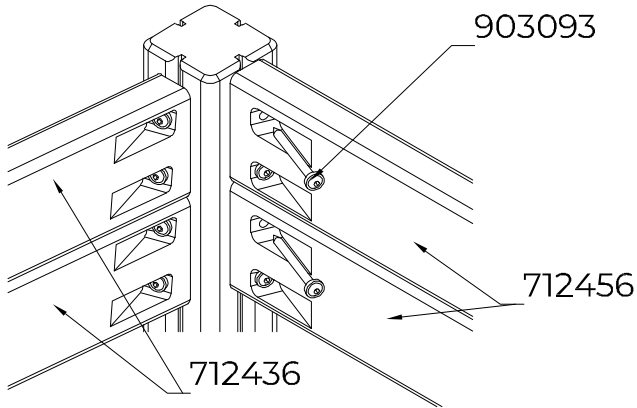
DET 1



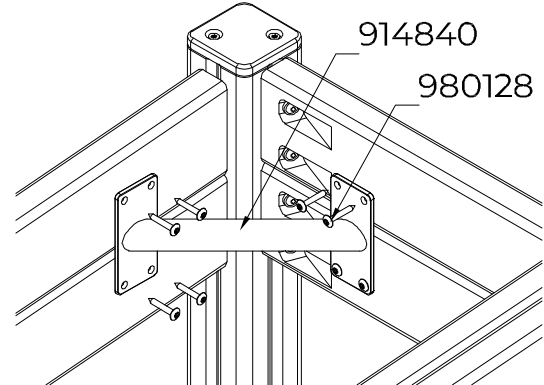
DET 2



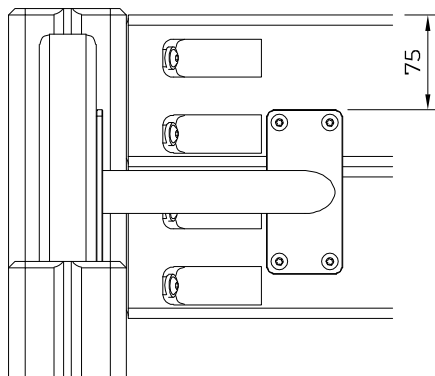
DET 3



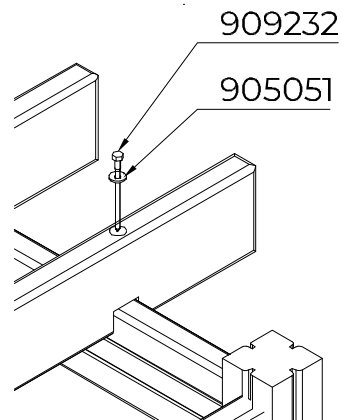
DET 4



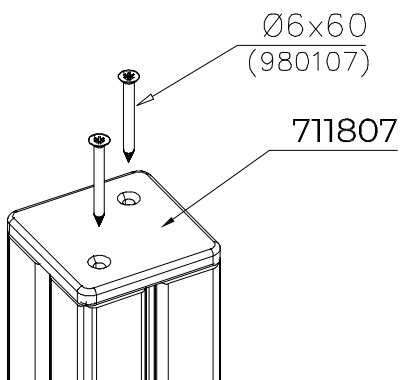
DET 5



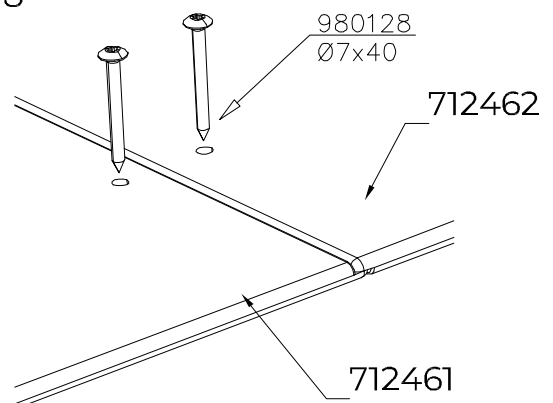
DET 6

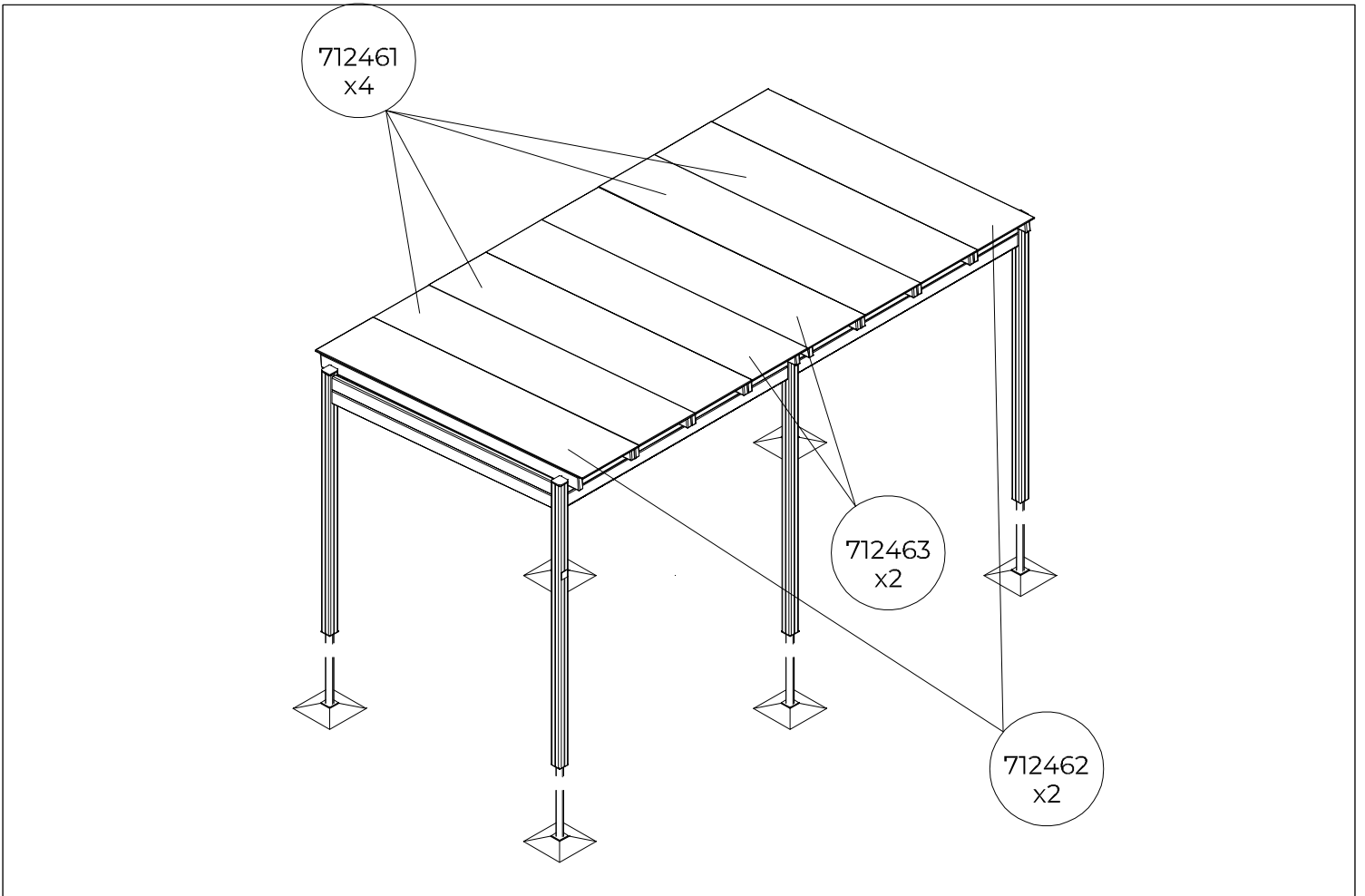
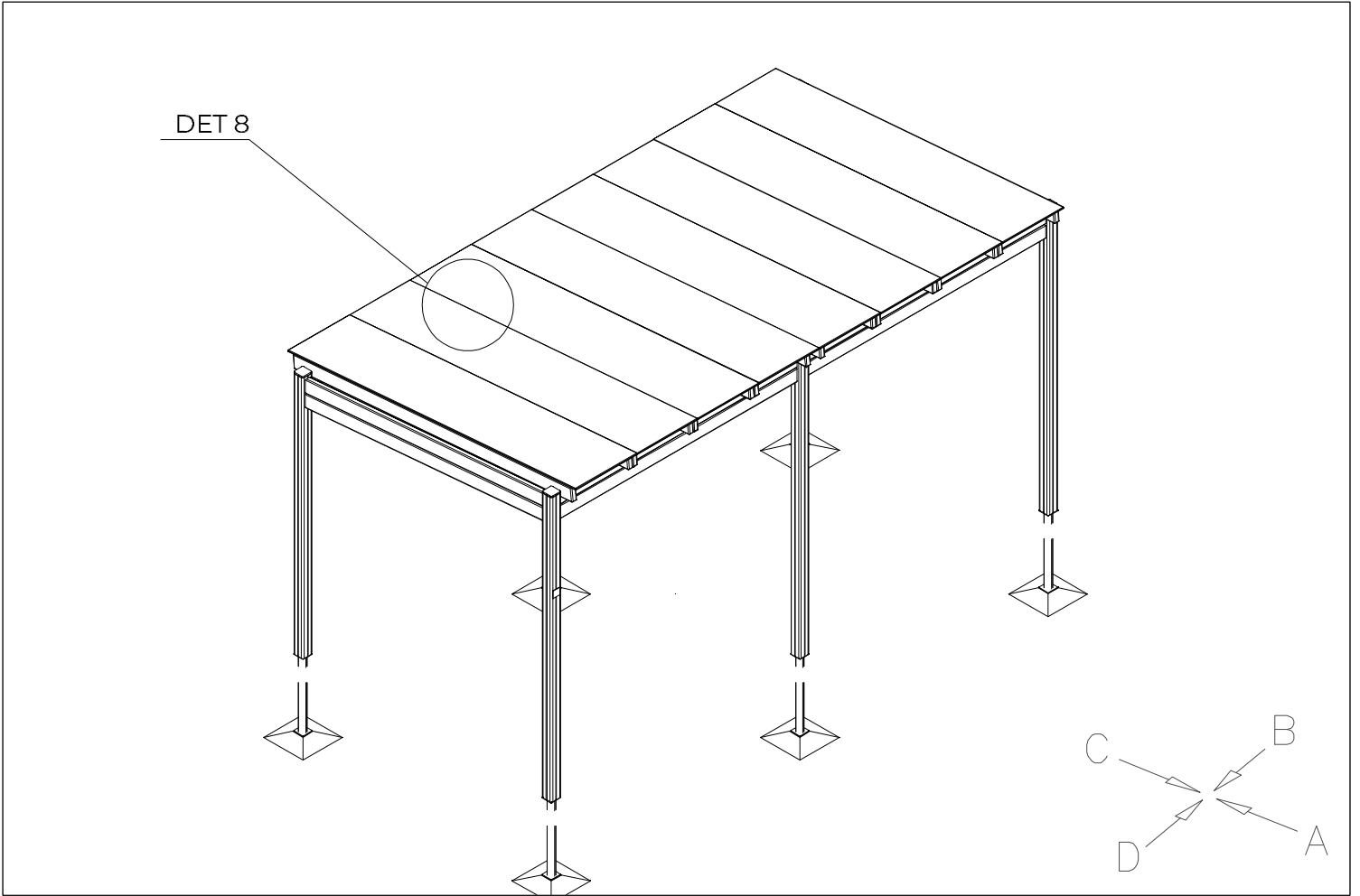


DET 7



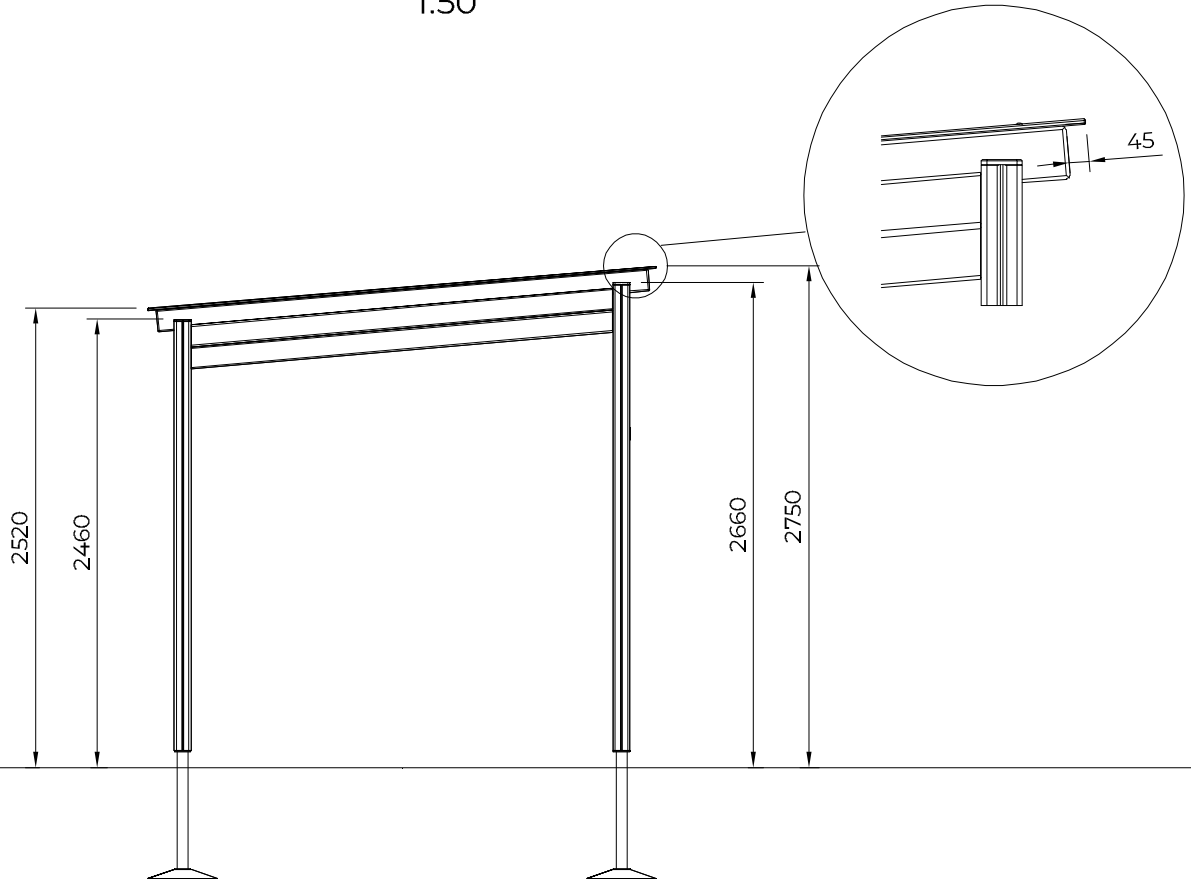
DET 8



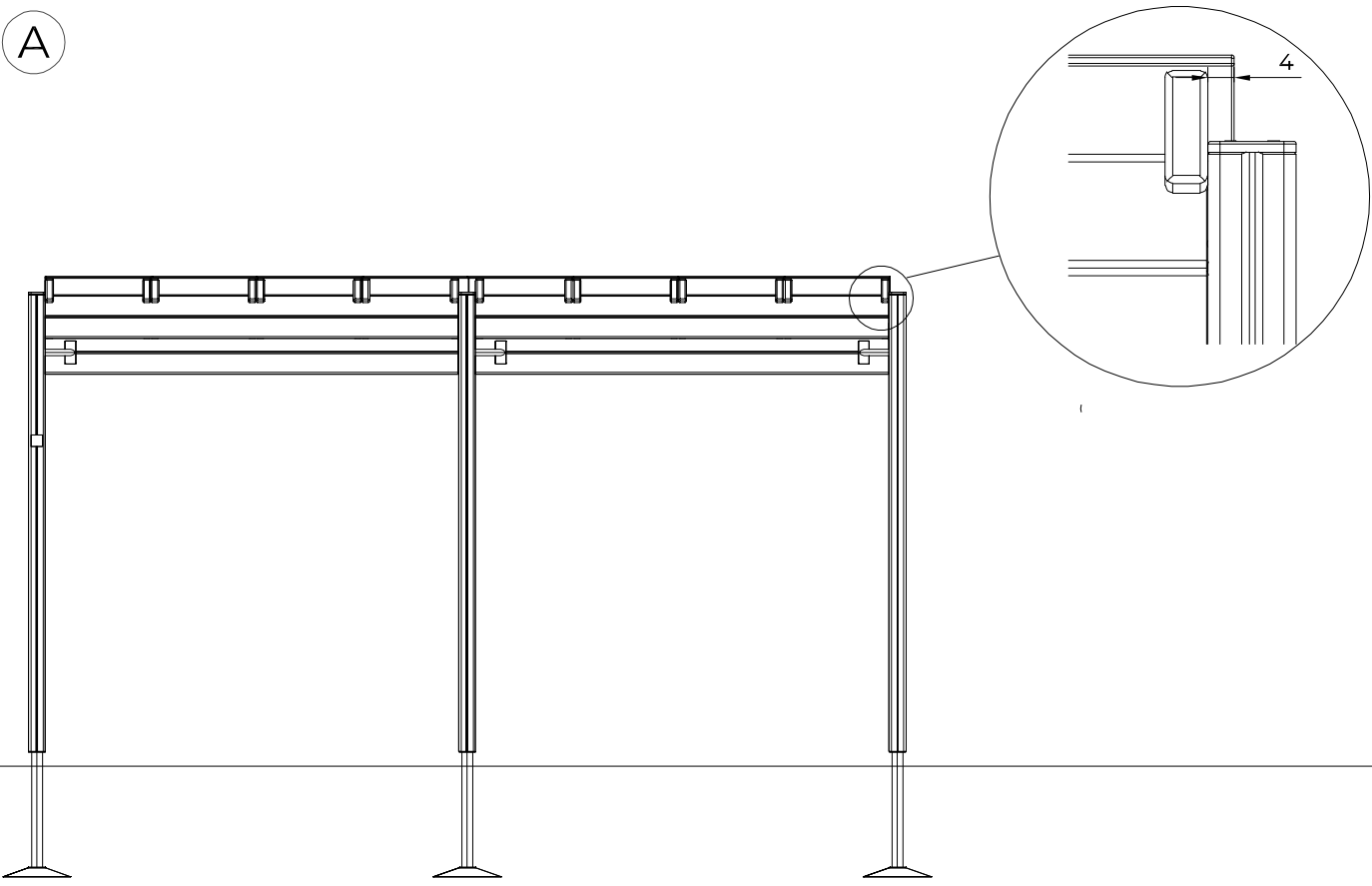


1:50

D



A



Start installing/positioning the roof plates from the middle towards the ends. Ensure that plate holes are align with the beams before final fixing. Pre-drill  $\varnothing 5$  mm holes through the roof plate holes to the roof beams.

