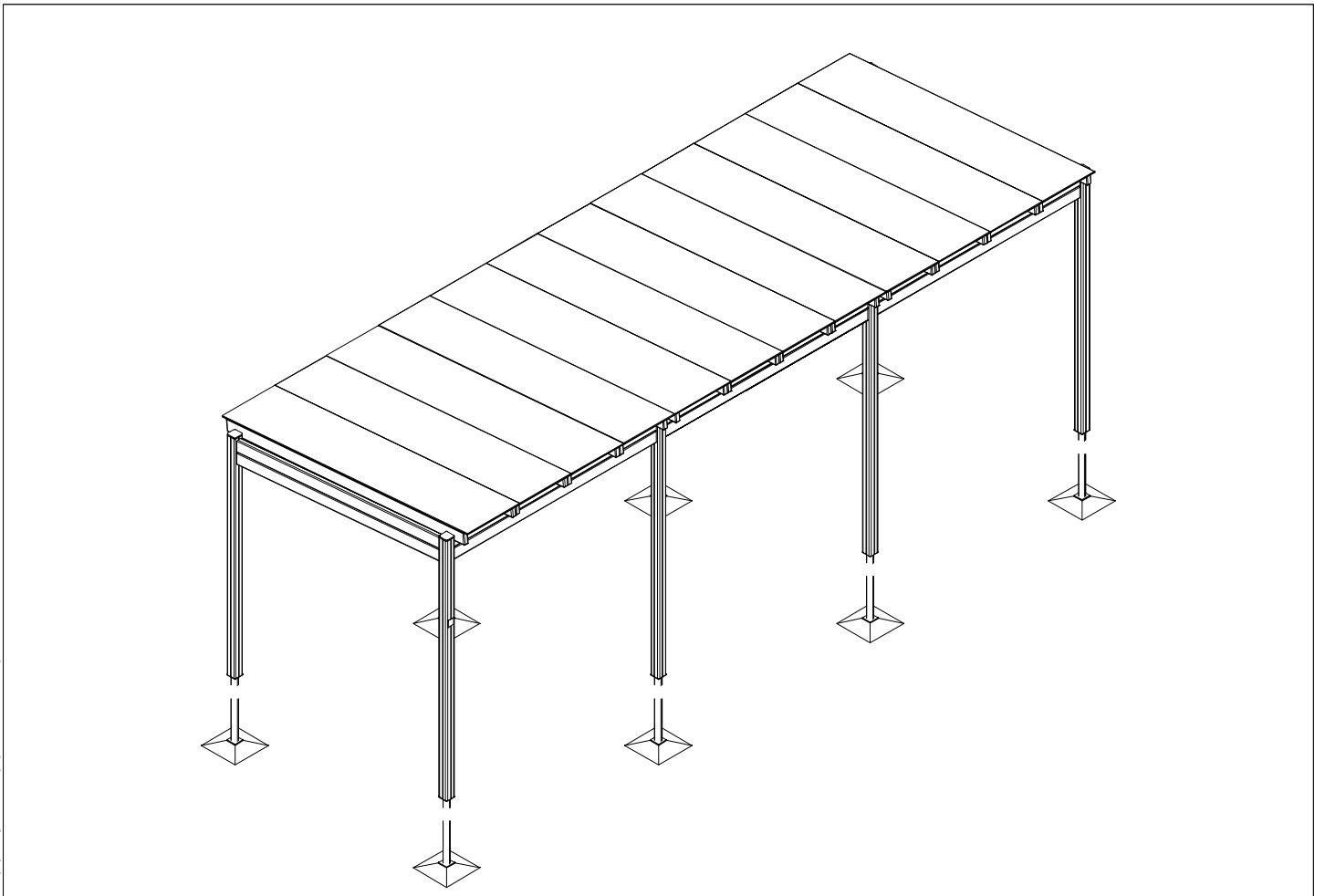



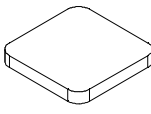


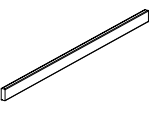



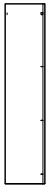

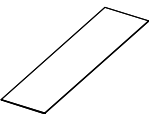
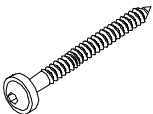
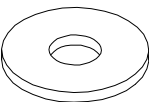
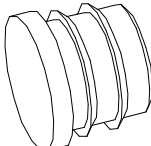

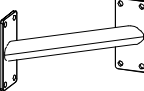
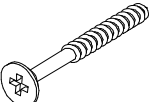
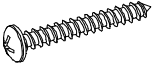
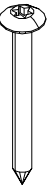
ASENNUSOHJE MONTERINGSANSVISNING INSTALLATION INSTRUCTION AUFBAUANLEITUNG NOTICE D'INSTALLATION

DATE: 29.1.2026

071103M



DATE: 29.1.2026

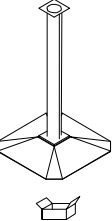

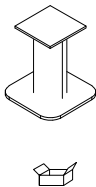
702286	PCS	711807	PCS	712039	PCS	712041	PCS	712436	PCS	712448	PCS
	1		8		4		4		12		24
65x65		12x93x93		L 2350		L 2550		45x120x2315		L 2900	
712456	PCS	712461	PCS	712462	PCS	712463	PCS	712474	PCS	903093	PCS
	8		6		2		3		1		80
45x120x2334		12x598x2790		12x598x2790		12x598x2790		12x643x2790		Ø8x90	
905051	PCS	905066	PCS	909232	PCS	914840-510	PCS	980107	PCS	980114	PCS
	48		48		48		8		16		4
Ø24/8.4		S30H		8x120		50x130x275		Ø6 x 60		Ø4x20	
980128	PCS		PCS		PCS		PCS		PCS		PCS
	160										
Ø7x40											
	PCS		PCS		PCS		PCS		PCS		PCS

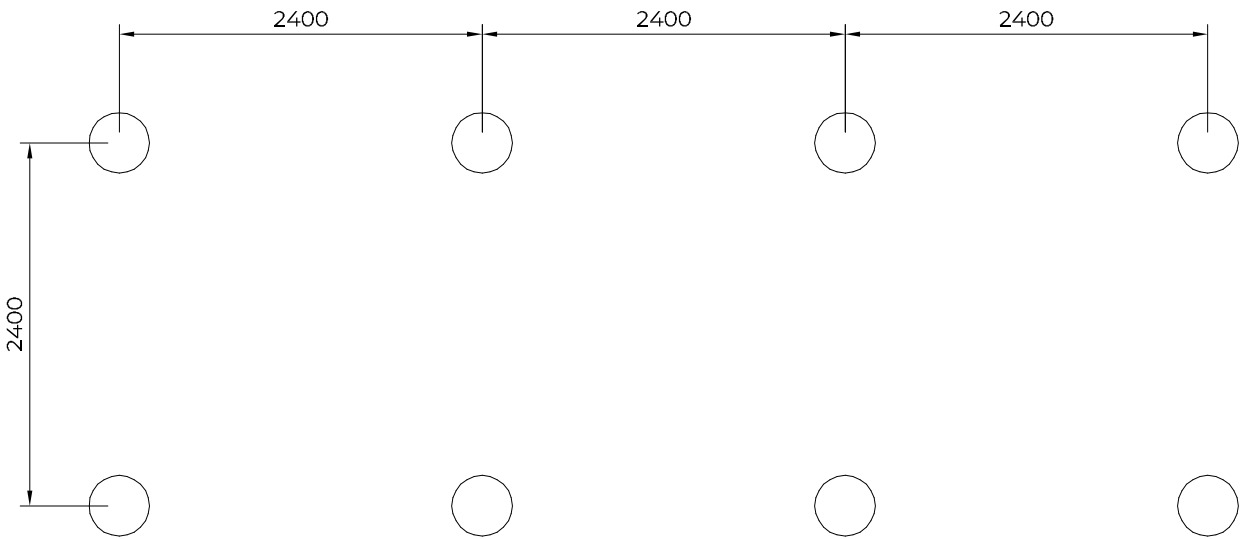
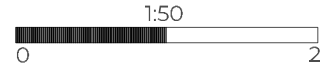
FOOT OPTIONS

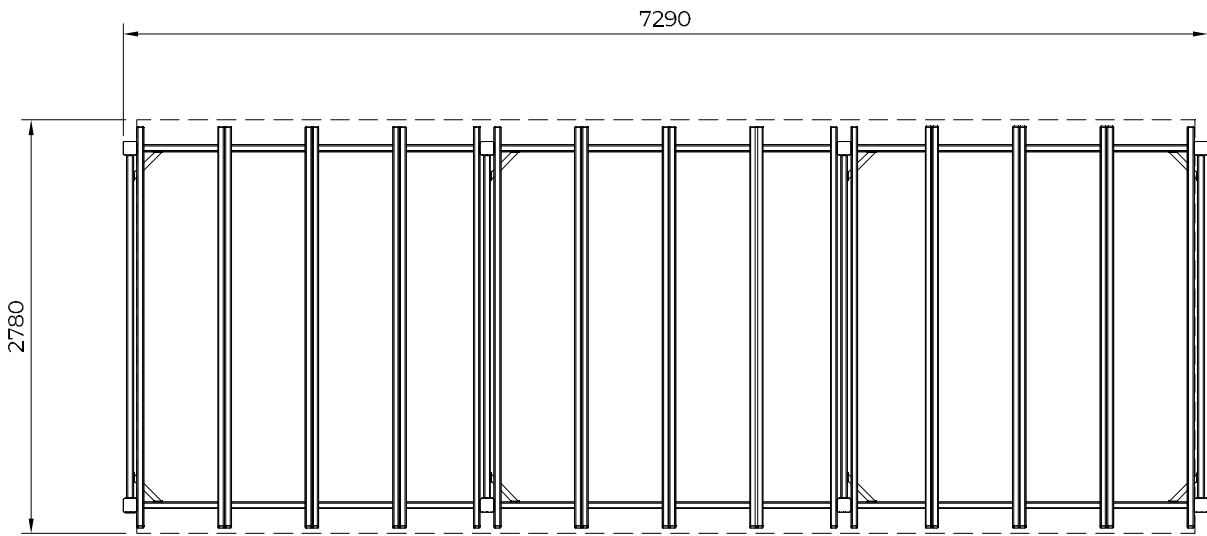
DEEP

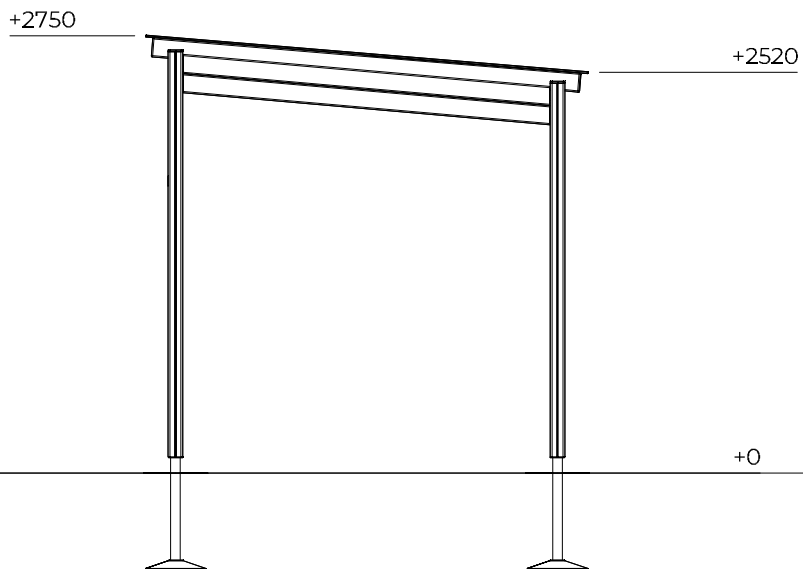
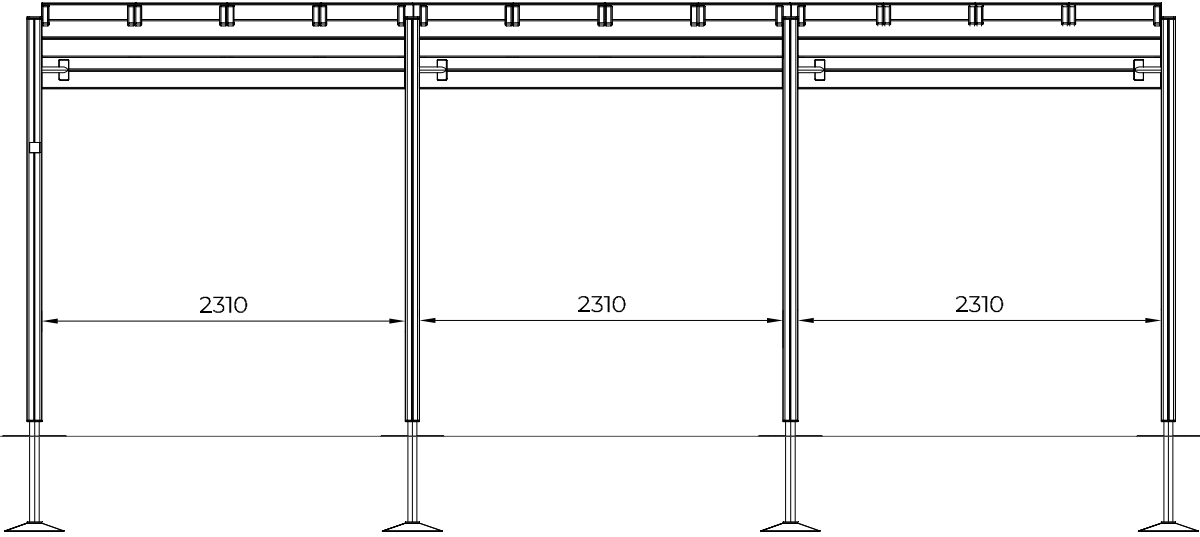
CONCRETE

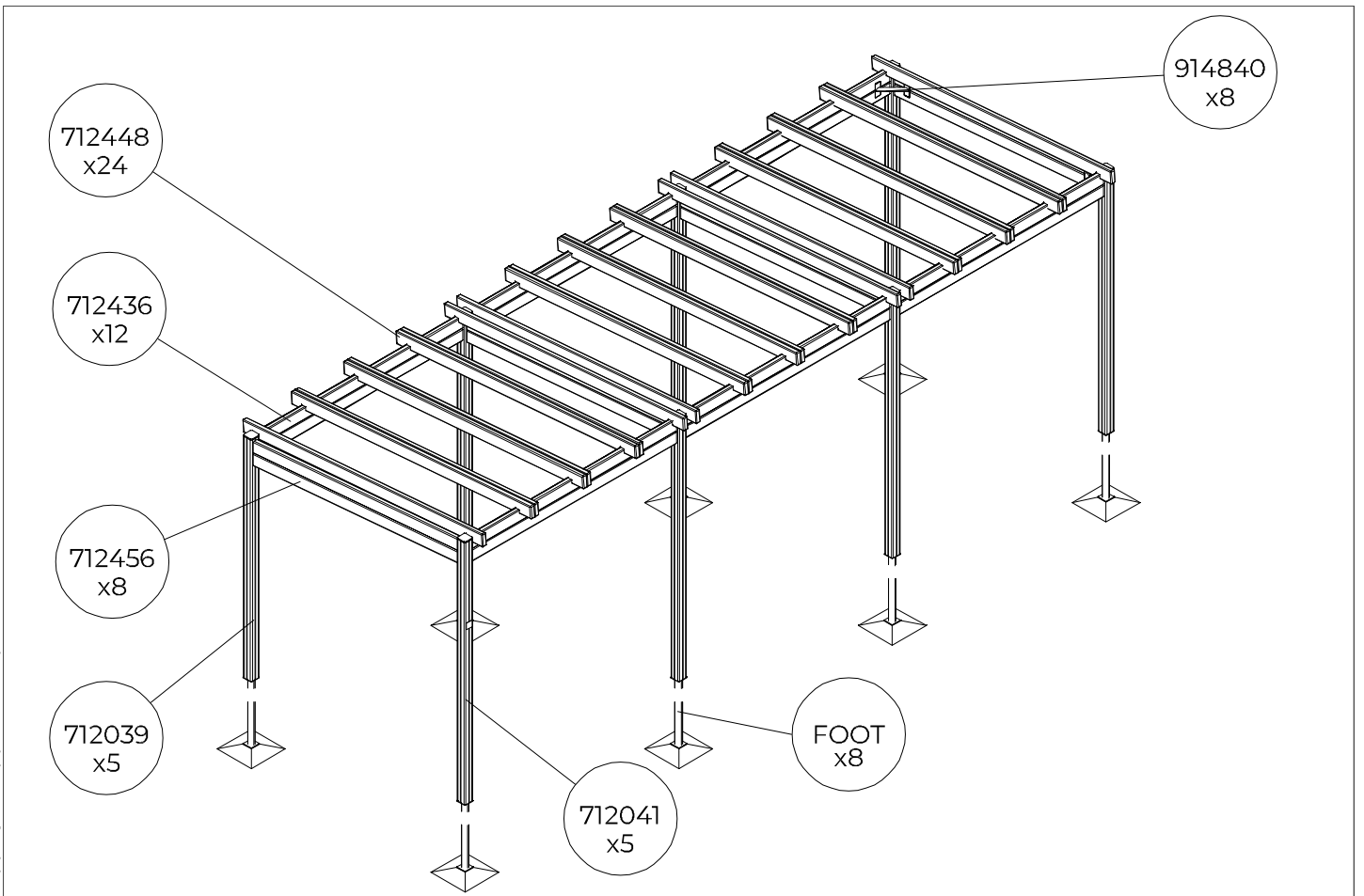
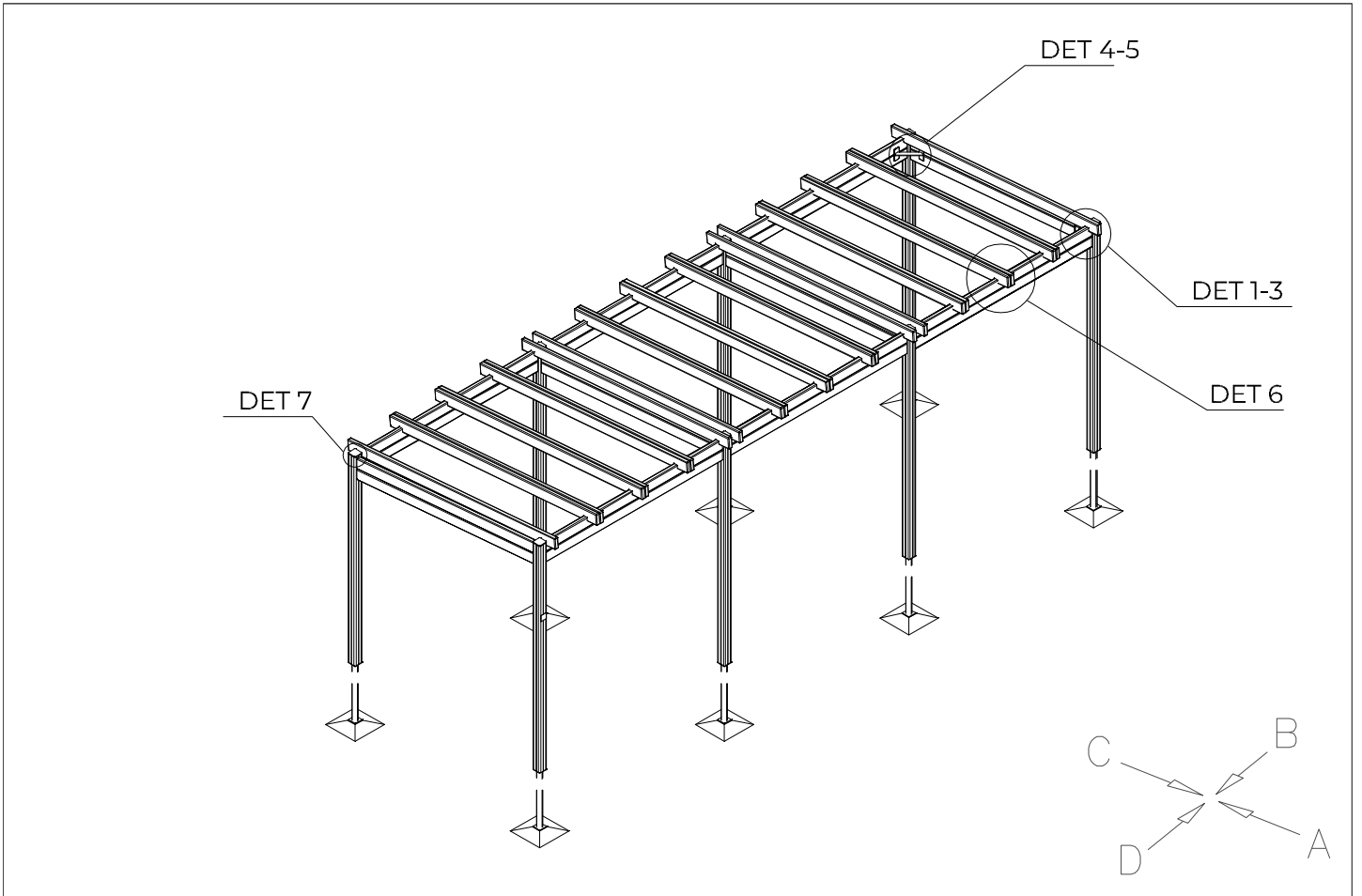
SURFACE

712889	PCS		PCS	903441	PCS		PCS	712890	PCS		PCS
	8				8				8		



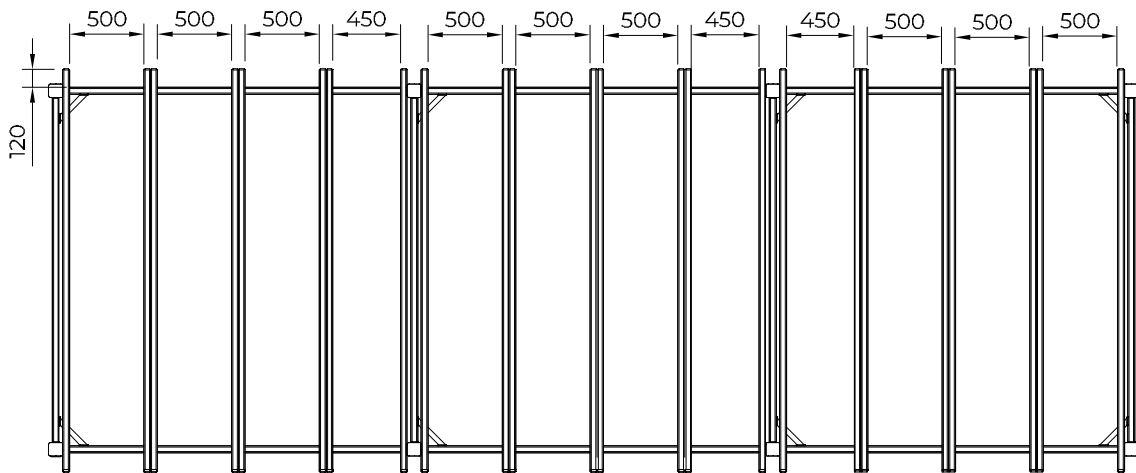
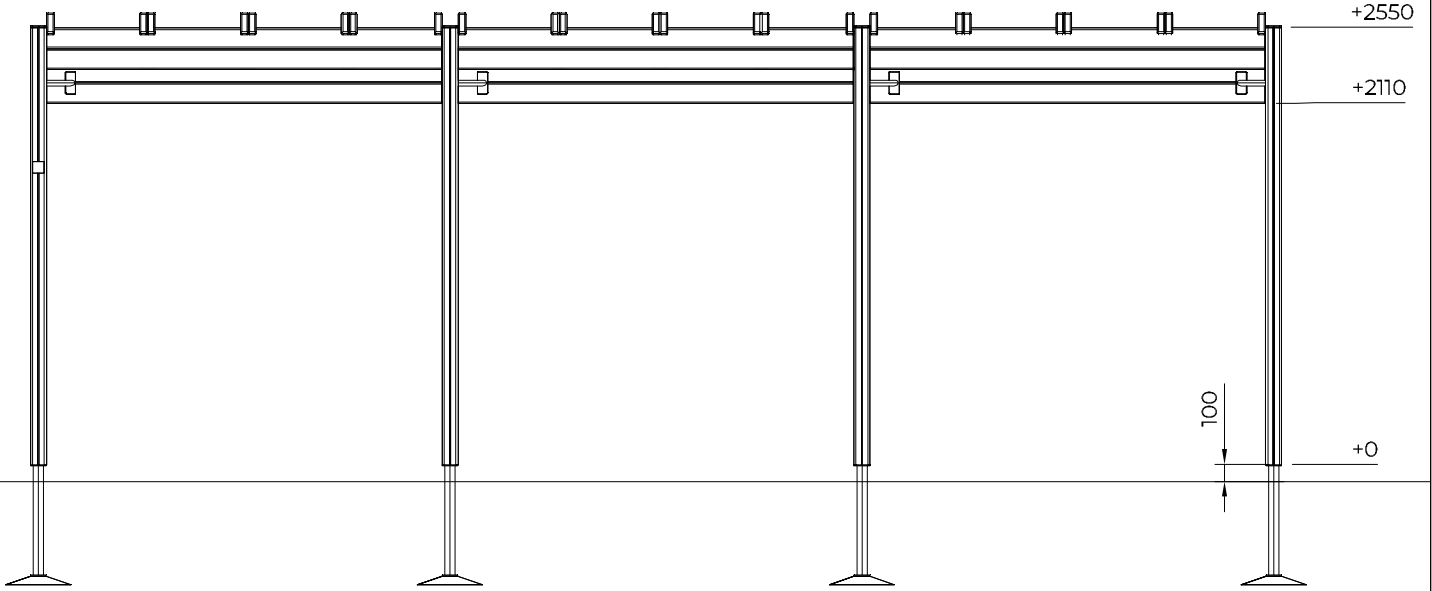




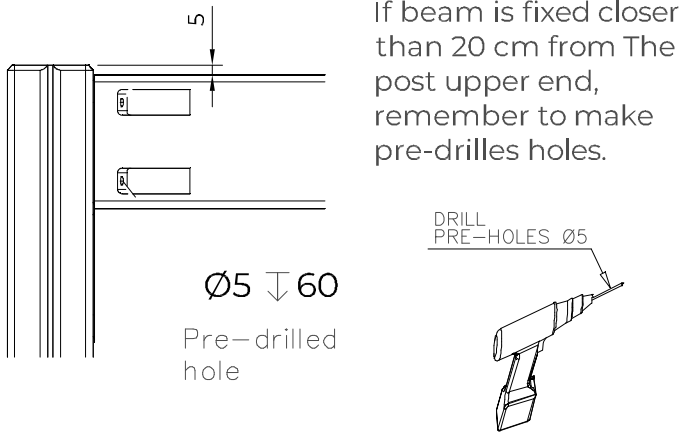


A

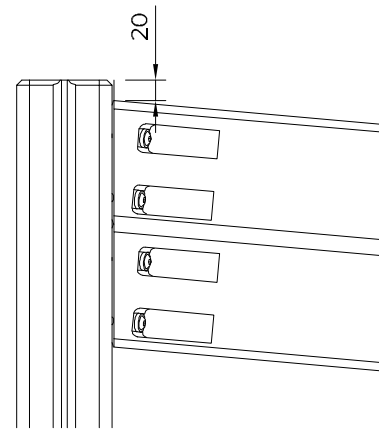
1:50



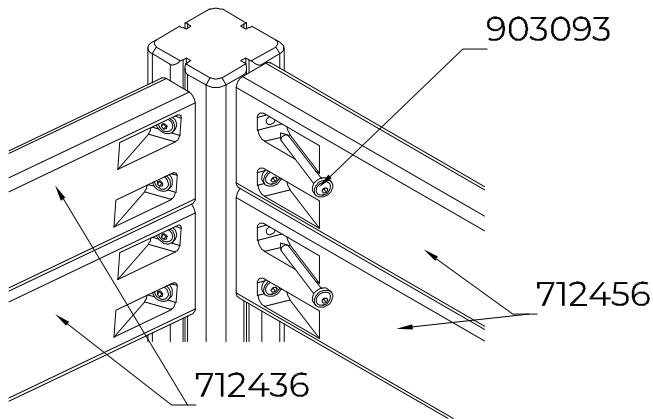
DET 1



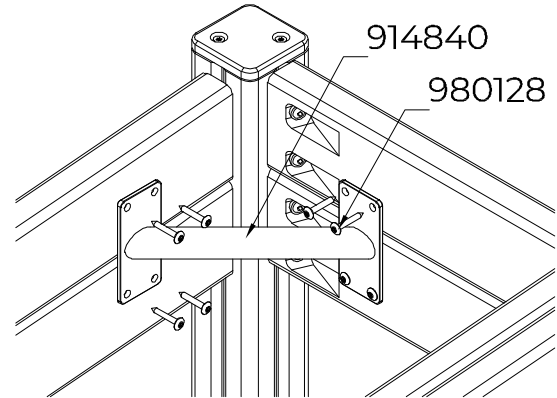
DET 2



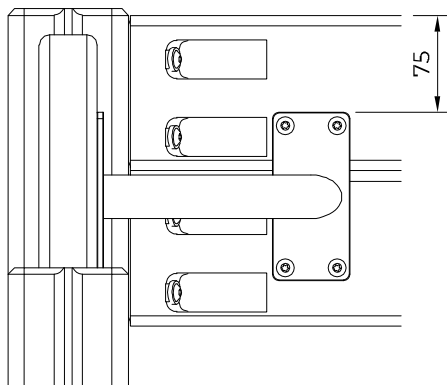
DET 3



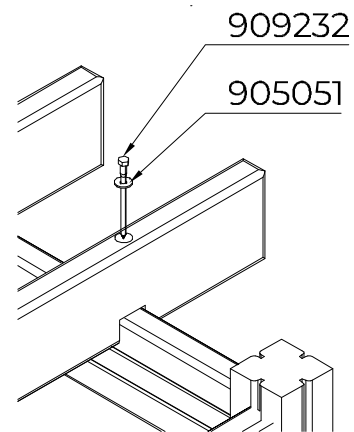
DET 4



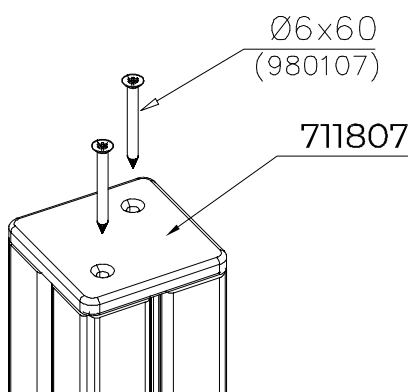
DET 5



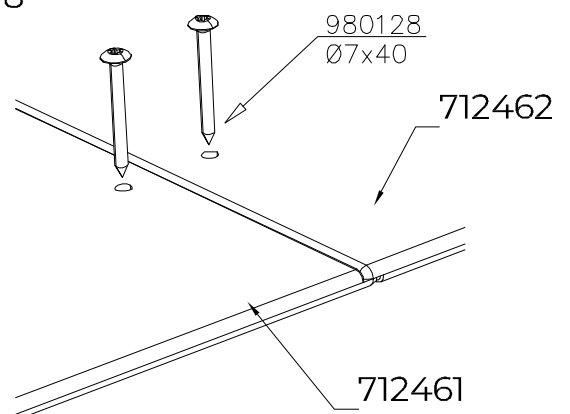
DET 6

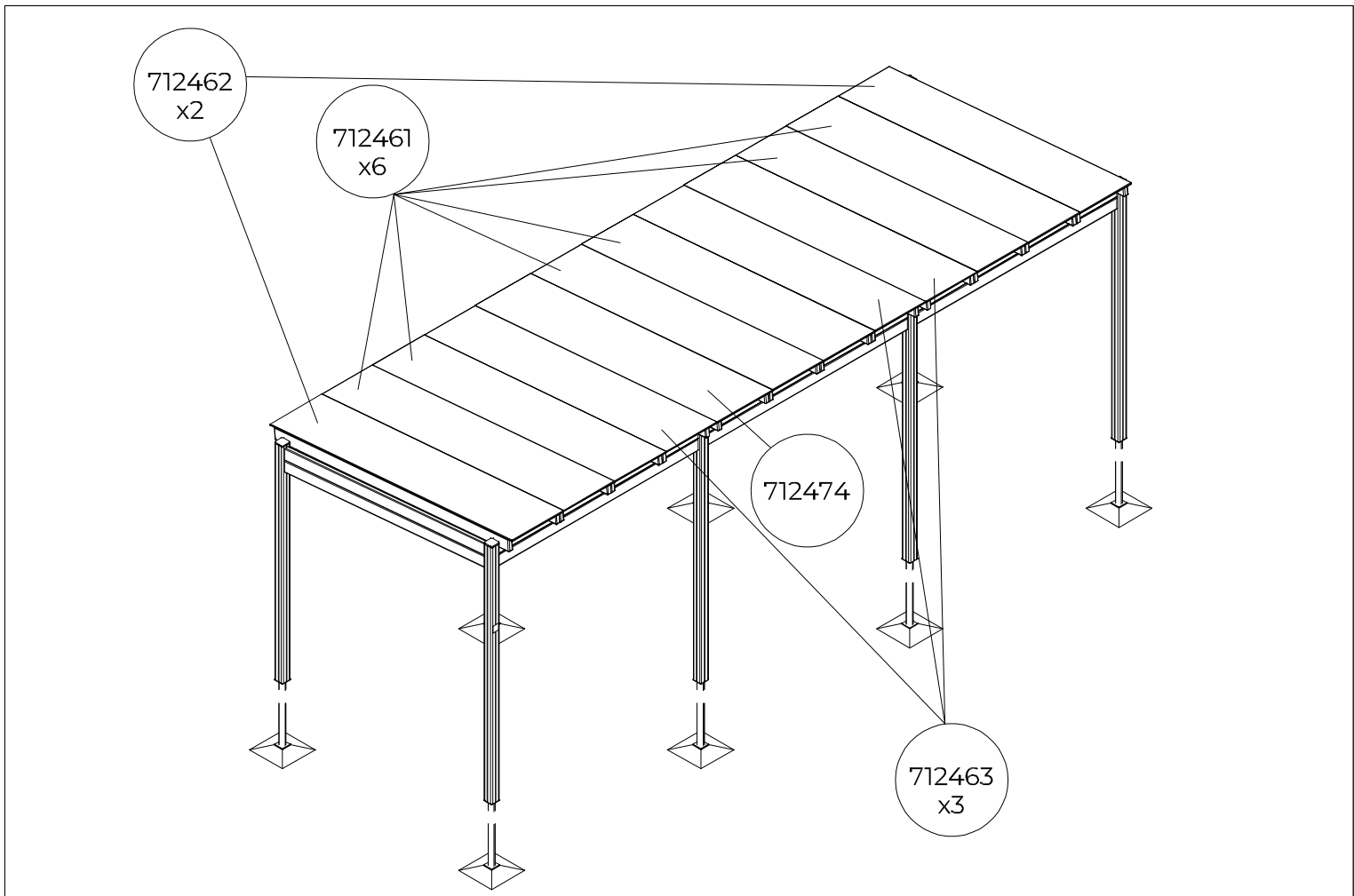
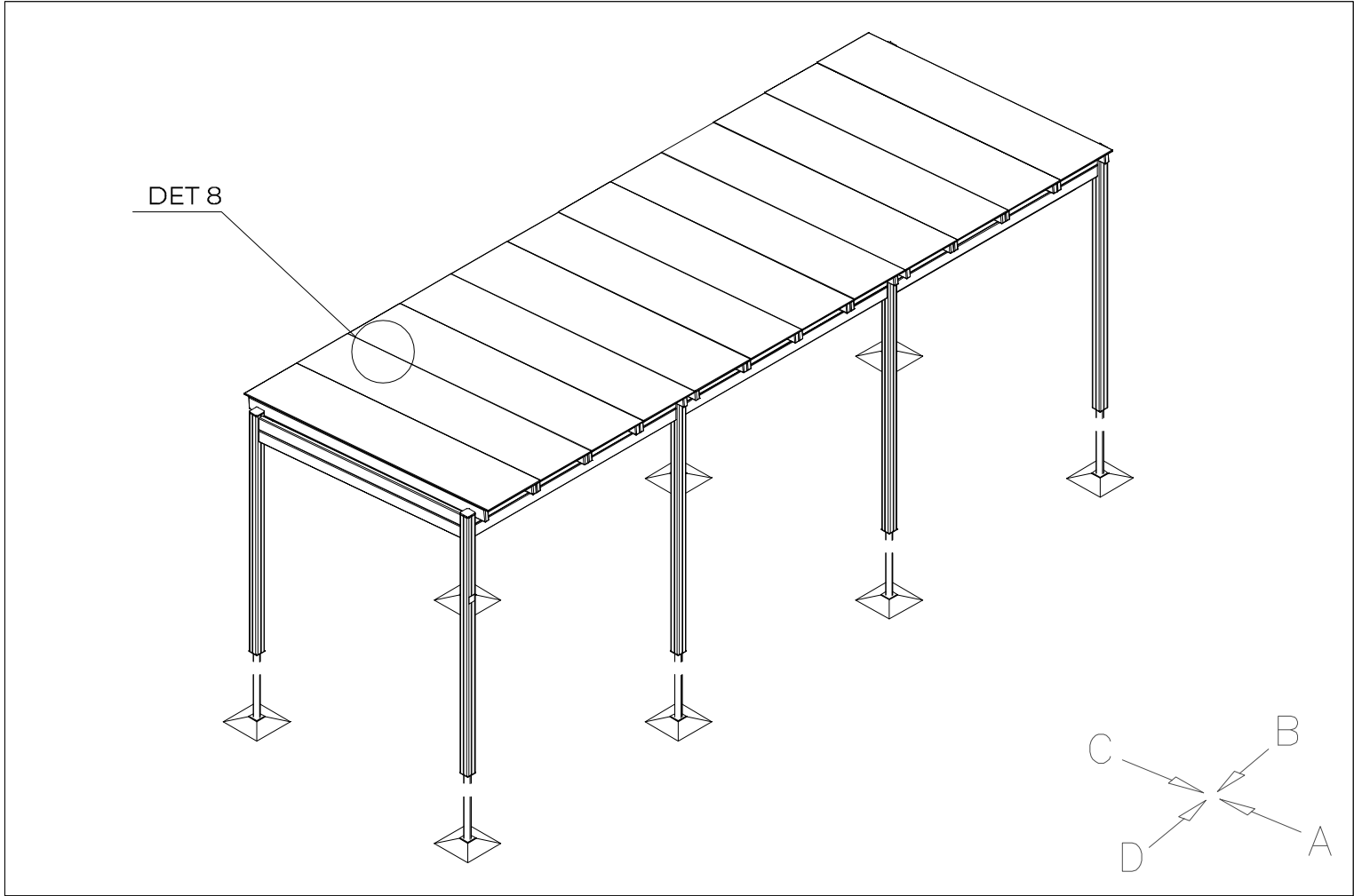


DET 7



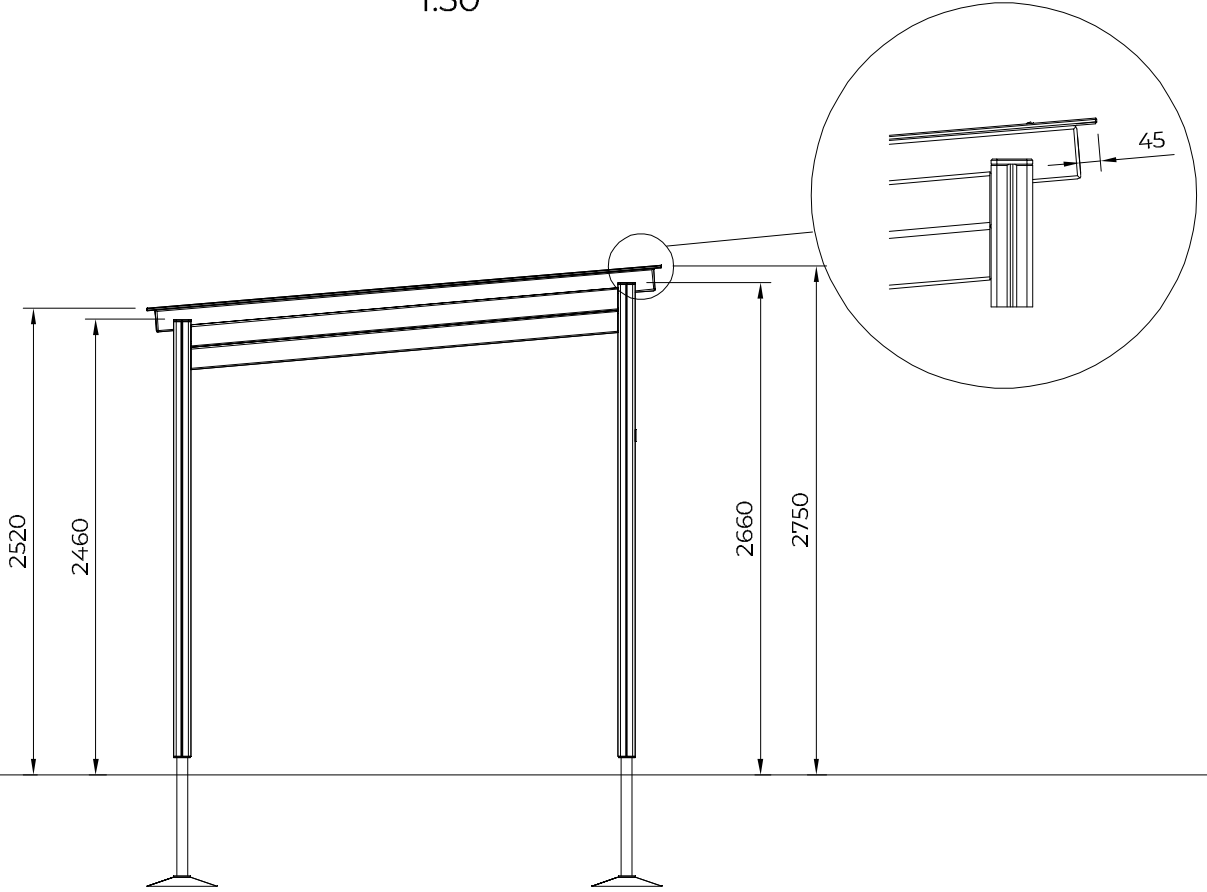
DET 8



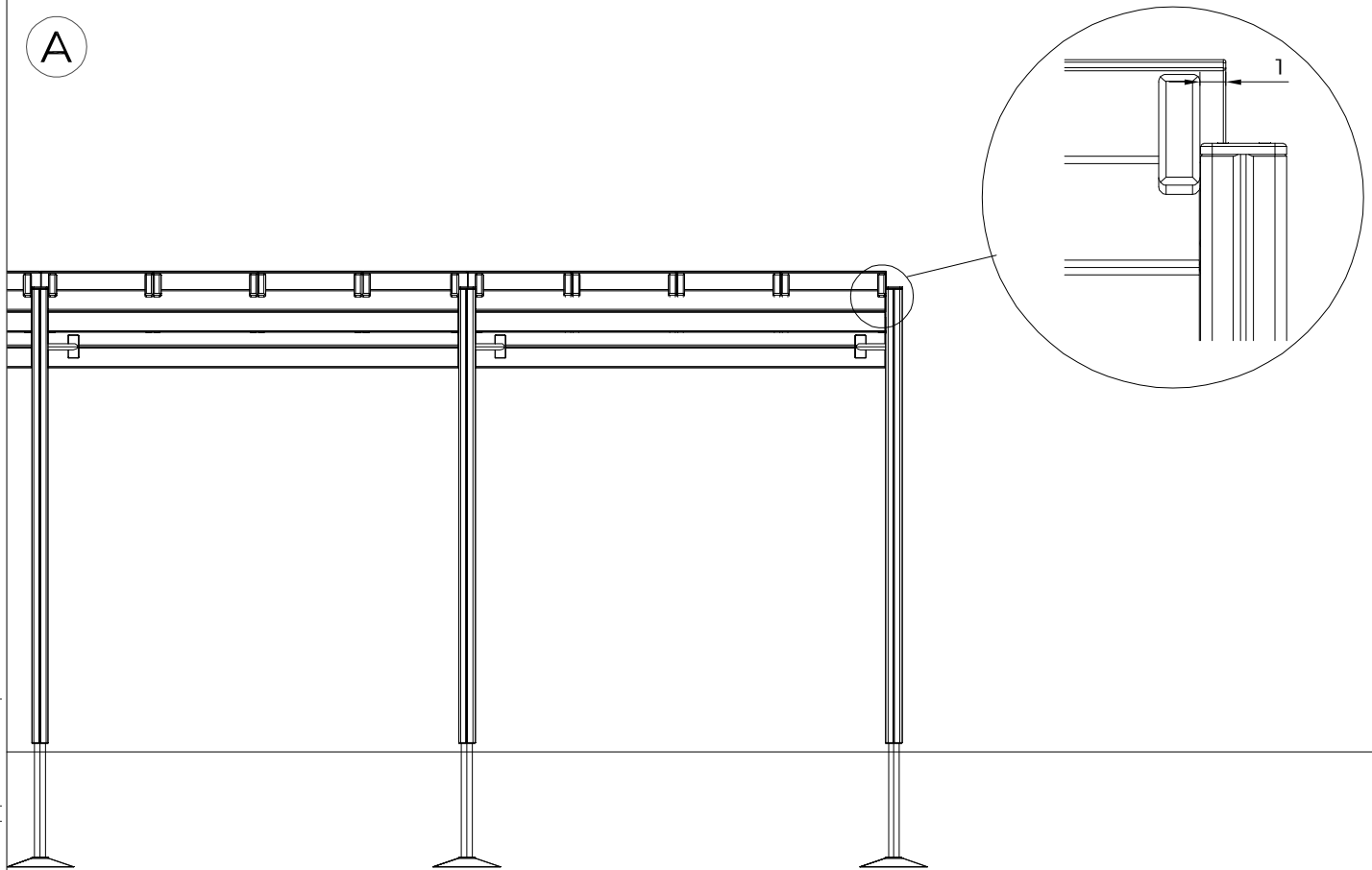


1:50

D



A



Start installing/positioning the roof plates from the middle towards the ends. Ensure that plate holes are align with the beams before final fixing. Pre-drill $\text{\O}5$ mm holes through the roof plate holes to the roof beams.

