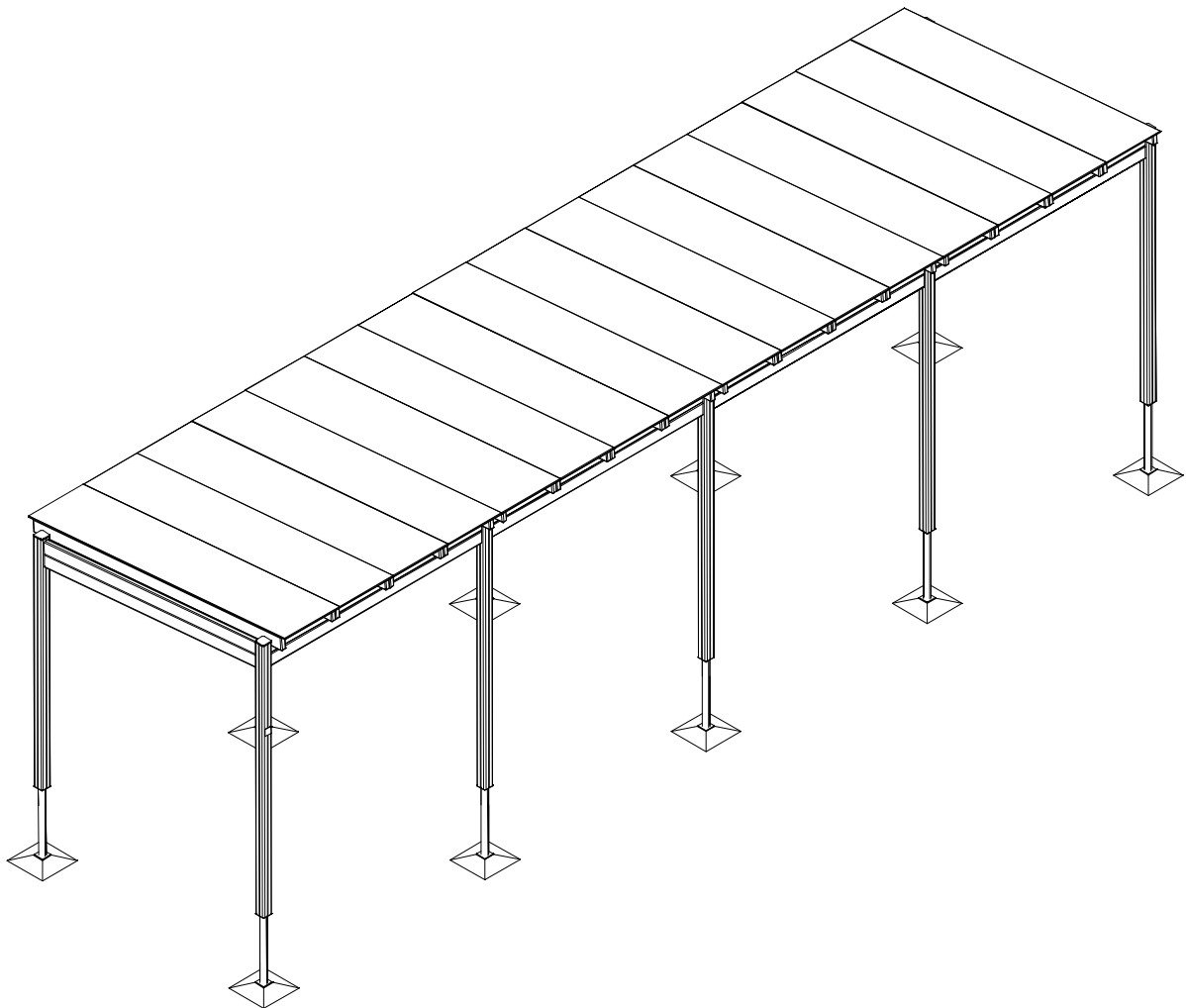
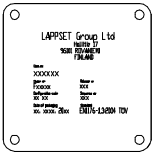
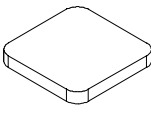
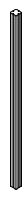

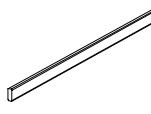

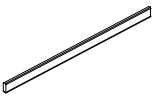

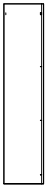
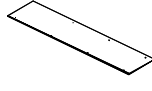
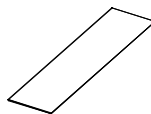
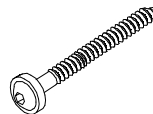
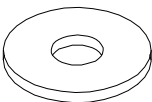
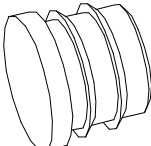

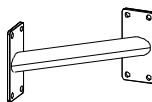
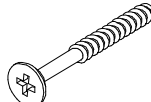
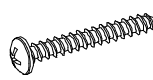
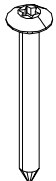


ASENNUSOHJE MONTERINGSANSVISNING INSTALLATION INSTRUCTION AUFBAUANLEITUNG NOTICE D'INSTALLATION

DATE: 28.1.2026

071104M



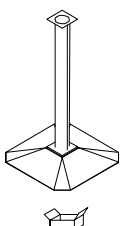

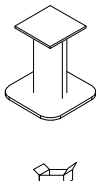
<p>702286</p>  <p>65x65</p>	<p>PCS</p> <p>1</p>	<p>711807</p>  <p>12x93x93</p>	<p>PCS</p> <p>10</p>	<p>712039</p>  <p>L 2350</p>	<p>PCS</p> <p>5</p>	<p>712041</p>  <p>L 2550</p>	<p>PCS</p> <p>5</p>	<p>712436</p>  <p>45x120x2315</p>	<p>PCS</p> <p>16</p>	<p>712448</p>  <p>L 2900</p>	<p>PCS</p> <p>32</p>
<p>712456</p>  <p>45x120x2334</p>	<p>PCS</p> <p>10</p>	<p>712461</p>  <p>12x598x2790</p>	<p>PCS</p> <p>8</p>	<p>712462</p>  <p>12x598x2790</p>	<p>PCS</p> <p>2</p>	<p>712463</p>  <p>12x598x2790</p>	<p>PCS</p> <p>4</p>	<p>712474</p>  <p>12x643x2790</p>	<p>PCS</p> <p>2</p>	<p>903093</p>  <p>Ø8x90</p>	<p>PCS</p> <p>104</p>
<p>905051</p>  <p>Ø24/8.4</p>	<p>PCS</p> <p>64</p>	<p>905066</p>  <p>S30H</p>	<p>PCS</p> <p>64</p>	<p>909232</p>  <p>8x120</p>	<p>PCS</p> <p>64</p>	<p>914840-510</p>  <p>50x130x275</p>	<p>PCS</p> <p>10</p>	<p>980107</p>  <p>Ø6 x 60</p>	<p>PCS</p> <p>20</p>	<p>980114</p>  <p>Ø4x20</p>	<p>PCS</p> <p>4</p>
<p>980128</p>  <p>Ø7x40</p>	<p>PCS</p> <p>208</p>		<p>PCS</p>		<p>PCS</p>		<p>PCS</p>		<p>PCS</p>	<p>PCS</p>	
	<p>PCS</p>		<p>PCS</p>		<p>PCS</p>		<p>PCS</p>		<p>PCS</p>		<p>PCS</p>

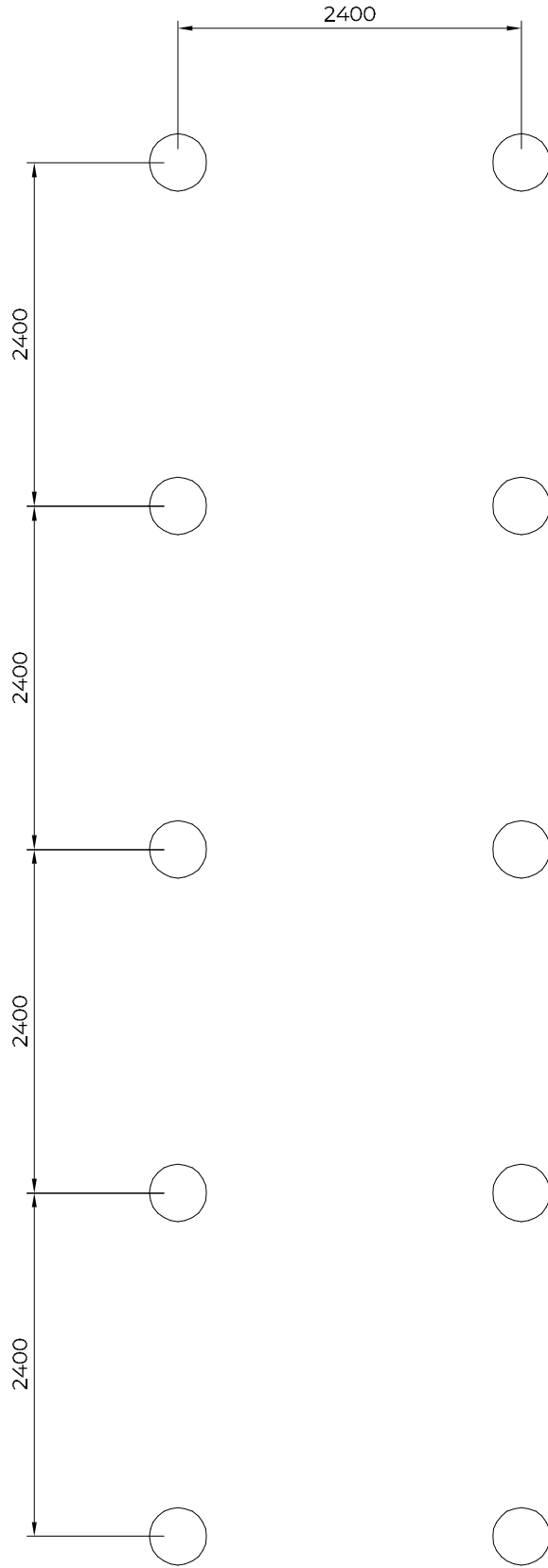
FOOT OPTIONS

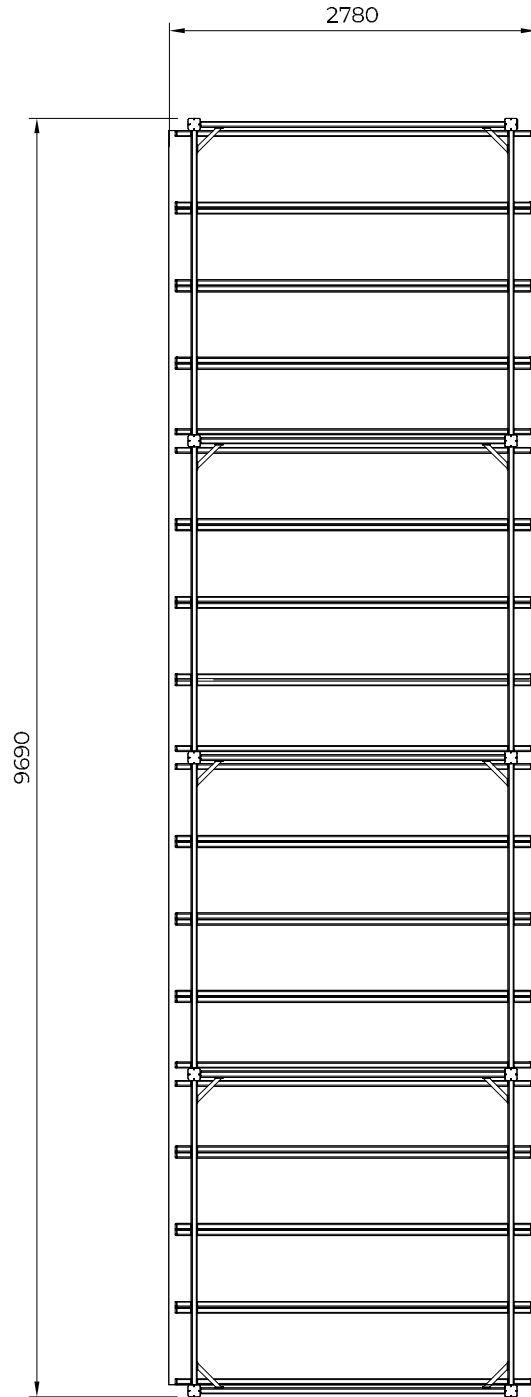
DEEP

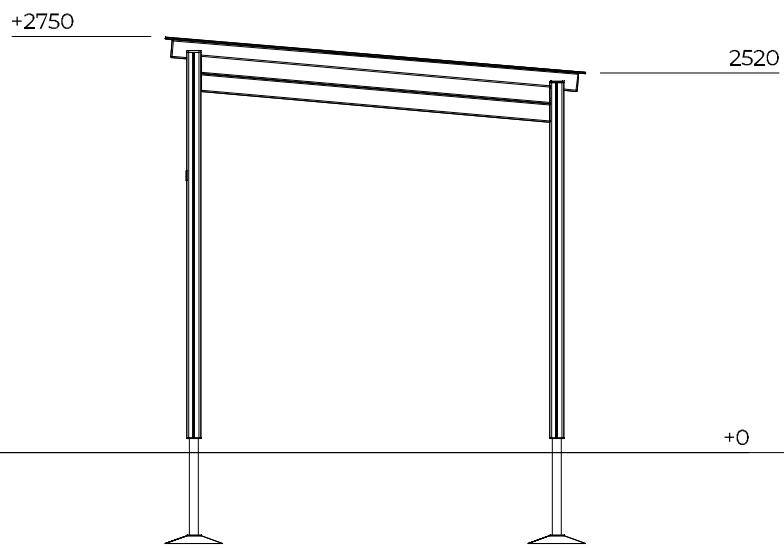
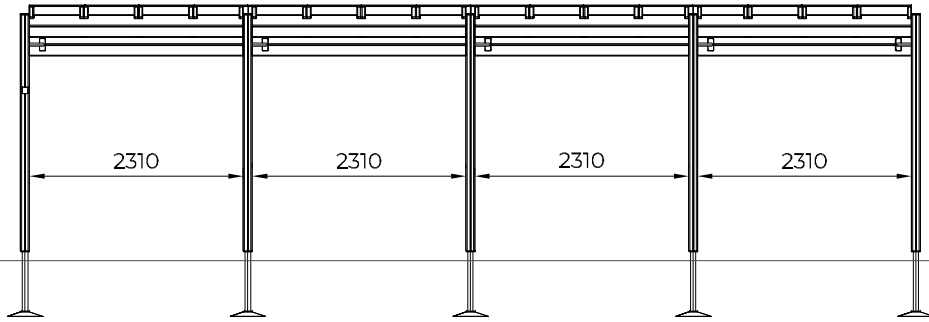
CONCRETE

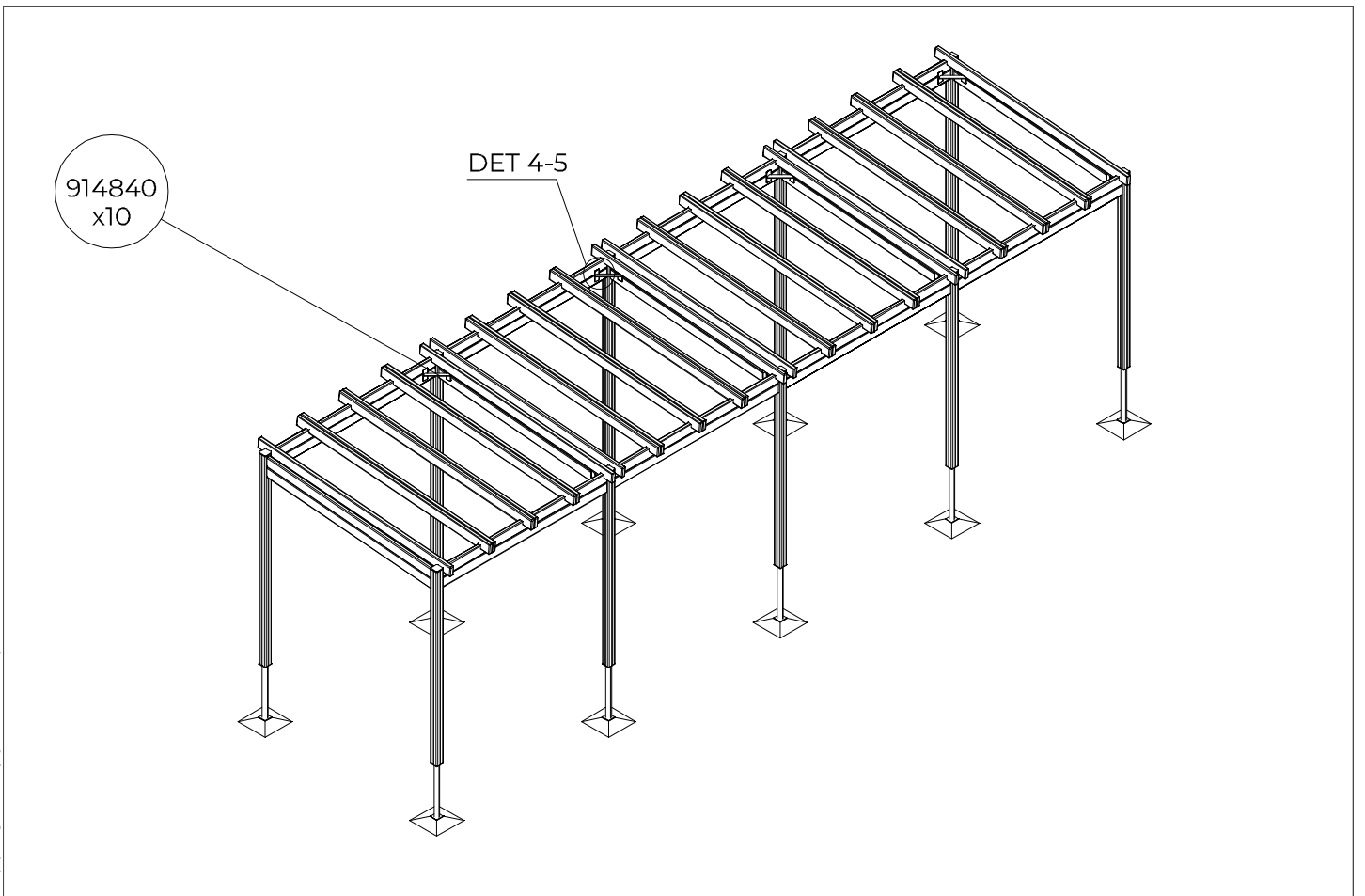
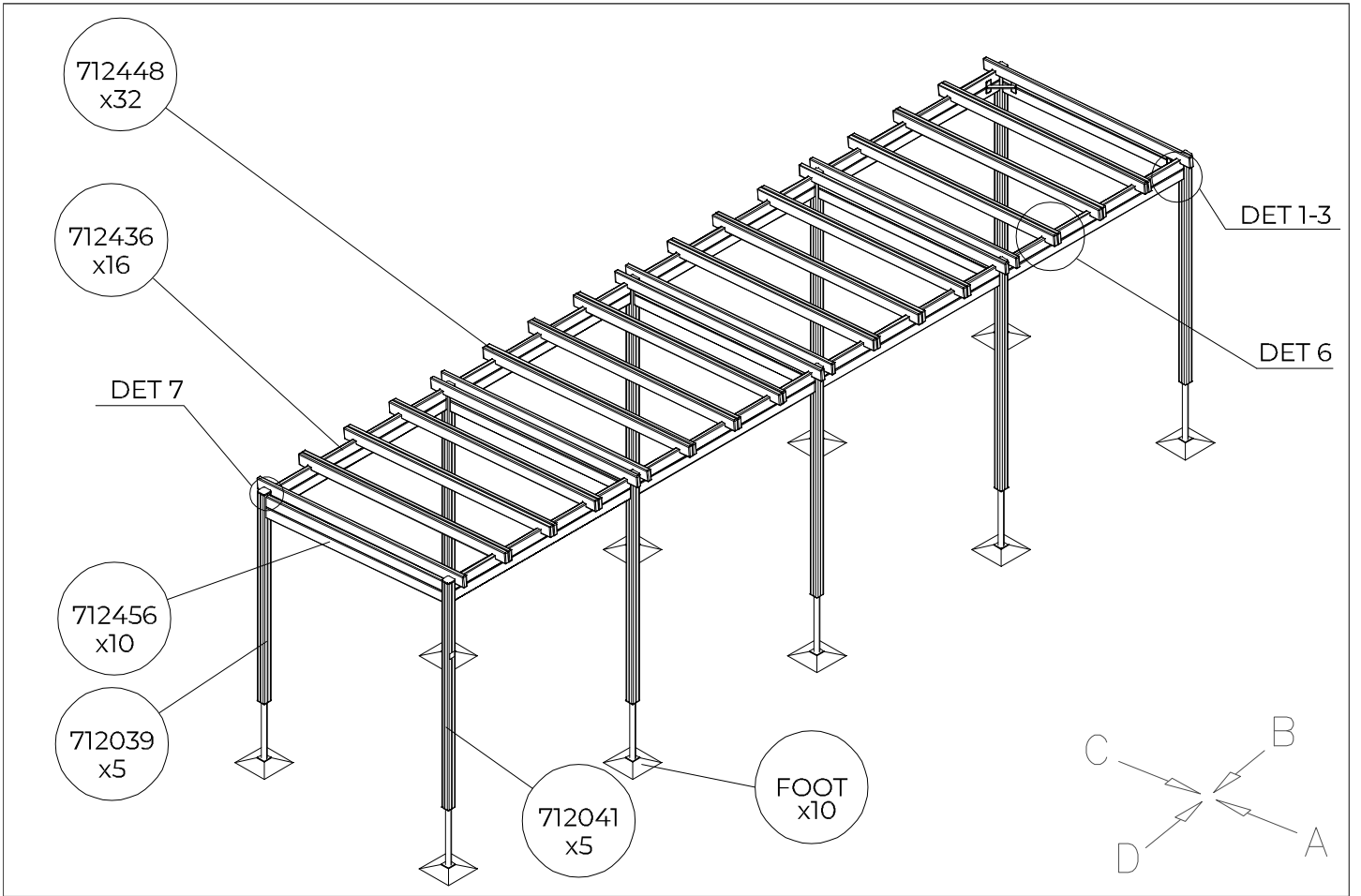
SURFACE

<p>712889</p> 	<p>PCS</p> <p>10</p>		<p>PCS</p>	<p>903441</p> 	<p>PCS</p> <p>10</p>		<p>PCS</p>	<p>712890</p> 	<p>PCS</p> <p>10</p>		<p>PCS</p>
---	----------------------	--	------------	---	----------------------	--	------------	---	----------------------	--	------------



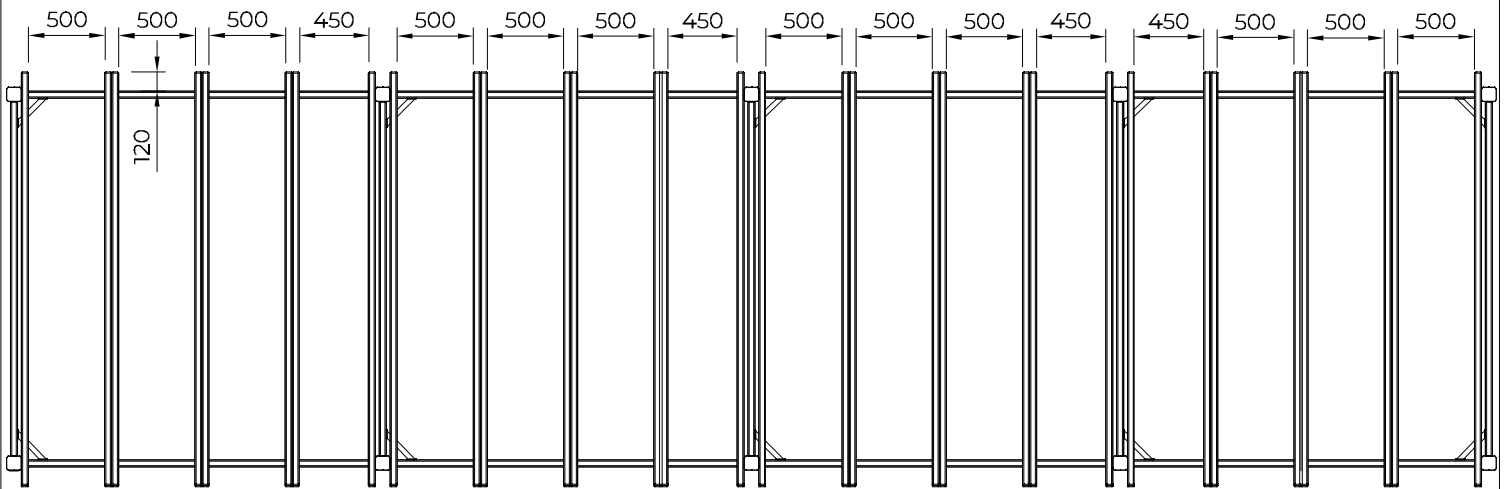
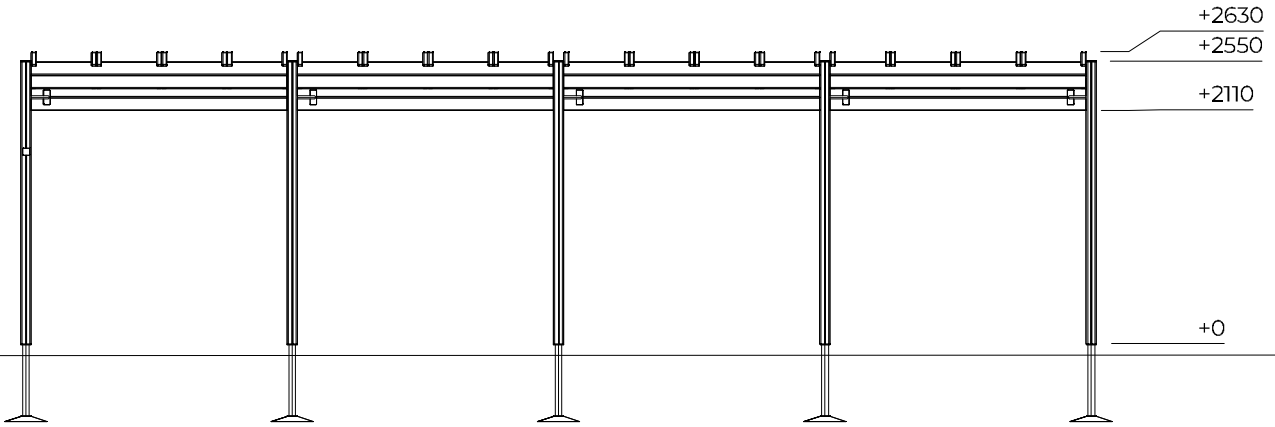




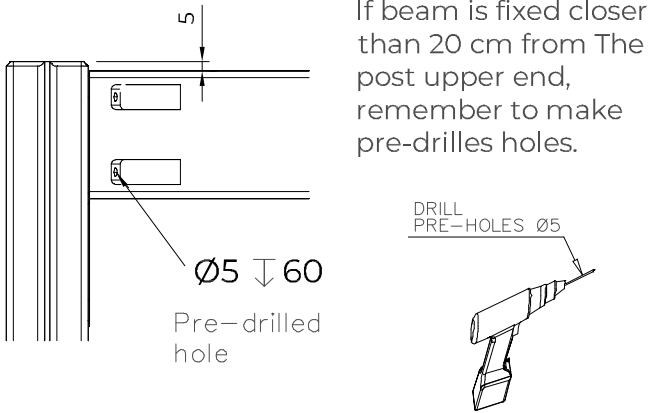


A

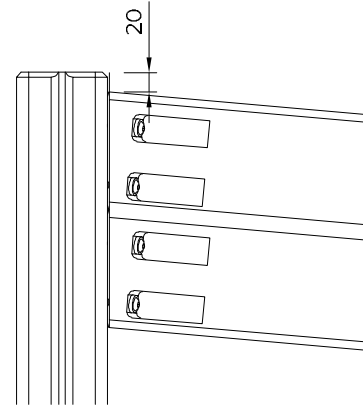
1:50



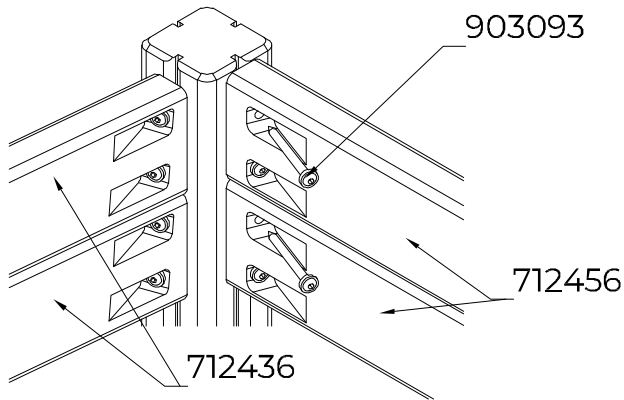
DET 1



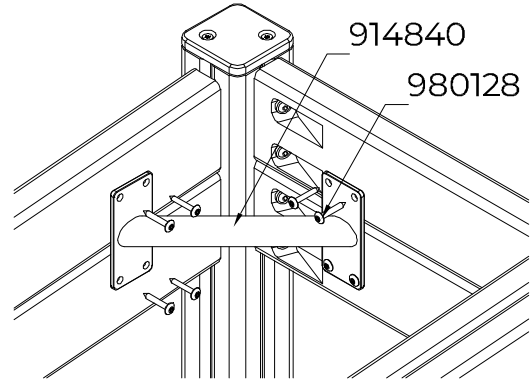
DET 2



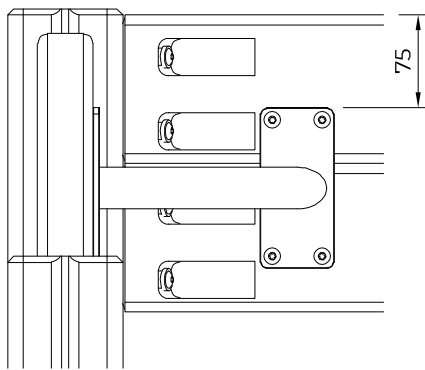
DET 3



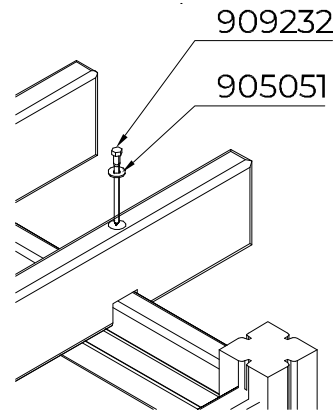
DET 4



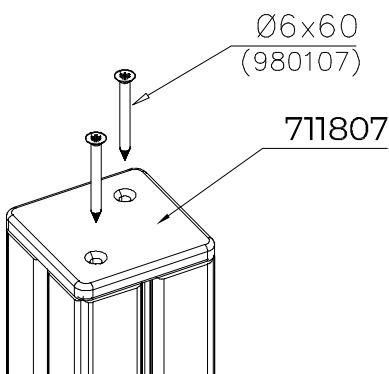
DET 5



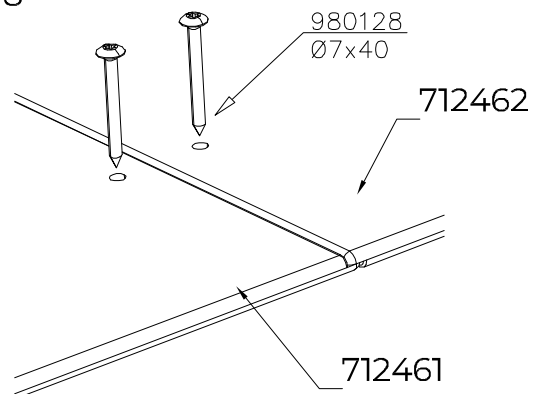
DET 6

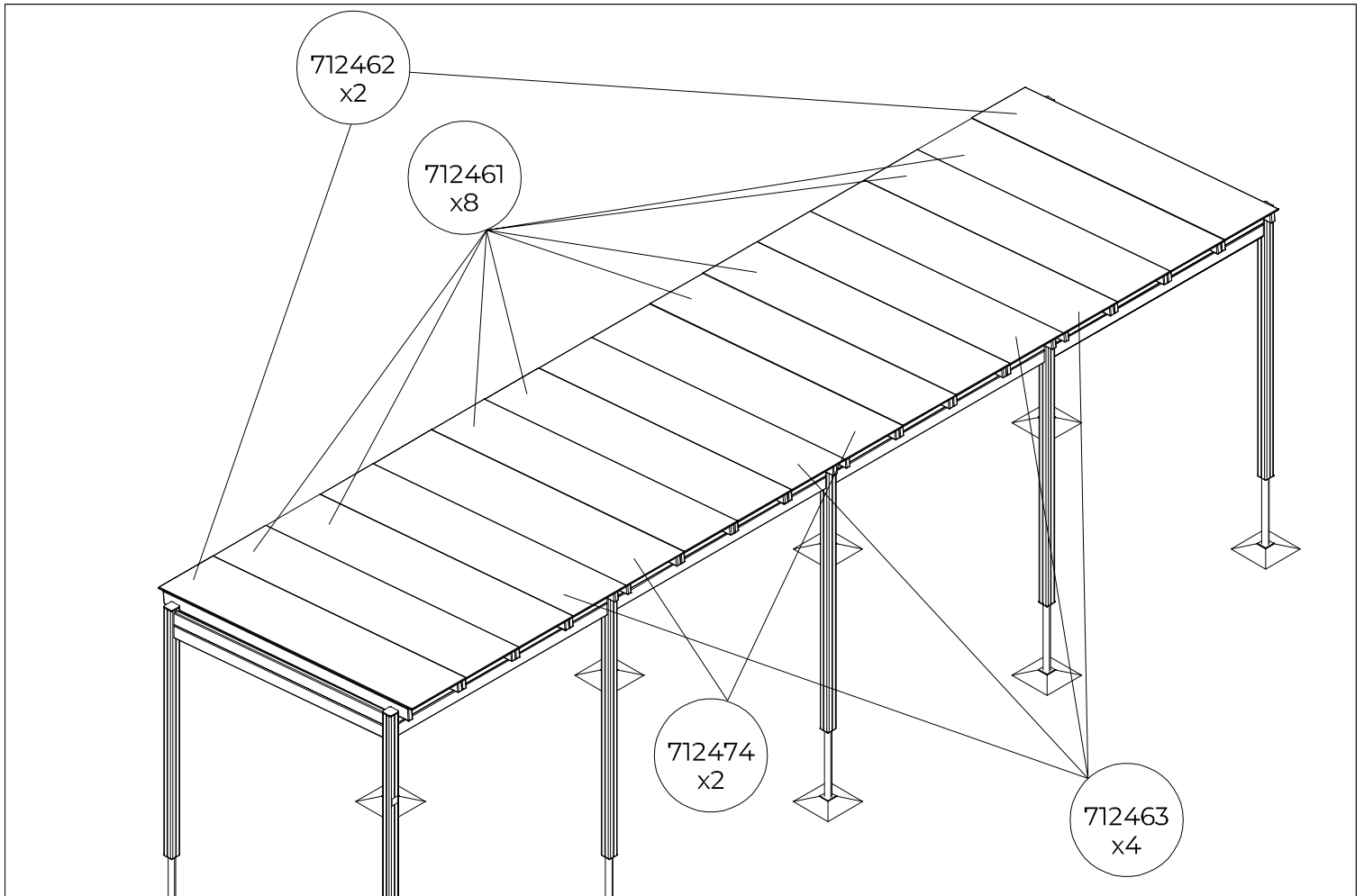
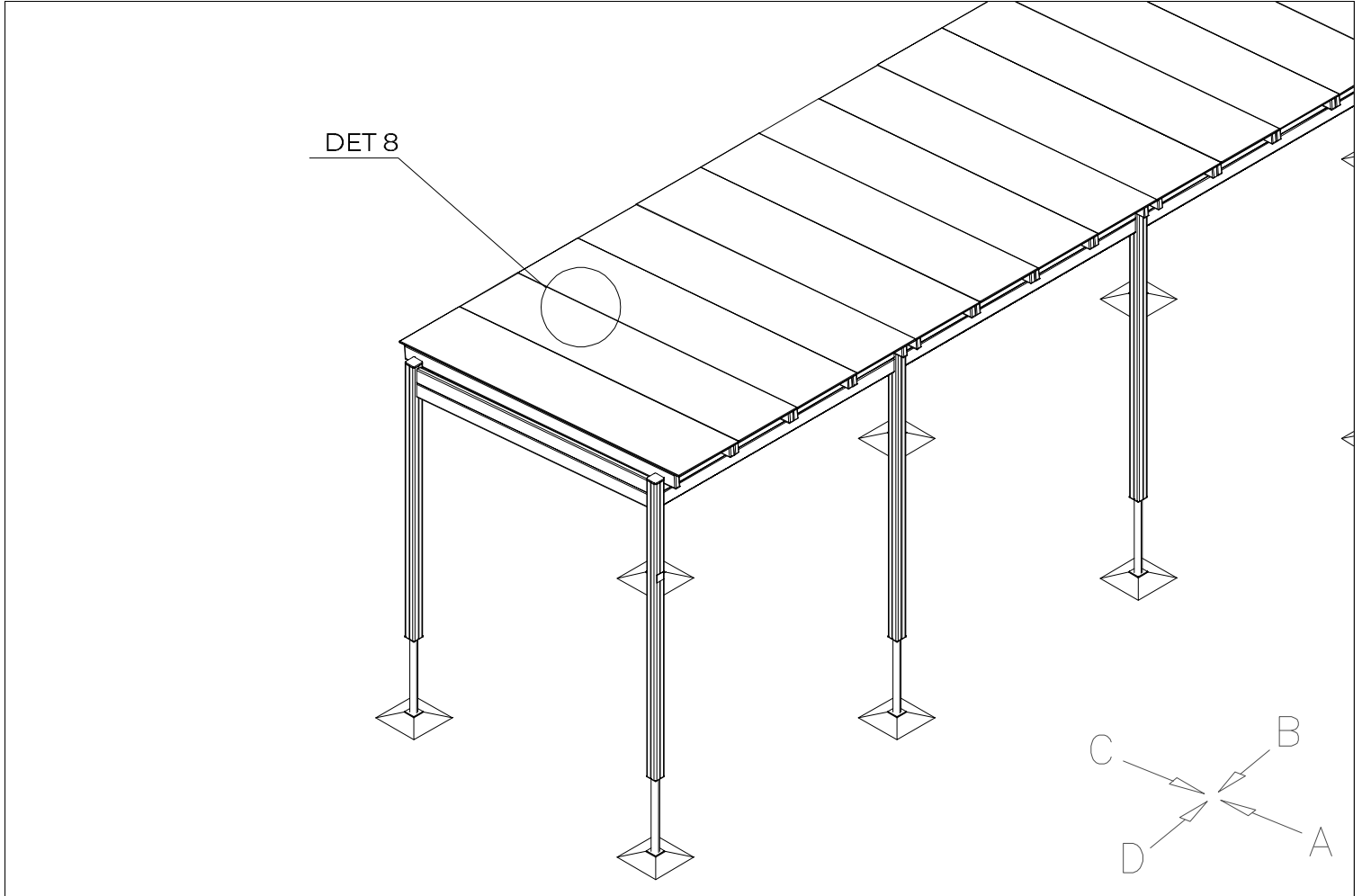


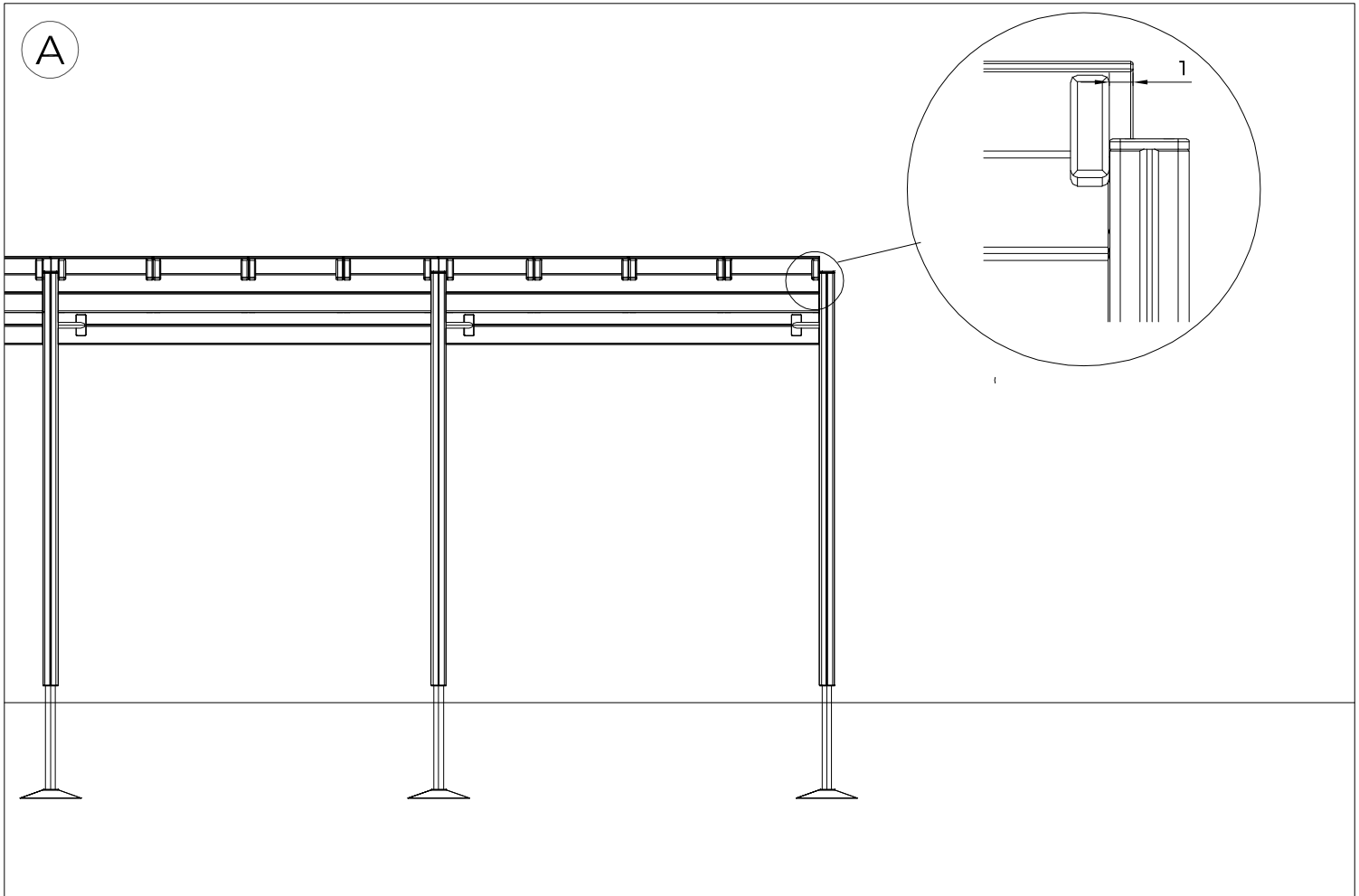
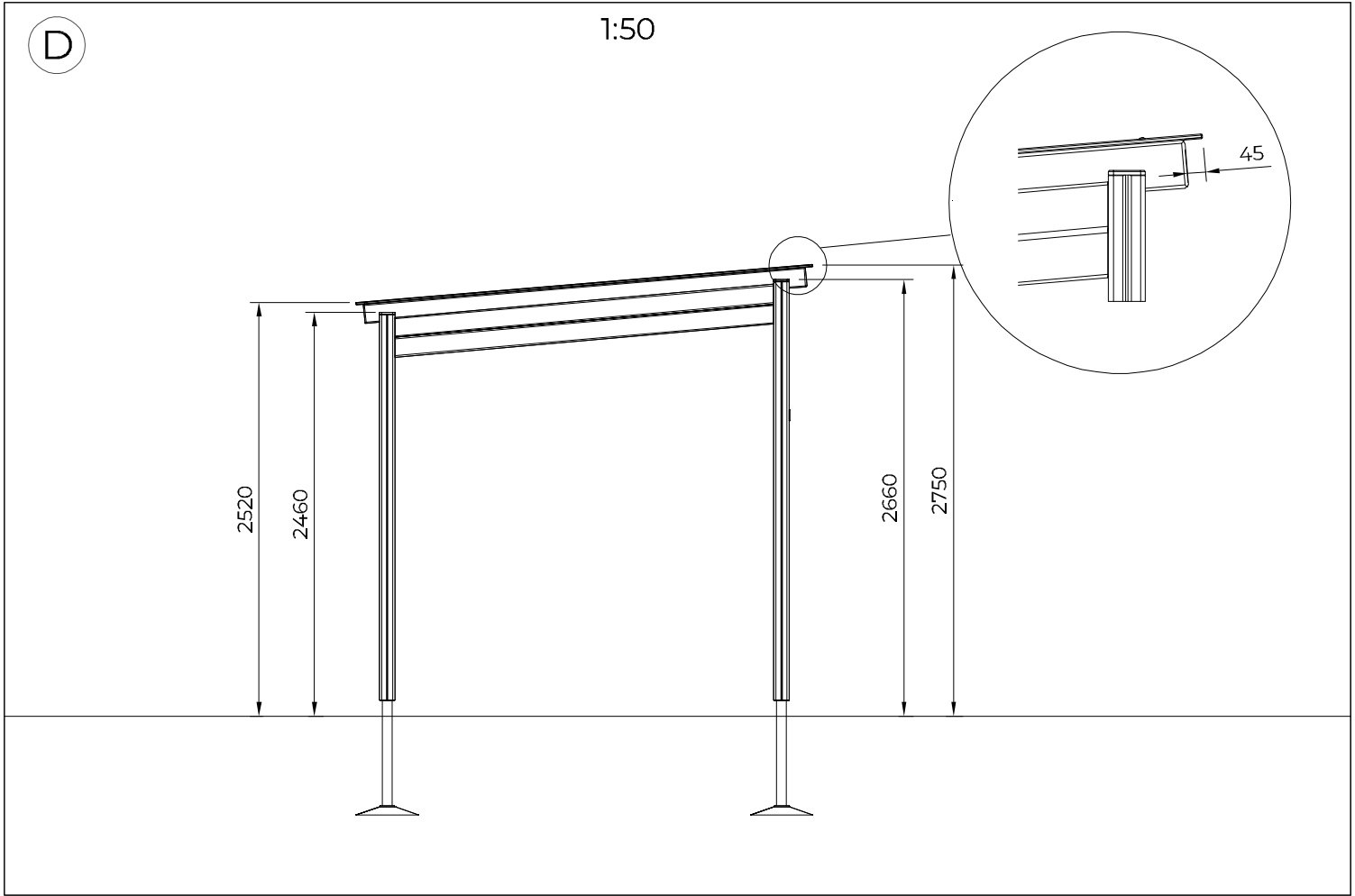
DET 7



DET 8







Start installing/positioning the roof plates from the middle towards the ends.
Ensure that plate holes are align with the beams before final fixing. Pre-drill $\varnothing 5$ mm holes through the roof plate holes to the roof beams.

