

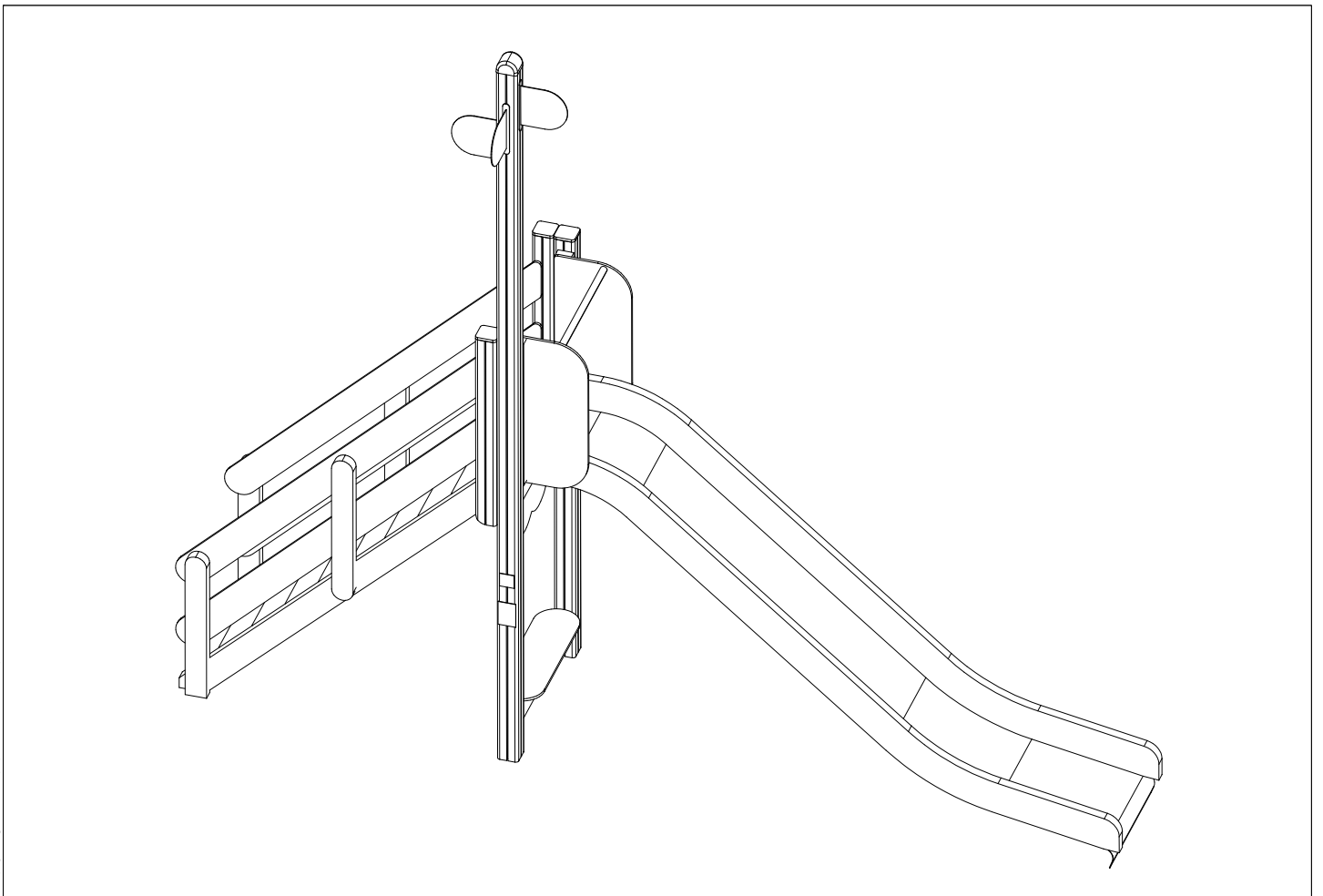


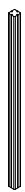

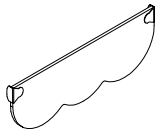

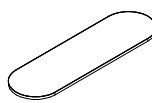

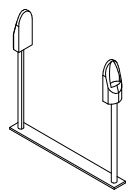

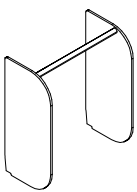


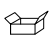
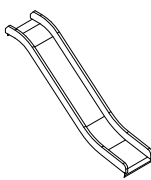



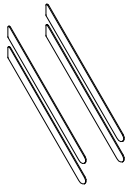

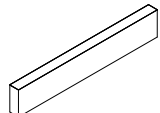

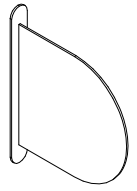

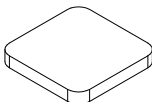
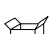
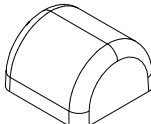
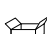
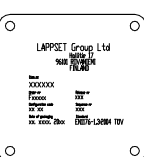

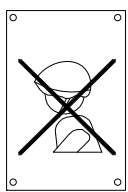

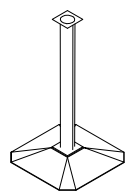
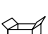
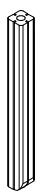
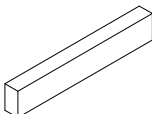

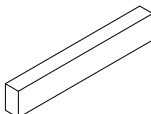

PRIME

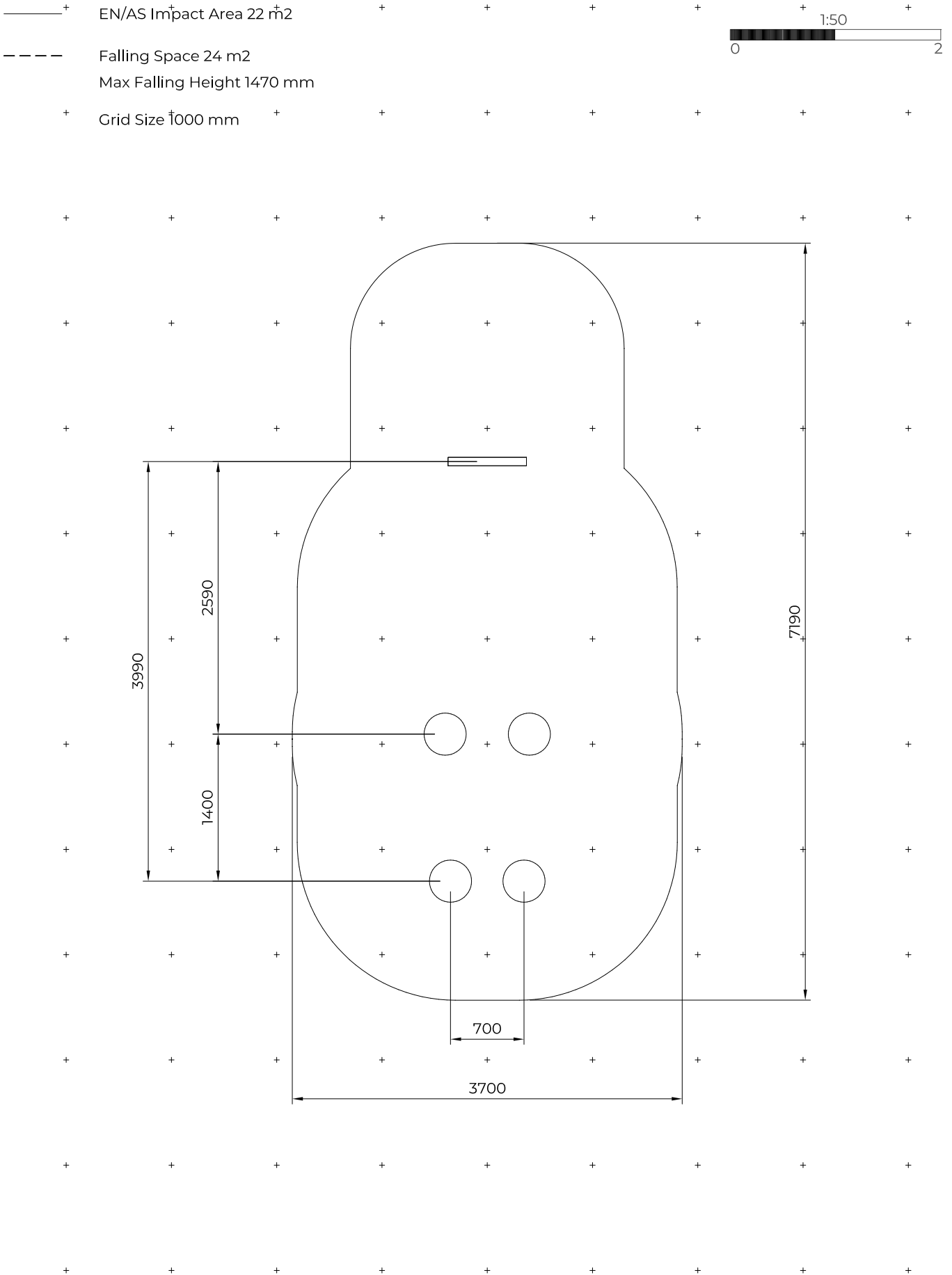
ASENNUSOHJE
MONTERINGSANSVISNING
INSTALLATION INSTRUCTION
AUFBAUANLEITUNG
NOTICE D'INSTALLATION

DATE: 1.10.2025

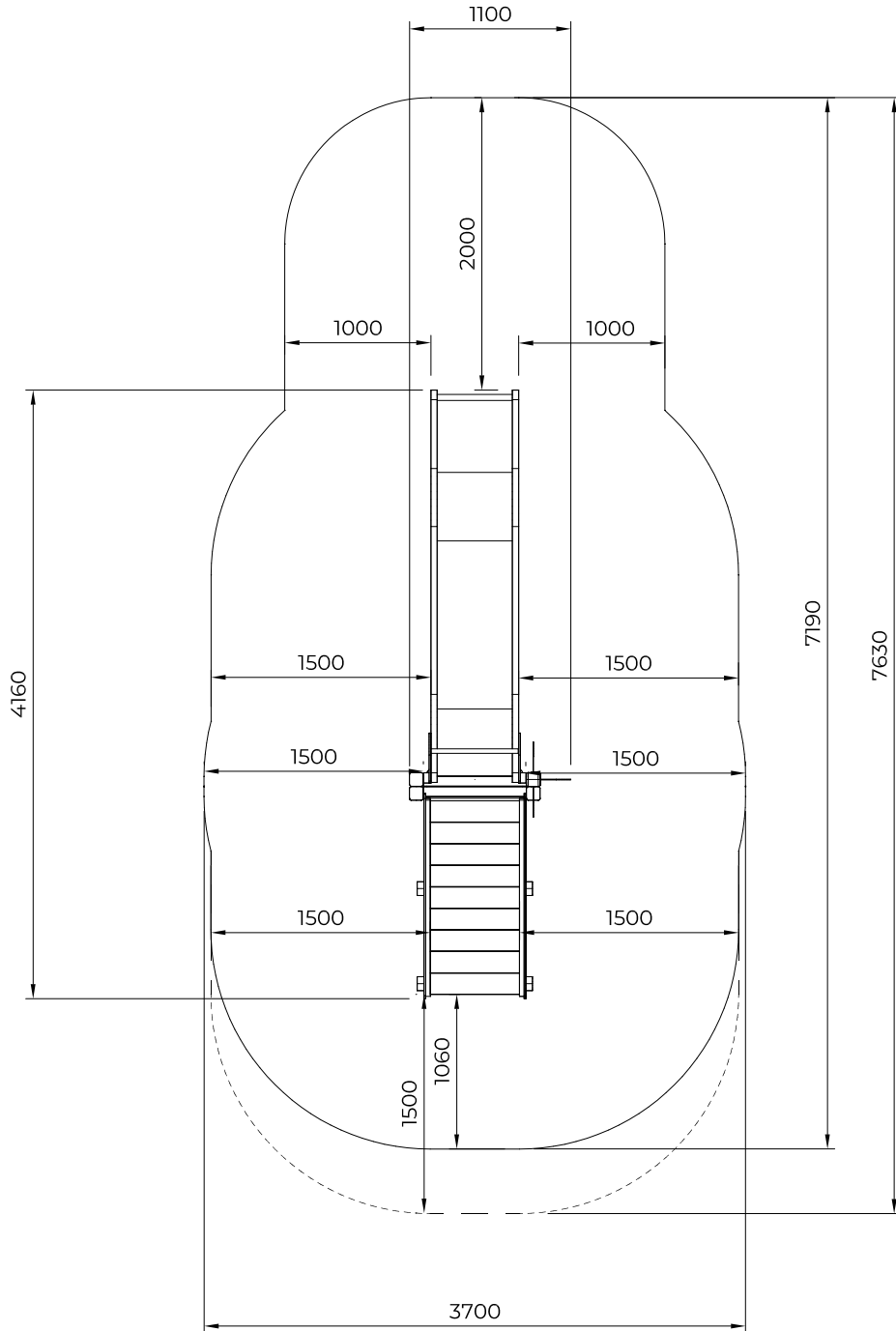
F24011M

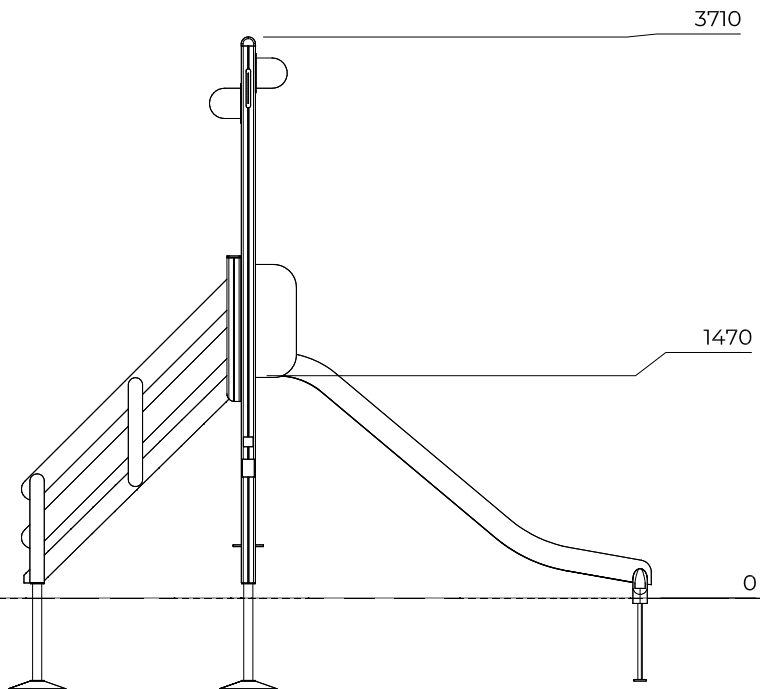
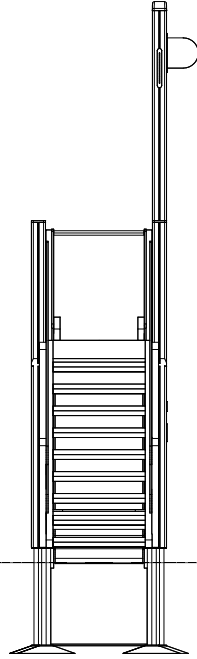


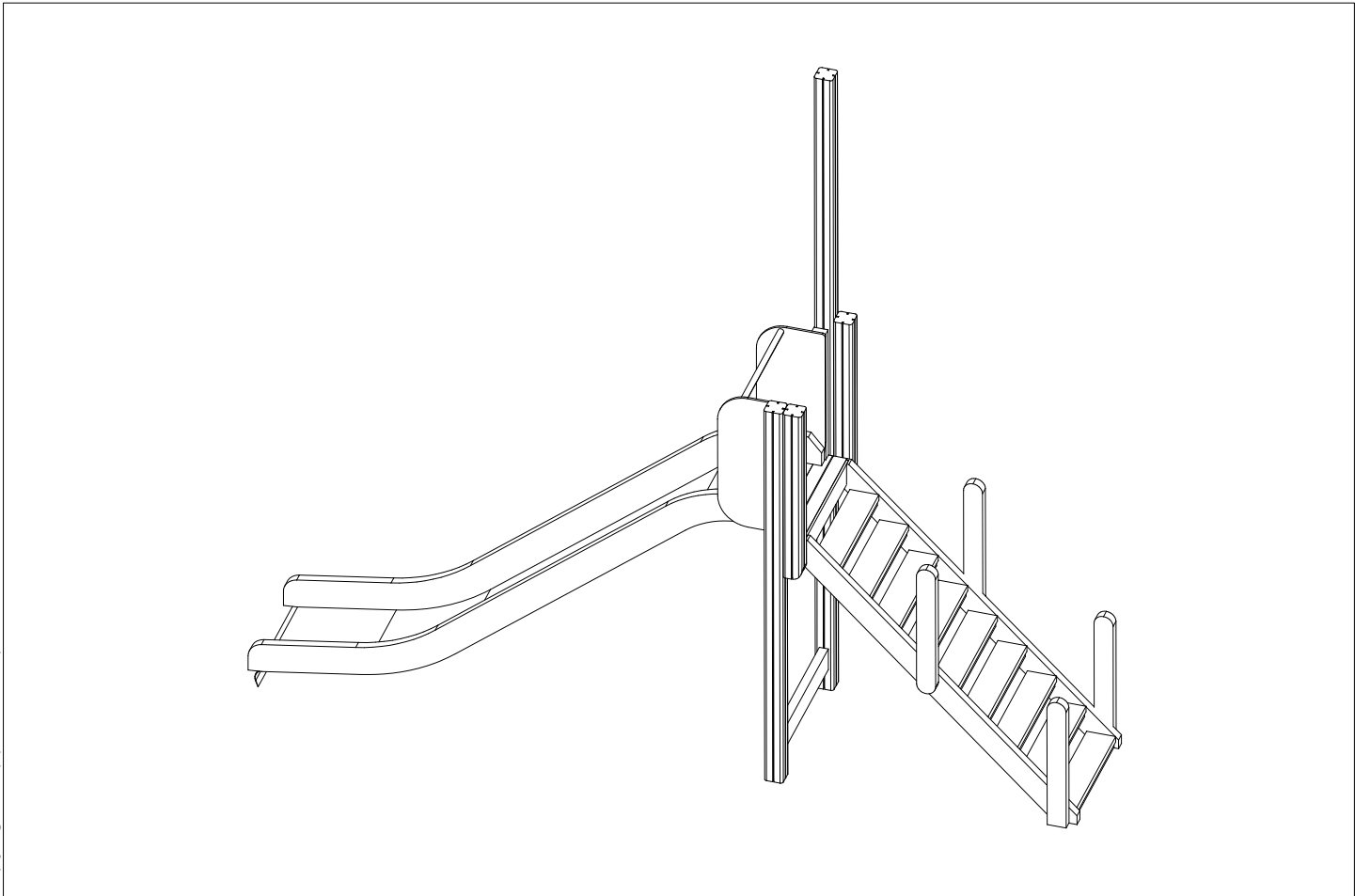
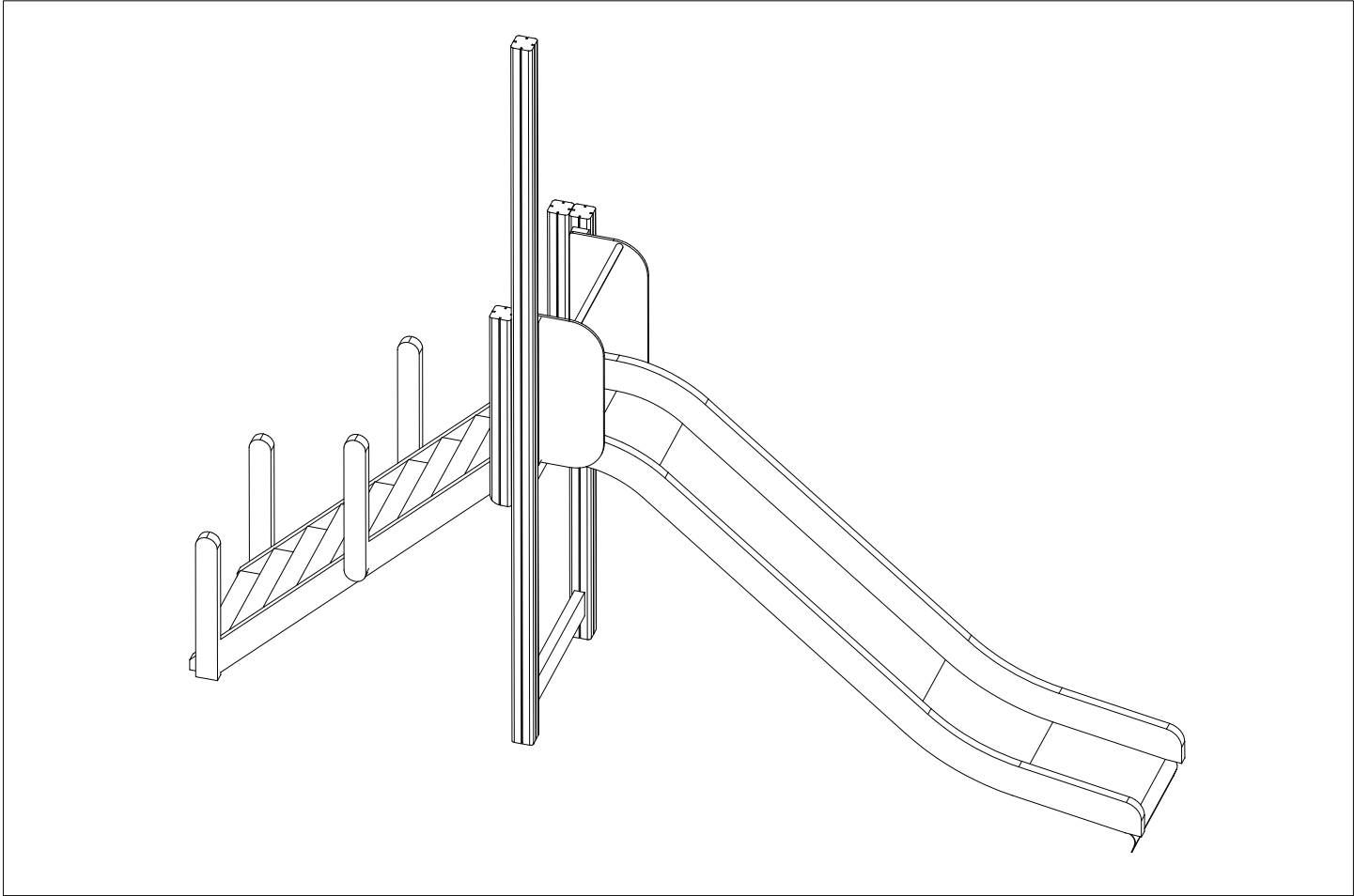
712037  L 2150	PCS 1	712051  L 3550	PCS 1	712434  	PCS 1	712458  	PCS 1	712497  	PCS 1	712499  	PCS 1
712501  	PCS 1	712522  +1470 	PCS 1	712540  +1470 	PCS 1	712545  +1470 	PCS 1	712747  L 704 	PCS 1	712751  	PCS 3
712760  	PCS 3	712788  	PCS 1	712797  	PCS 1	712798  	PCS 1	712889  L 700 	PCS 4	713006  L 950	PCS 2
713007  L 704 	PCS 1	713019  L 704 	PCS 1		PCS		PCS		PCS		PCS
	PCS		PCS		PCS		PCS		PCS		PCS
	PCS		PCS		PCS		PCS		PCS		PCS
	PCS		PCS		PCS		PCS		PCS		PCS

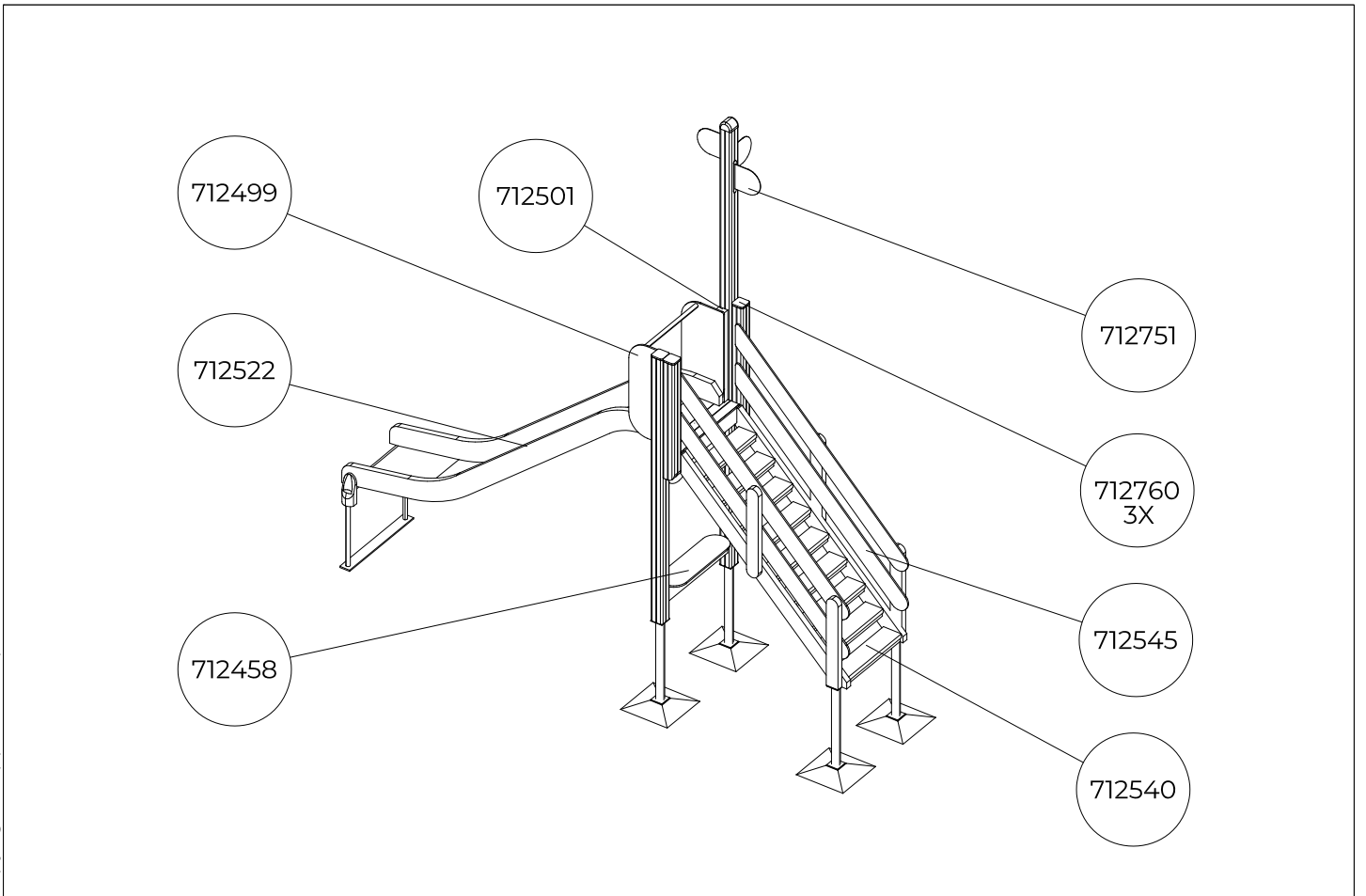
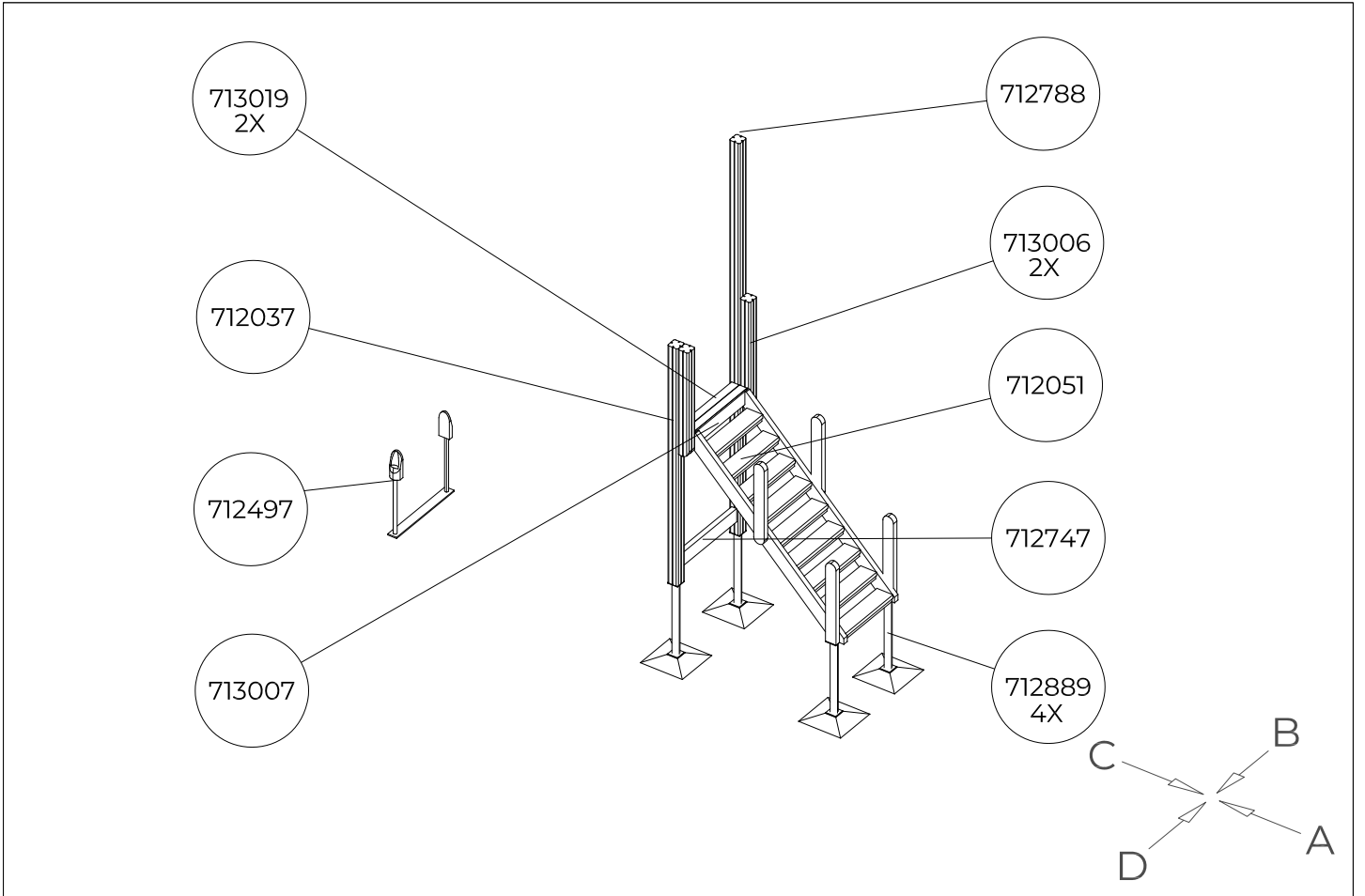


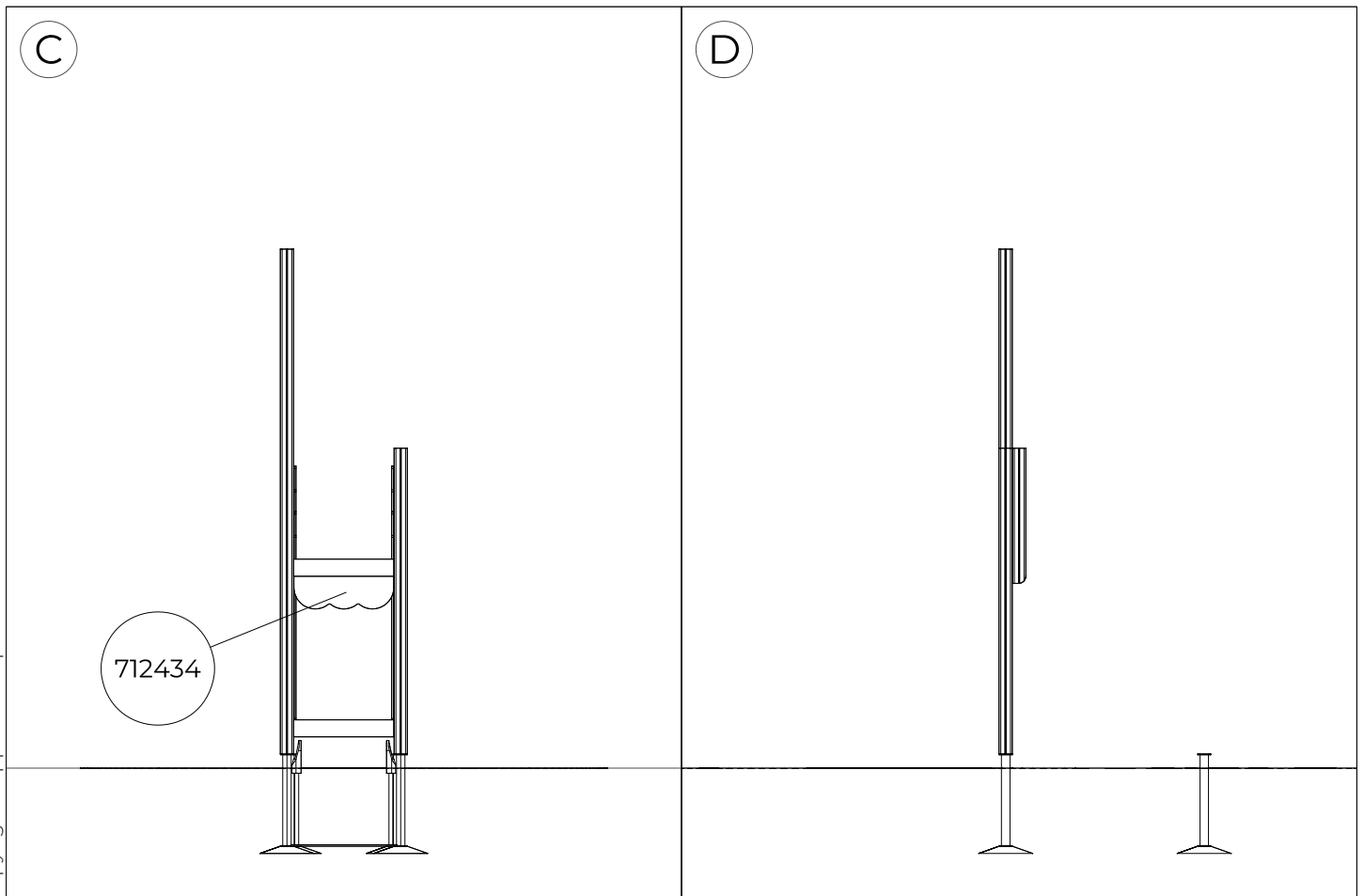
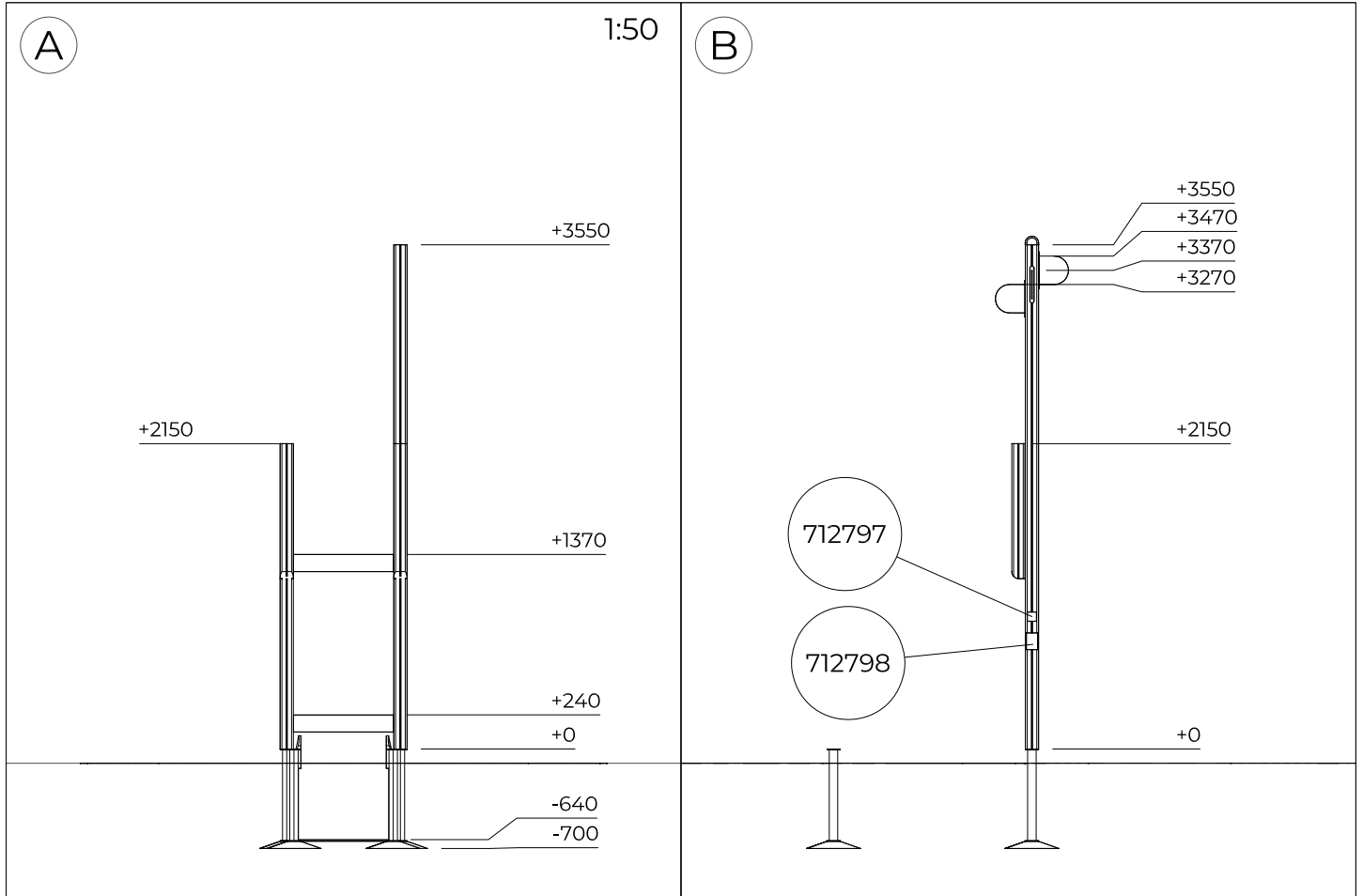
- EN/AS Impact Area 22 m²
- - - Falling Space 24 m²
Max Falling Height 1470 mm

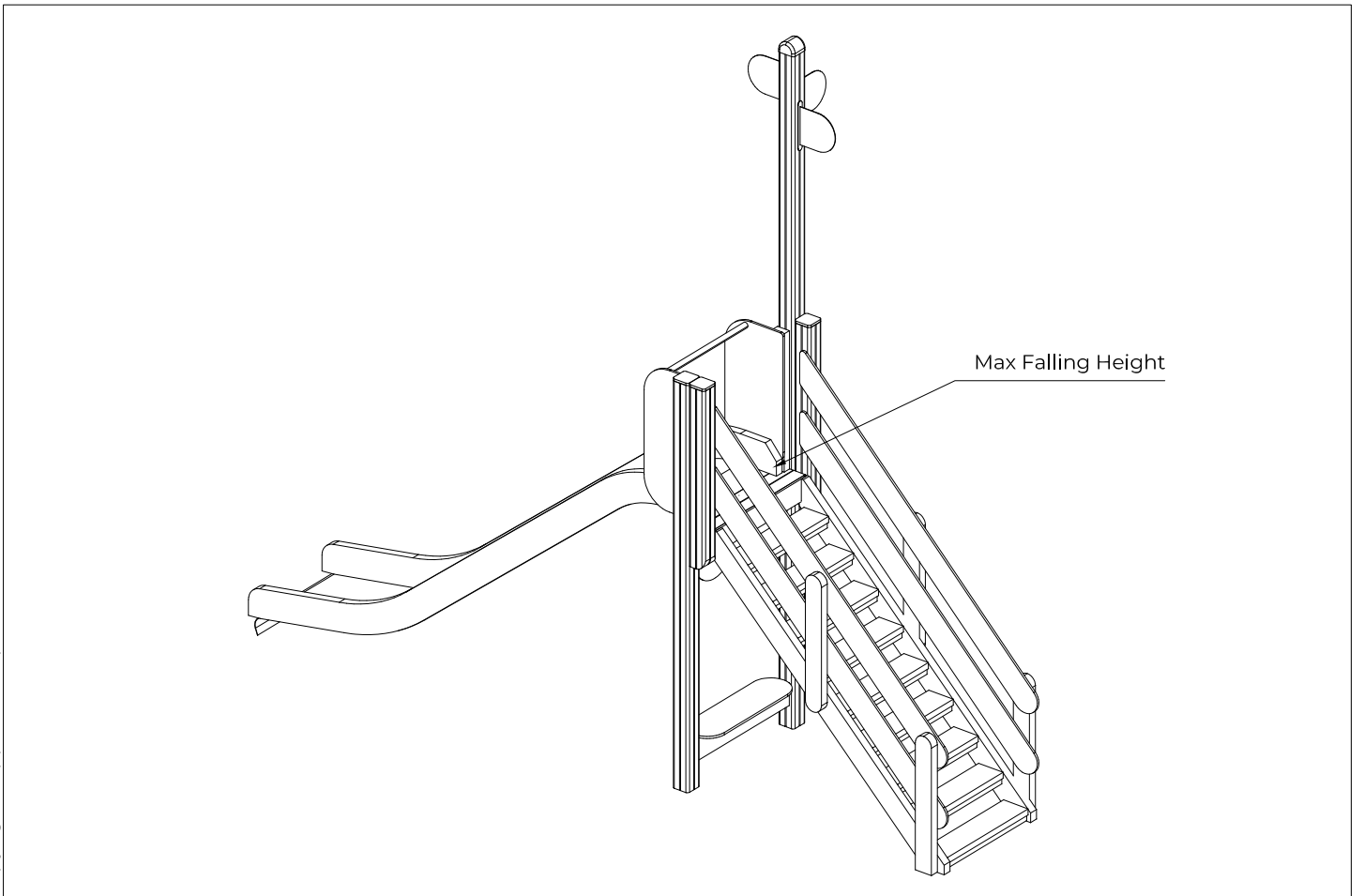
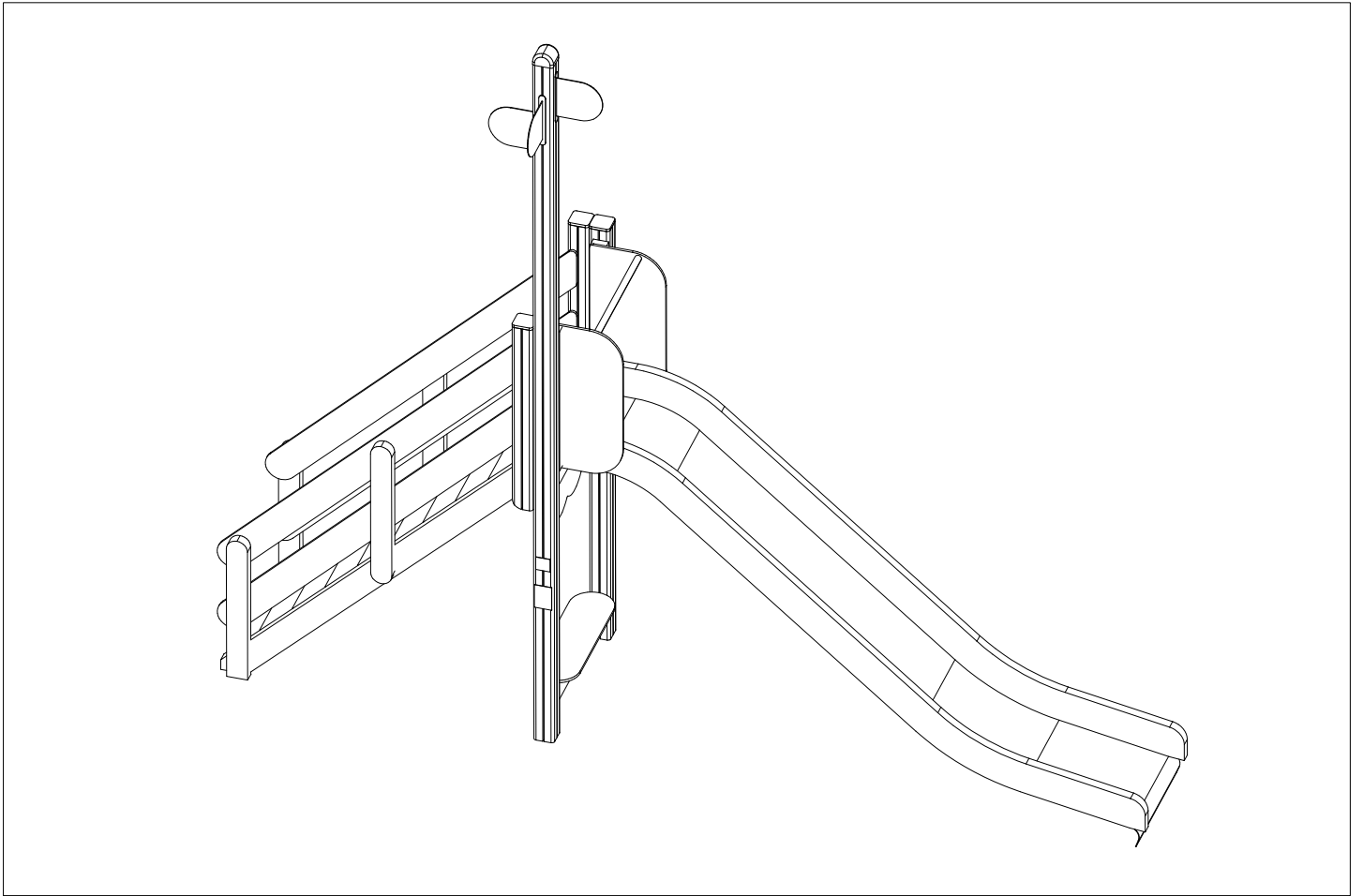


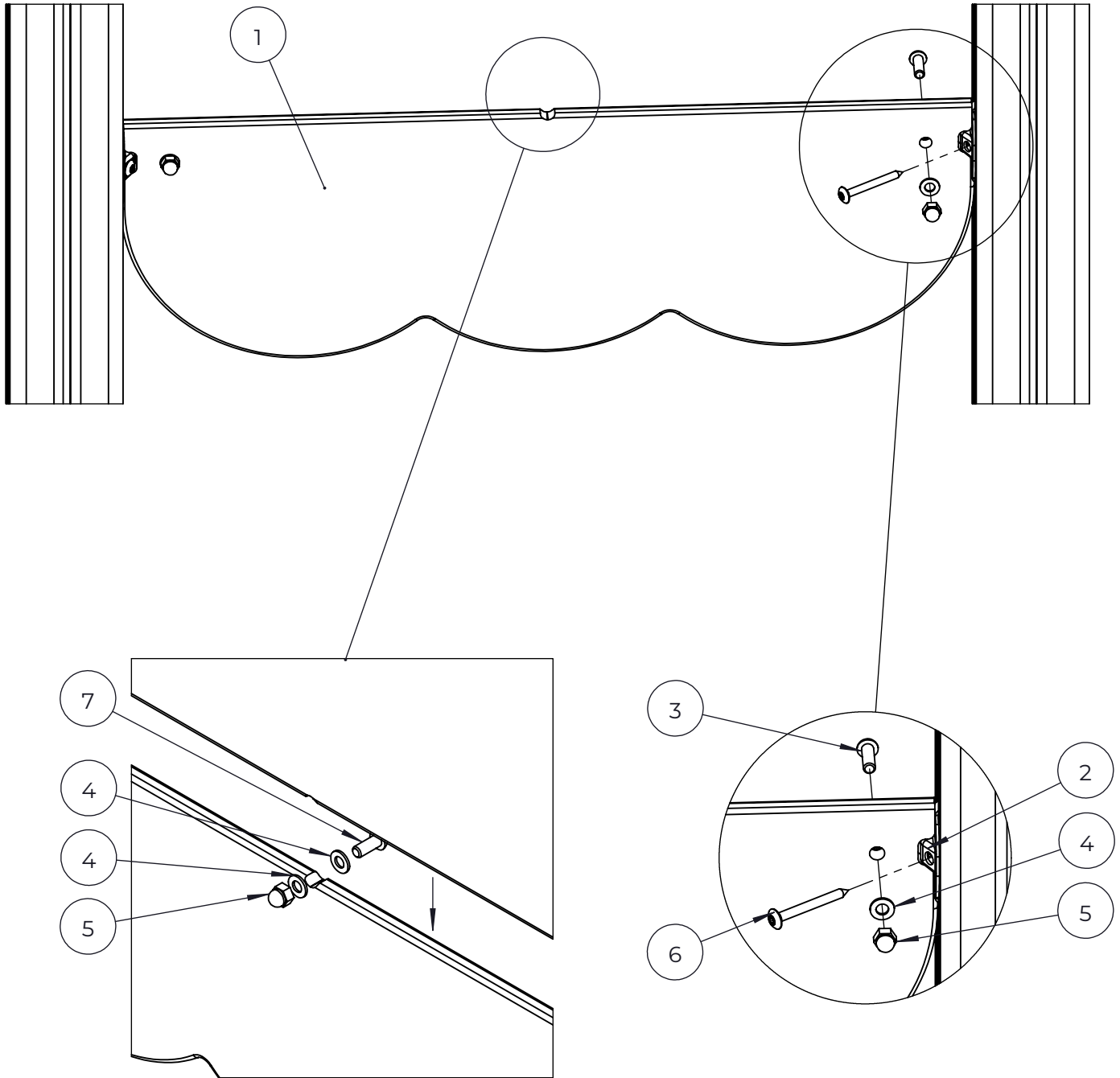




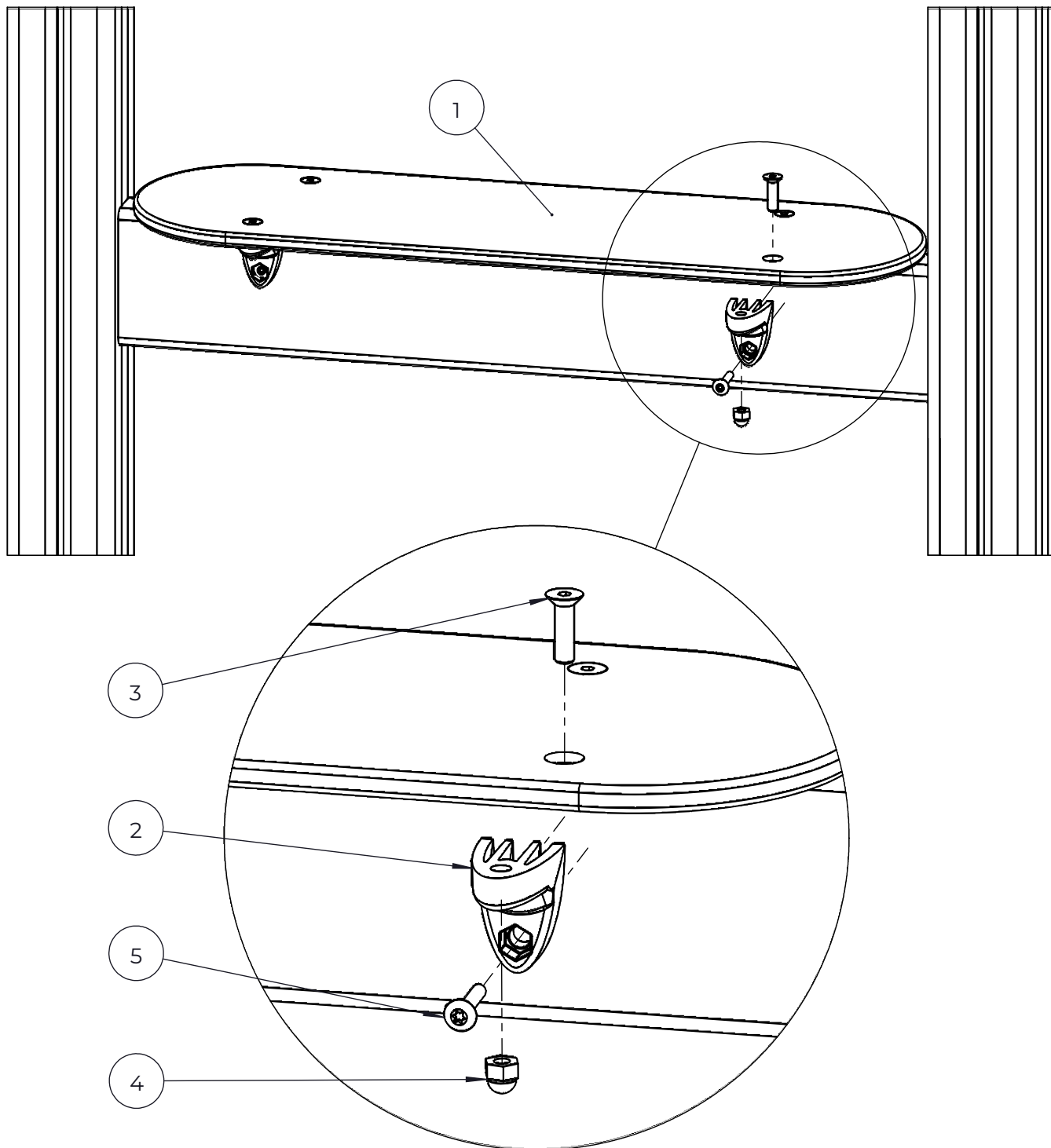




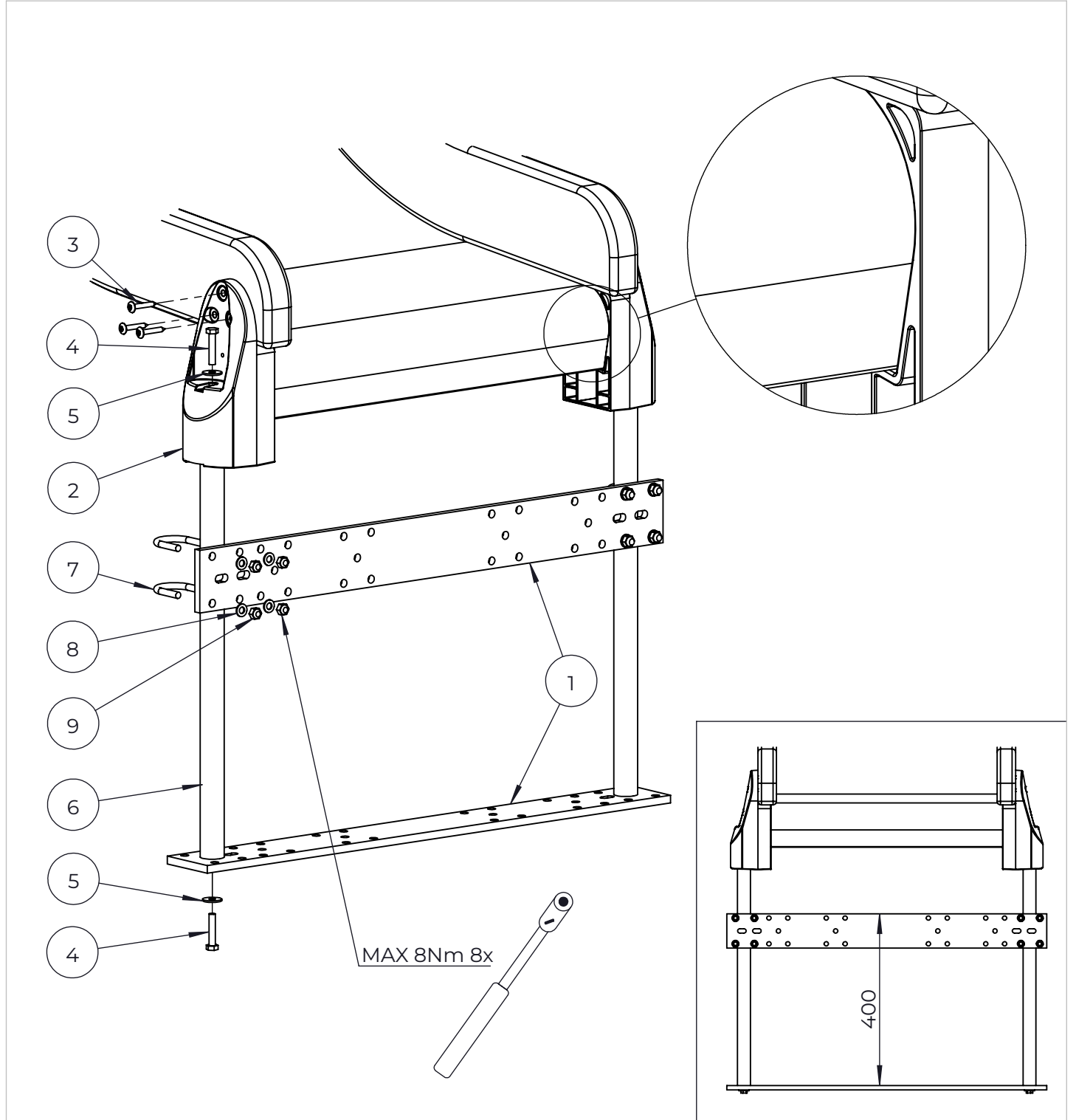




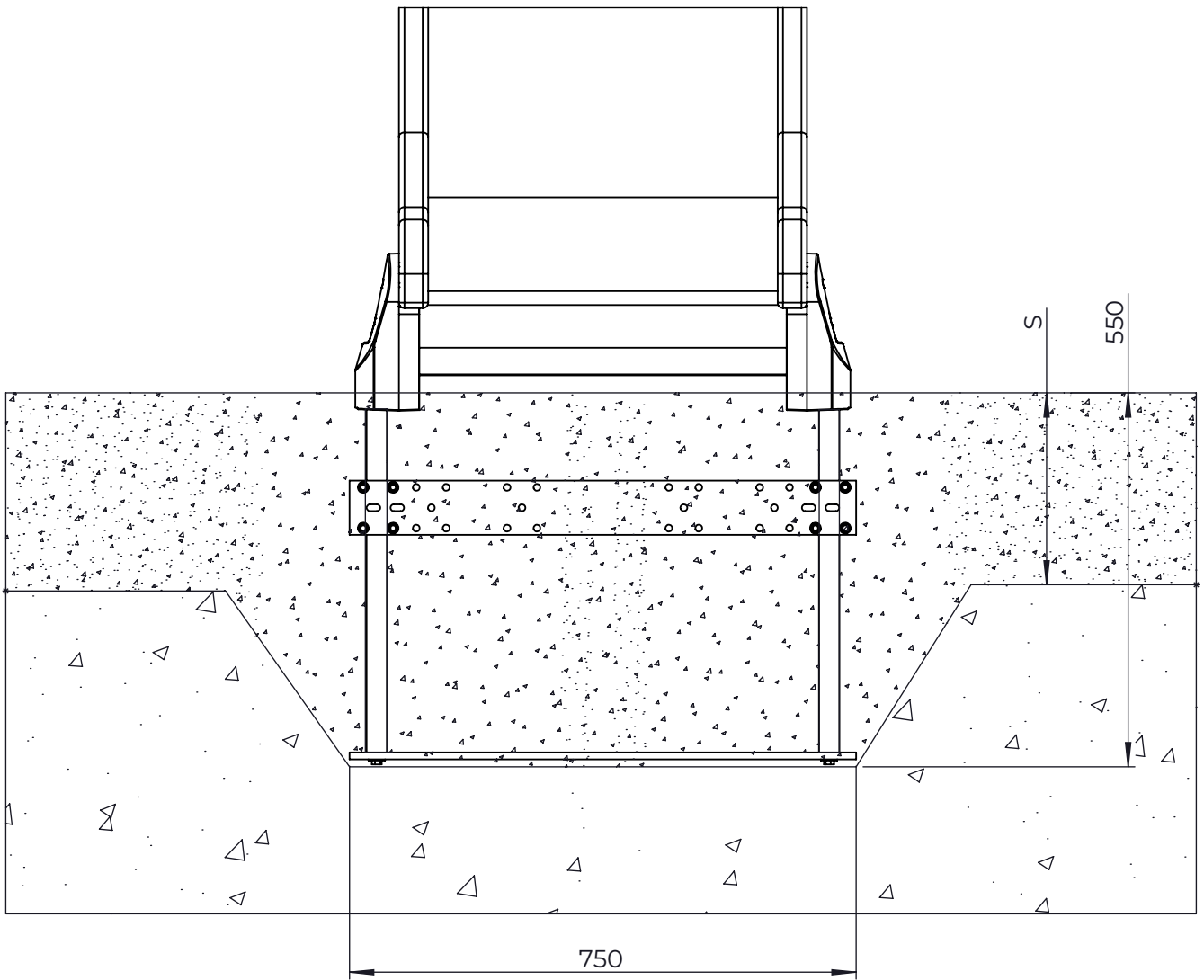
NO.	ITEM CODE			QTY.
1	711676	PLATE	12x230x702	1
2	903176	CLAMP		2
3	909850	ALLEN SCREW	M8x25	2
4	909256	WASHER	Ø16/8.4x1.6	4
5	909633	NUT	M8	3
6	980123	SPECIAL SCREW	Ø7x60	2
7	905827	ALLEN SCREW	M8x20	1

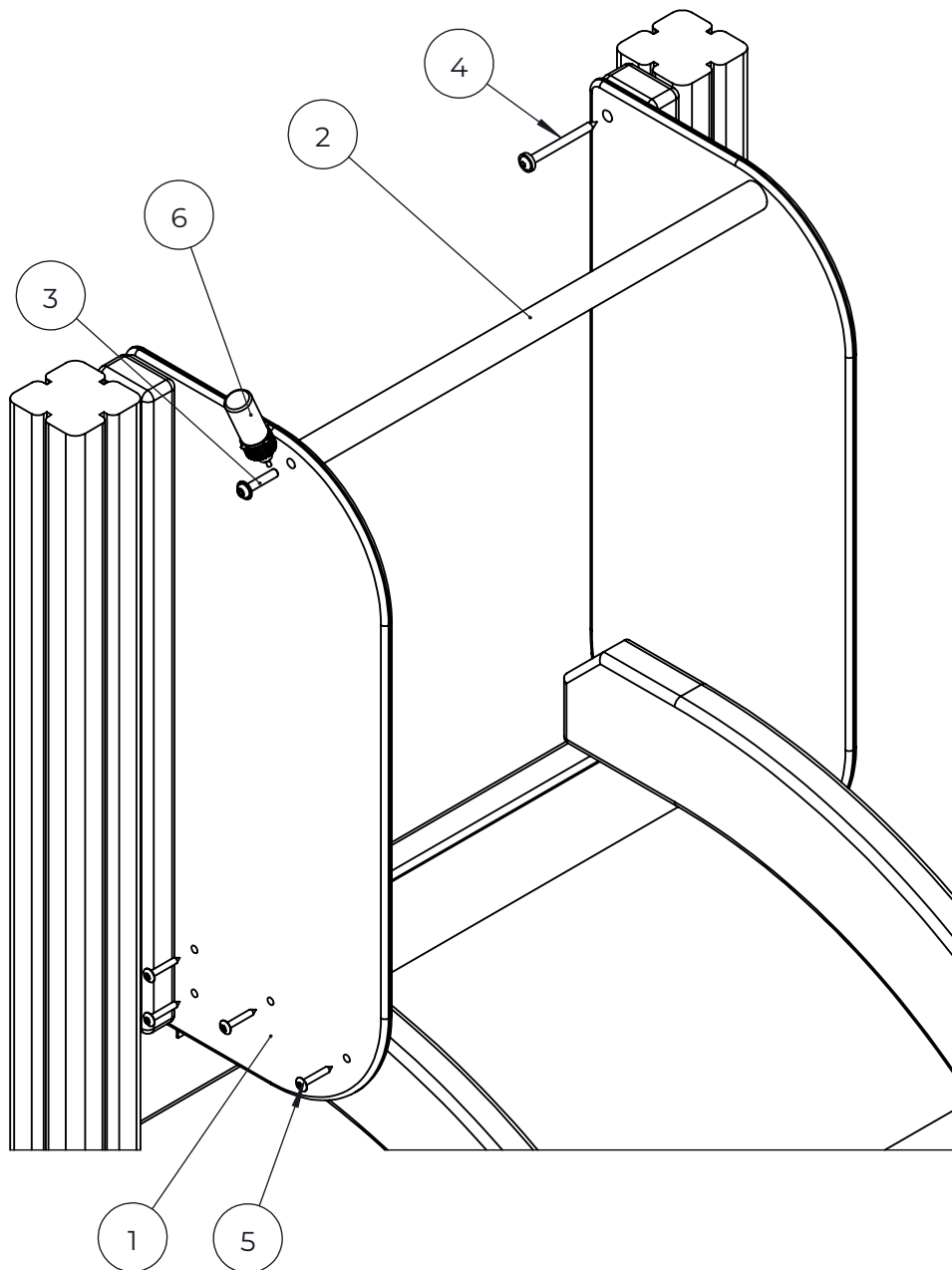


NO.	ITEM CODE			QTY.
1	711701	STEP	12x200x680	1
2	901570	CLAMP	36x55x55	4
3	900348	ALLEN SCREW	M8x30	4
4	909633	NUT	M8	4
5	980128	SPECIAL SCREW	Ø7x40	4

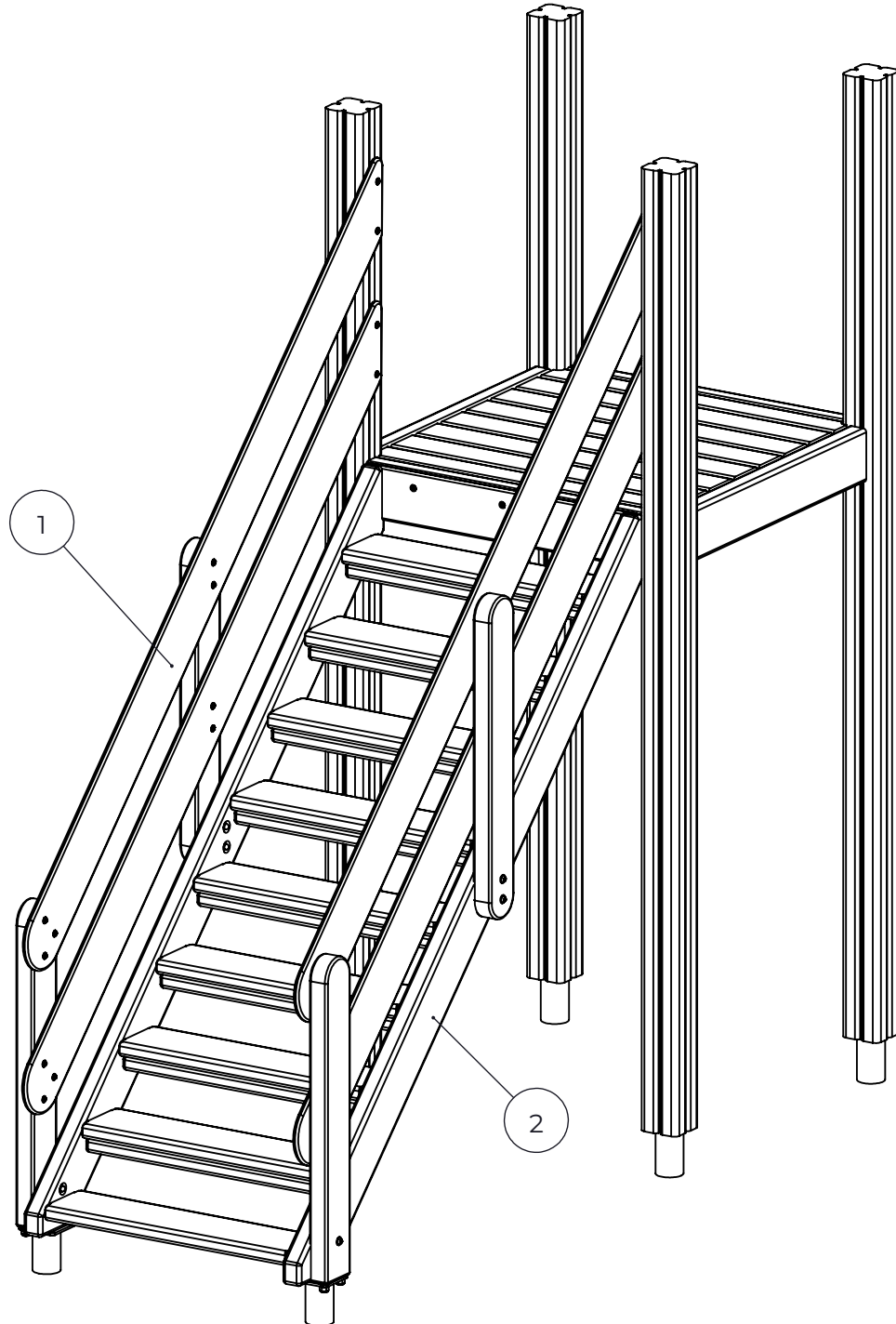


NO.	ITEM CODE			QTY.
1	707133	PLATE	10x80x745	2
2	901879	CLAMP		2
3	980128	SPECIAL SCREW	Ø7x40	6
4	909210	BOLT	M8x40	4
5	905051	WASHER	Ø24/8.4	4
6	901868	BAR		2
7	901115	U-BOLT		4
8	909256	WASHER	Ø16/8.4x1.6	8
9	980160	NUT	M8	8

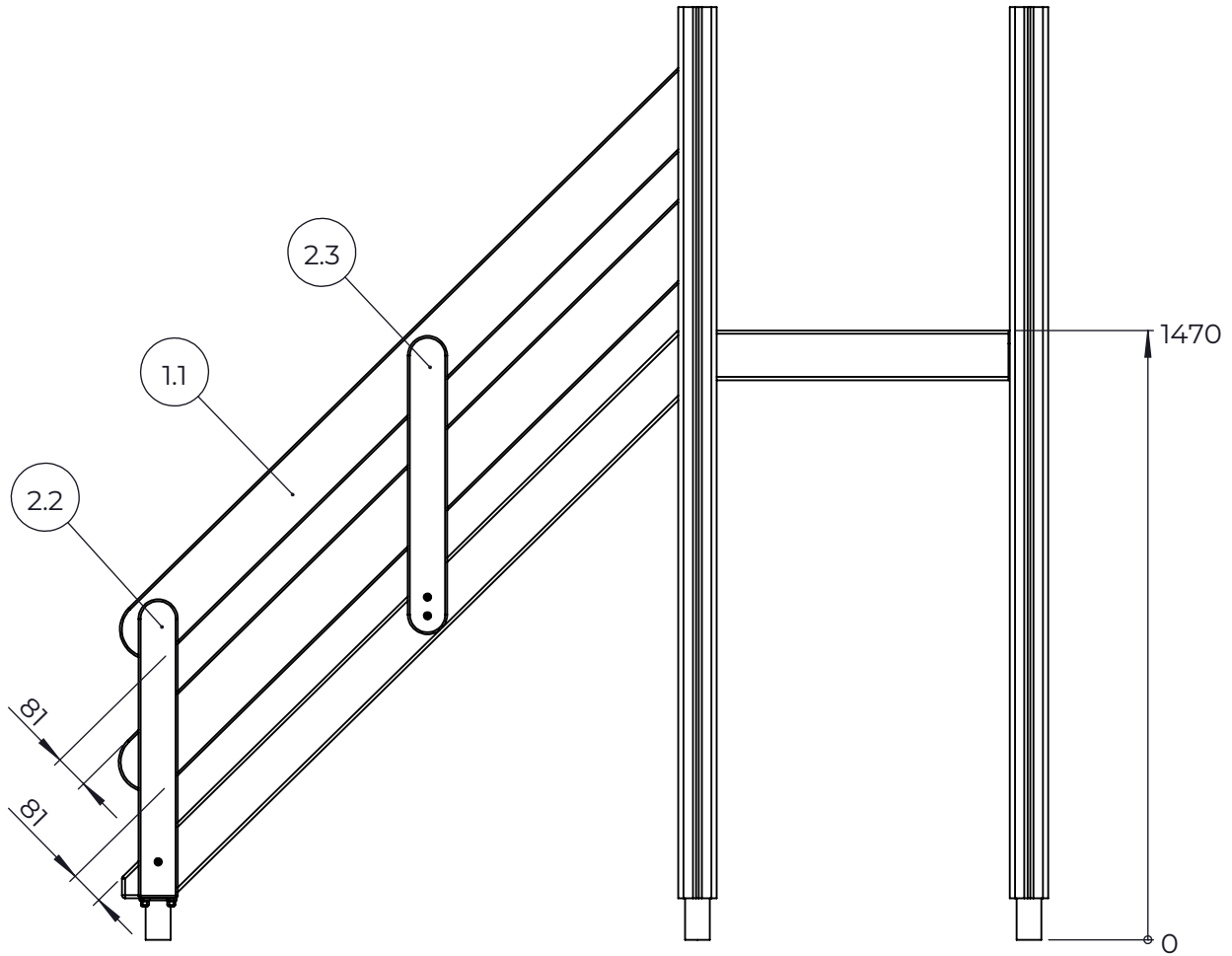




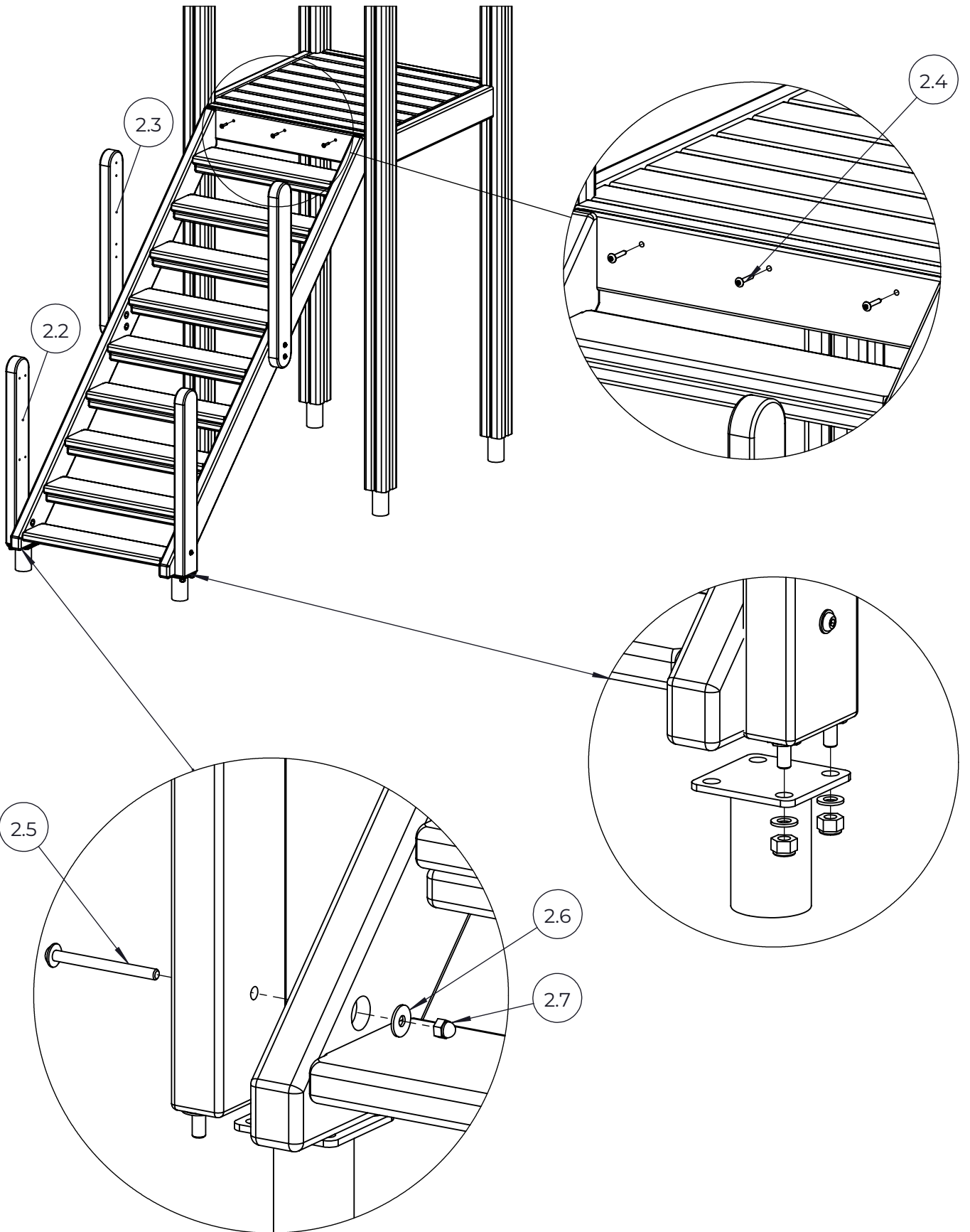
NO.	ITEM CODE			QTY.
1	711709	PLATE	12x343x747	2
2	914171	RAIL	Ø34x598	1
3	909876	ALLEN SCREW	M8x40	2
4	903093	SPECIAL SCREW	Ø8x90	2
5	980128	SPECIAL SCREW	Ø7x40	8
6	999561	THREAD GLUE HARD	10 g	1

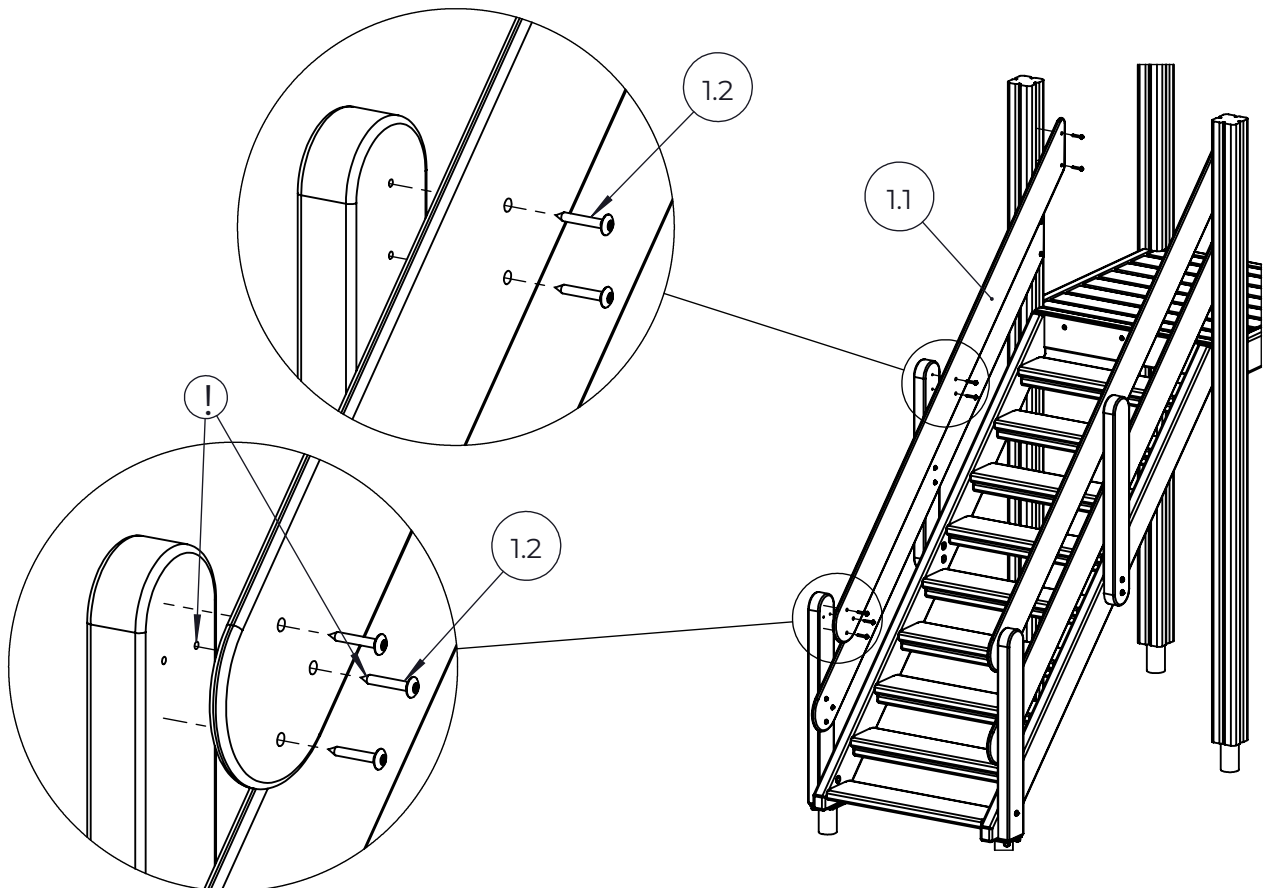
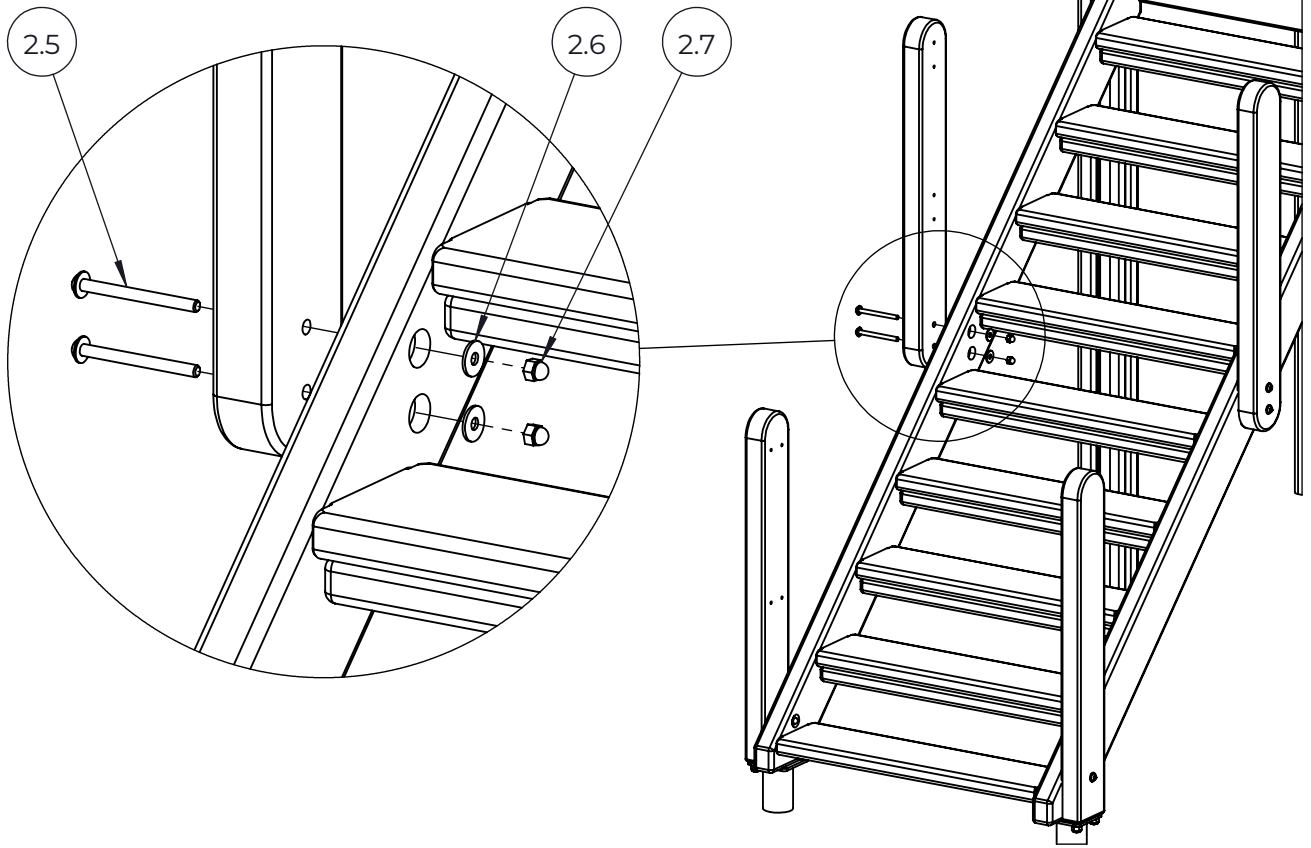


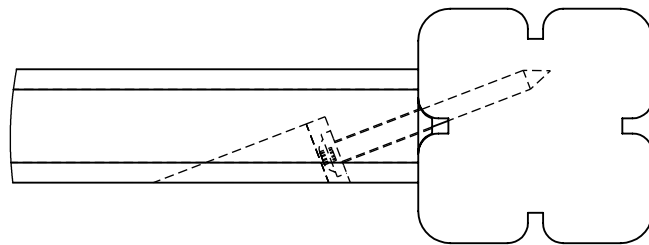
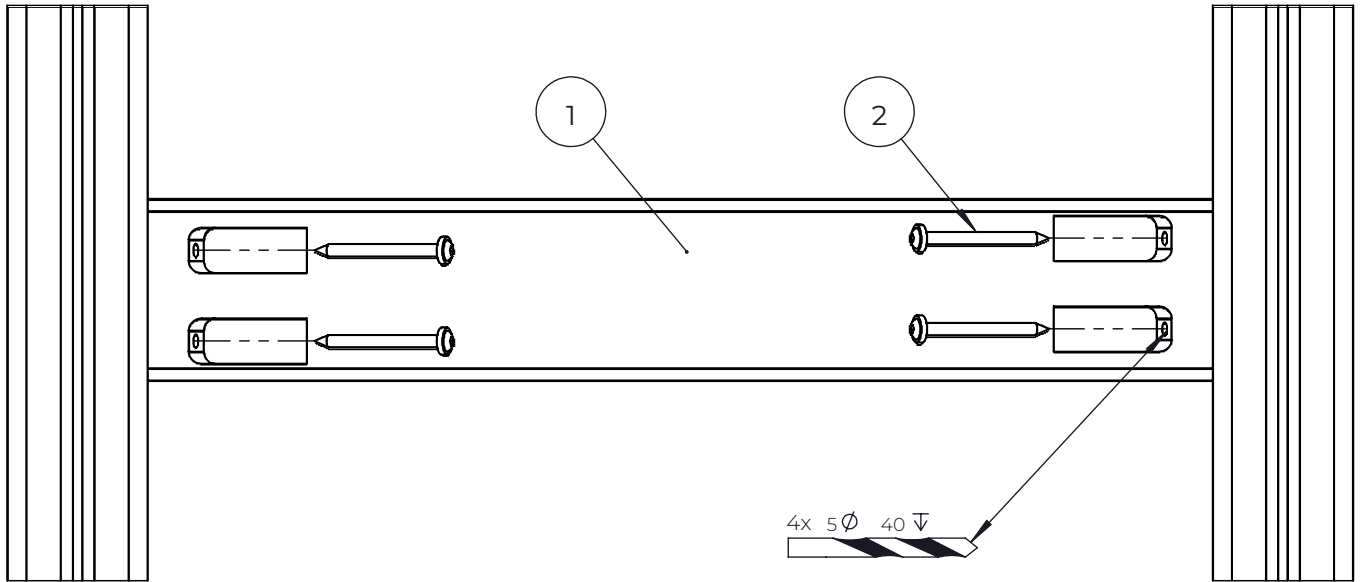
NO.	ITEM CODE			QTY.
1	712545	HANDRAIL MODULE	+1470	1
2	712540	STAIR MODULE	+1470	1



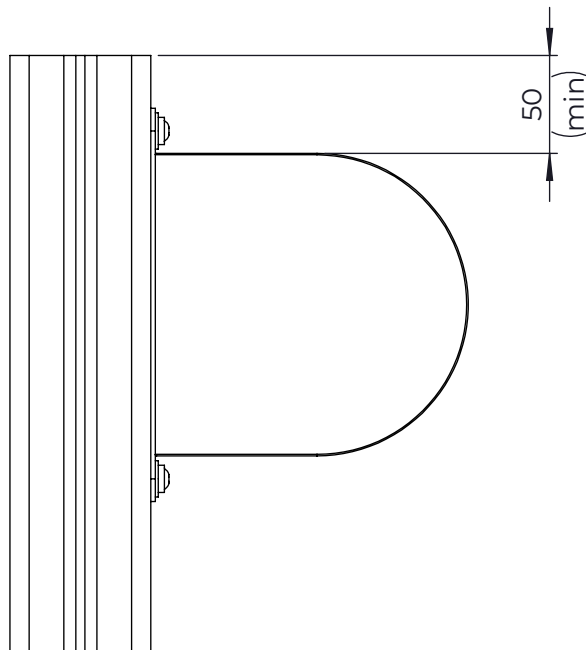
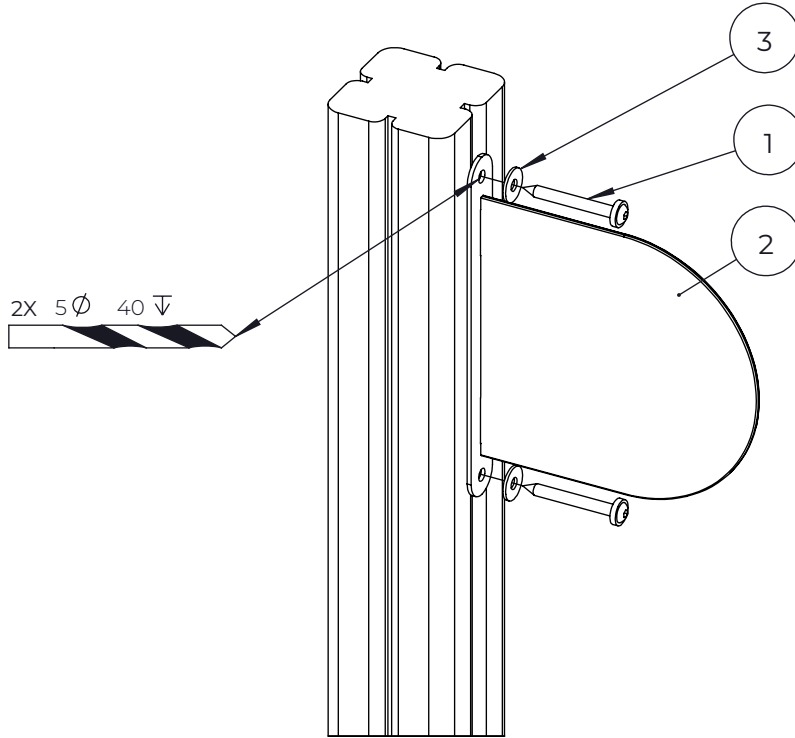
NO.	ITEM CODE			QTY.
1	712545	HANDRAIL MODULE	+1470	1
1.1	711932	HANDRAIL	12x145x2000	4
1.2	980128	SPECIAL SCREW	Ø7x40	28
2	712540	STAIR MODULE	+1470	1
2.1	712525	STAIR ELEMENT	+1470	1
2.2	712440	POST	45x95x720	2
2.3	712541	STAIR POST	45x95x720	2
2.4	980128	SPECIAL SCREW	Ø7x40	3
2.5	900859	ALLEN SCREW	M8x90	6
2.6	980152	WASHER	Ø24/8.4x2	6
2.7	909633	NUT	M8	6



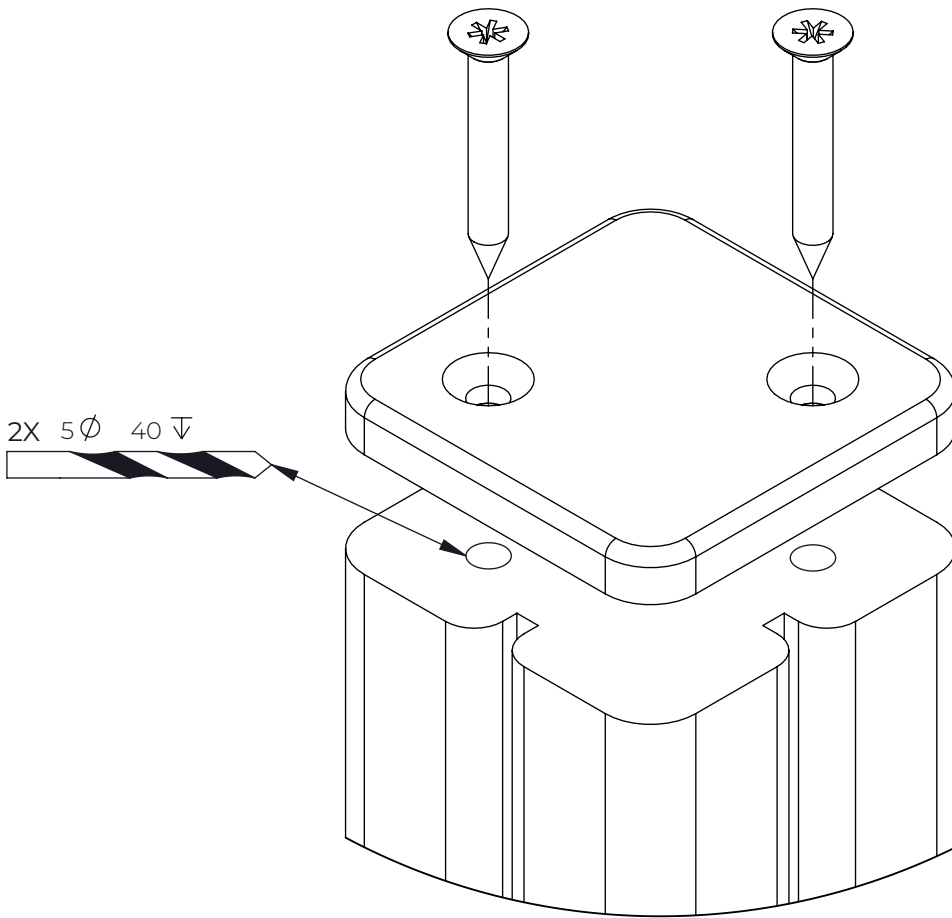




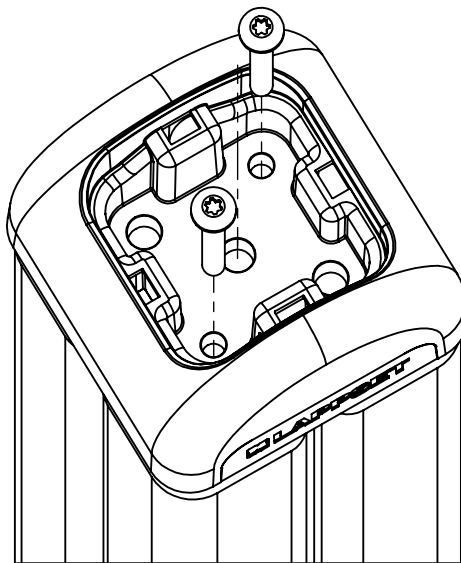
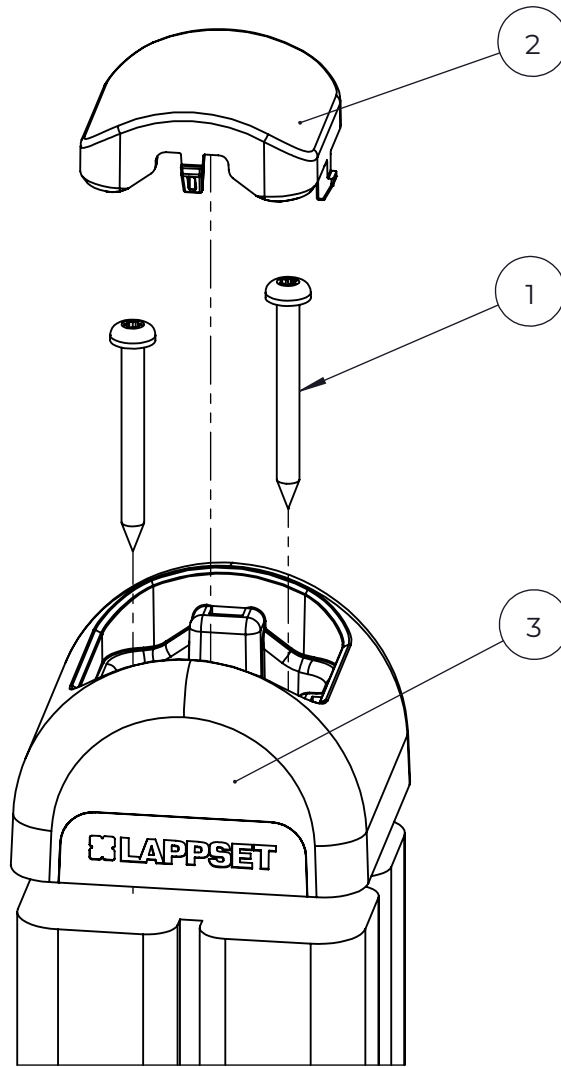
NO.	ITEM CODE			QTY.
1	712079	BOOM	45x120x715	1
2	903093	SPECIAL SCREW	Ø8x90	4



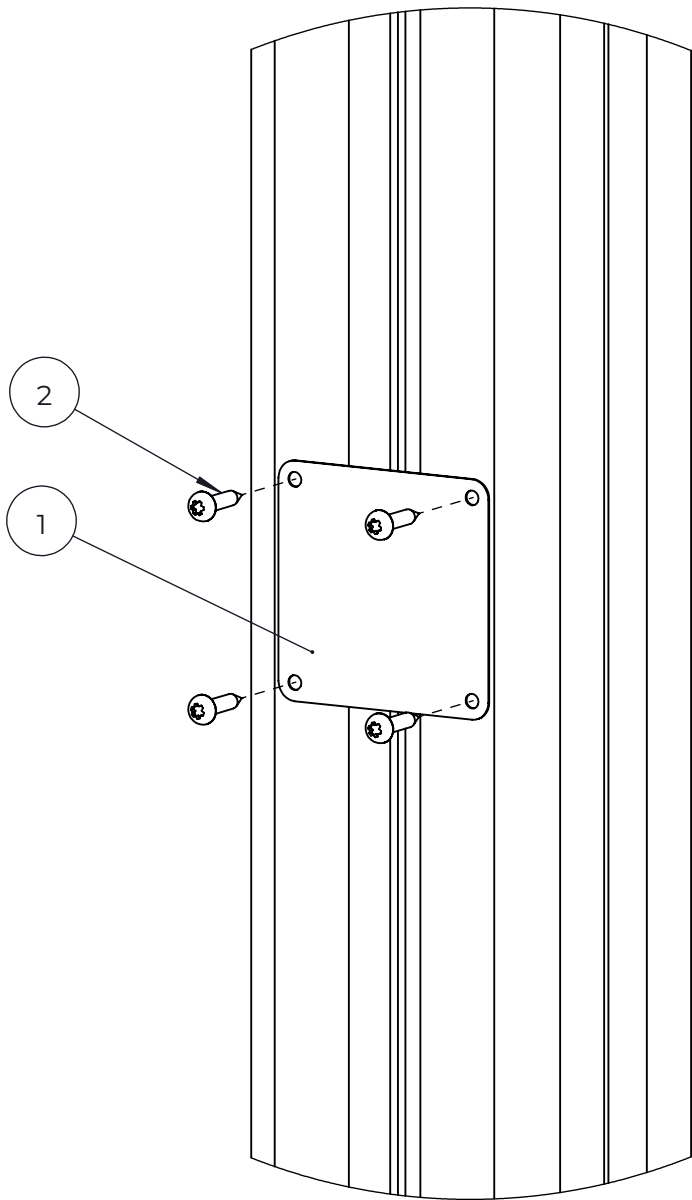
NO.	ITEM CODE			QTY.
1	900240	SPECIAL SCREW	Ø8x70	2
2	914264	STREAMER	30x217x260	1
3	980152	WASHER	Ø24/8.4x2	2



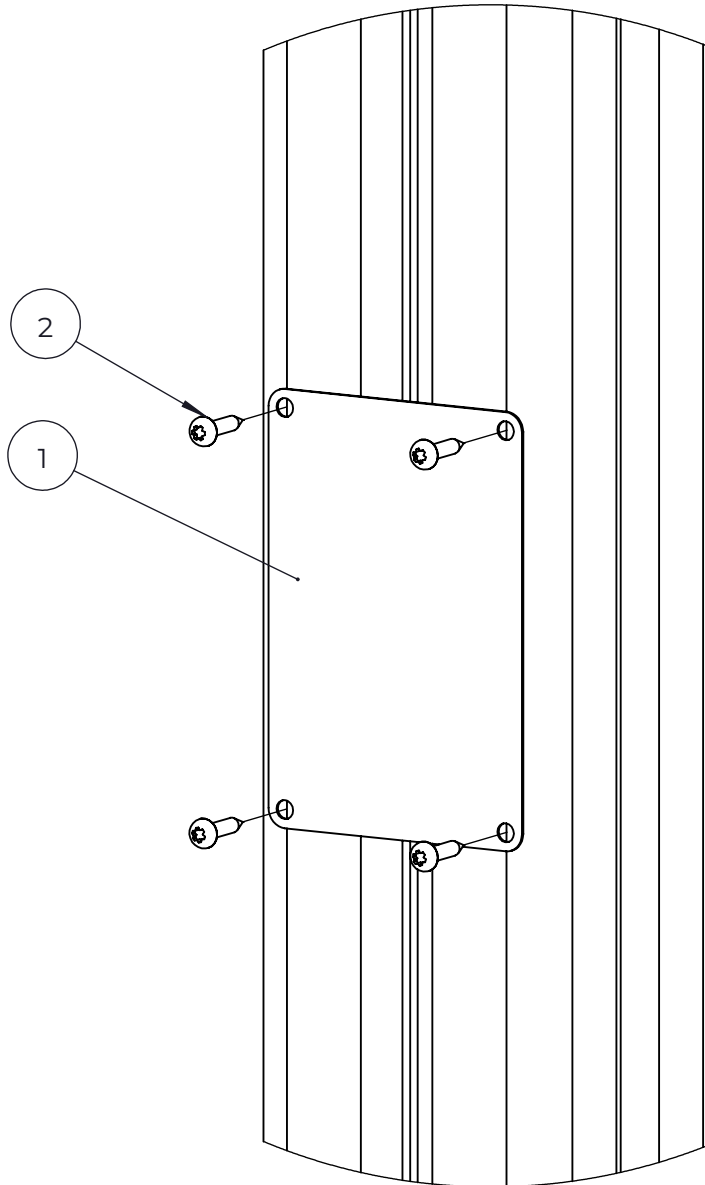
NO.	ITEM CODE			QTY.
1	906630	SCREW	Ø8x60	2
2	711807	TOP HAT	93x93x12	1



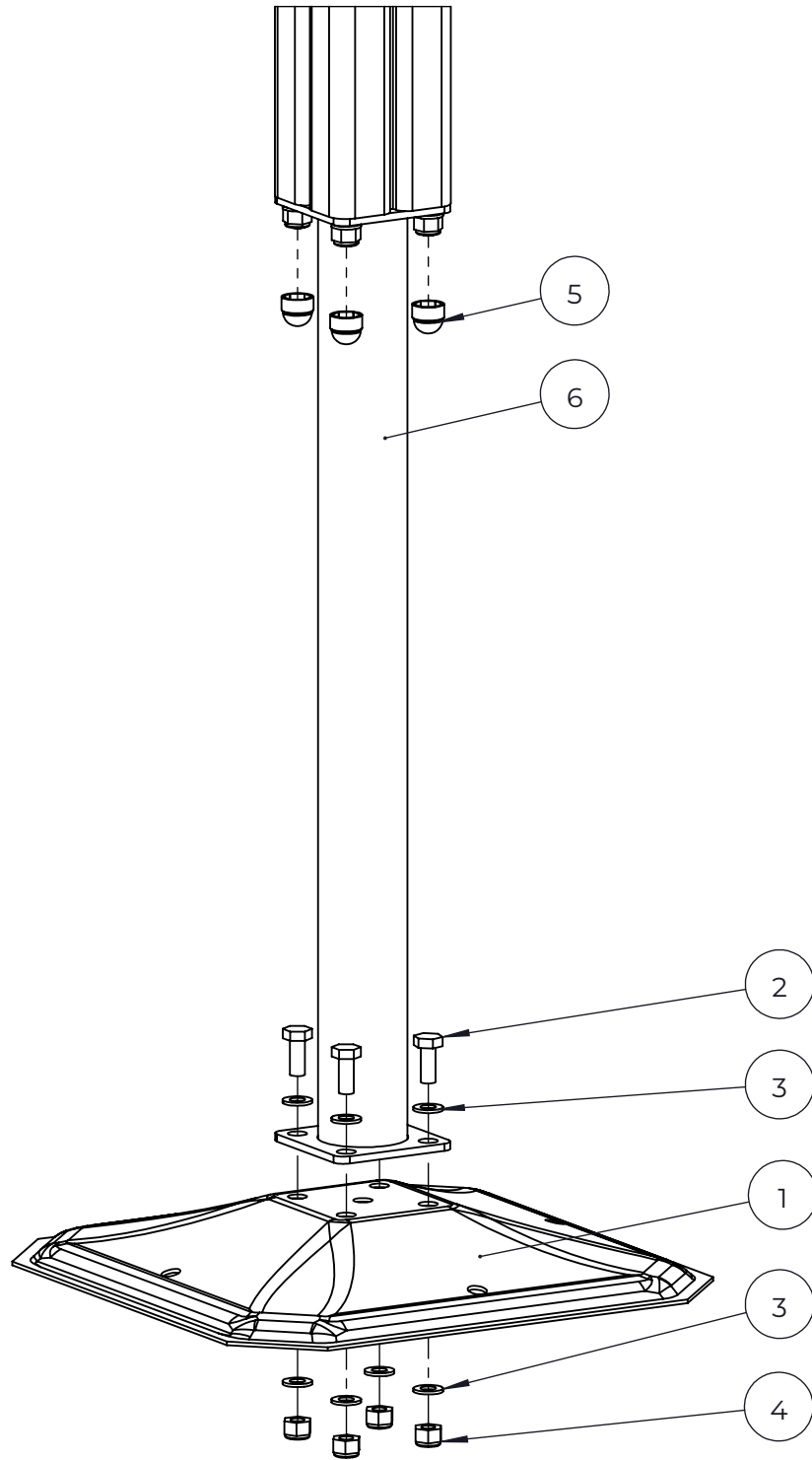
NO.	ITEM CODE			QTY.
1	980131	SCREW	Ø6x60	2
2	915379	TOP HAT COVER	67,5x67,6x34	1
3	915378	TOP HAT BASE	95x95x60	1



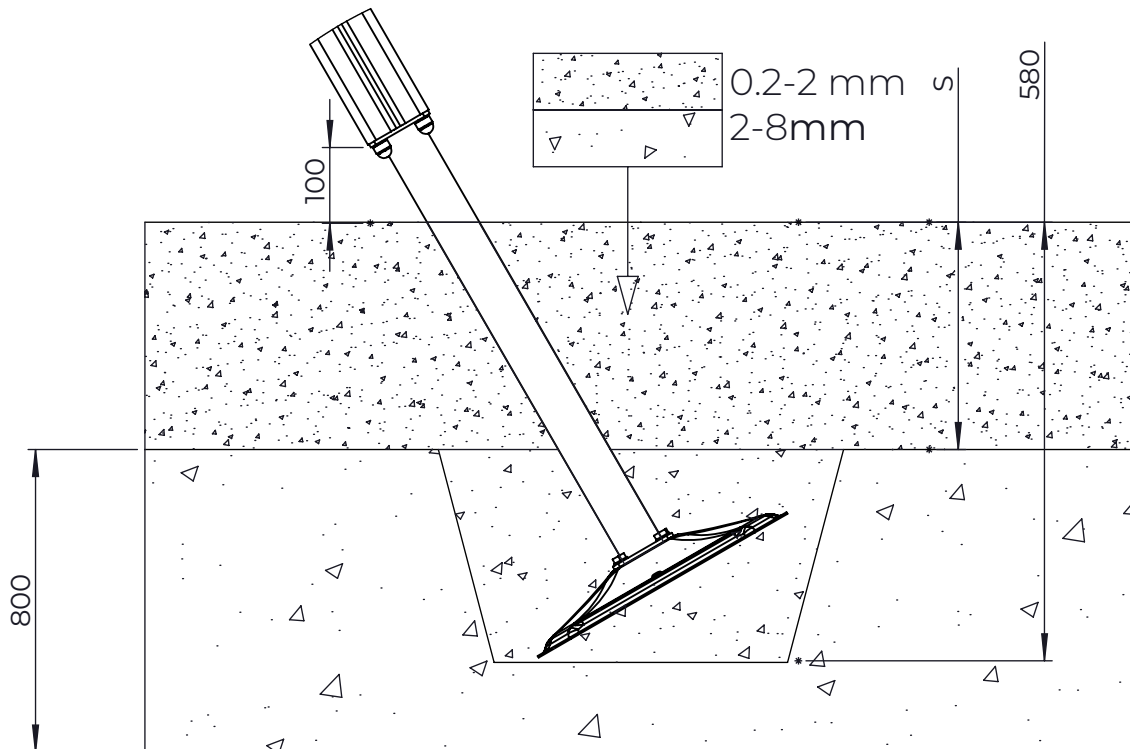
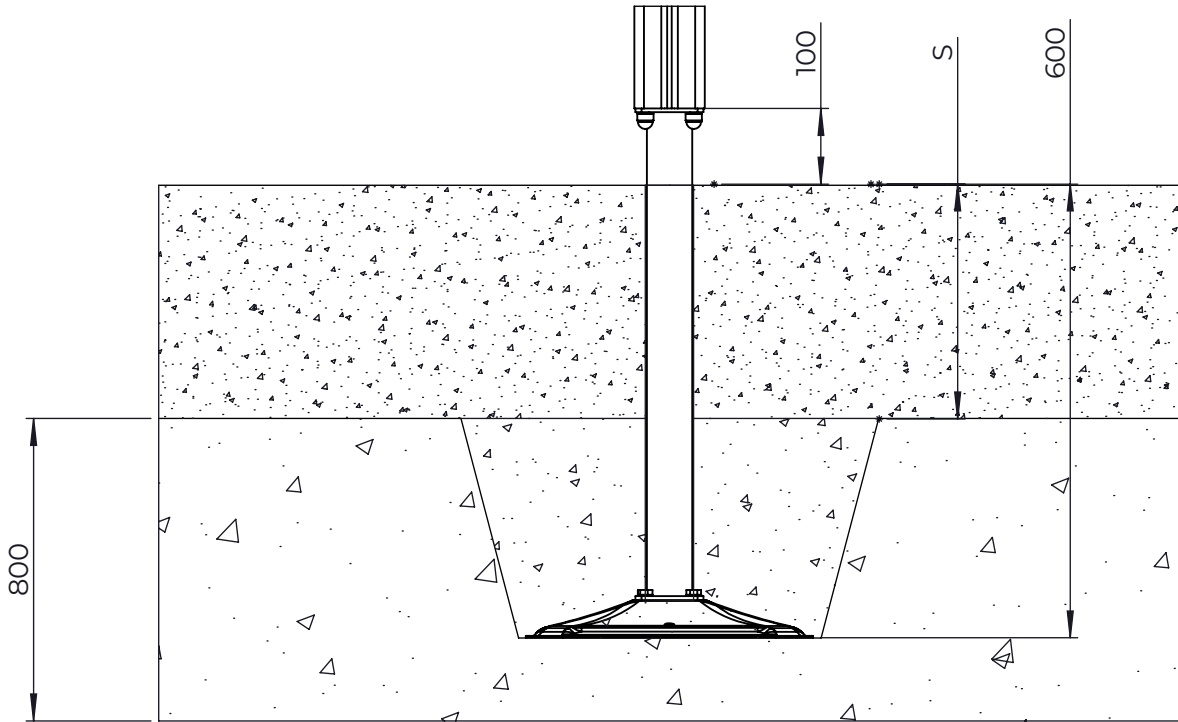
NO.	ITEM CODE			QTY.
1	702286	PRINTED LABEL	65x65	1
2	980114	SCREW	Ø4x20	4

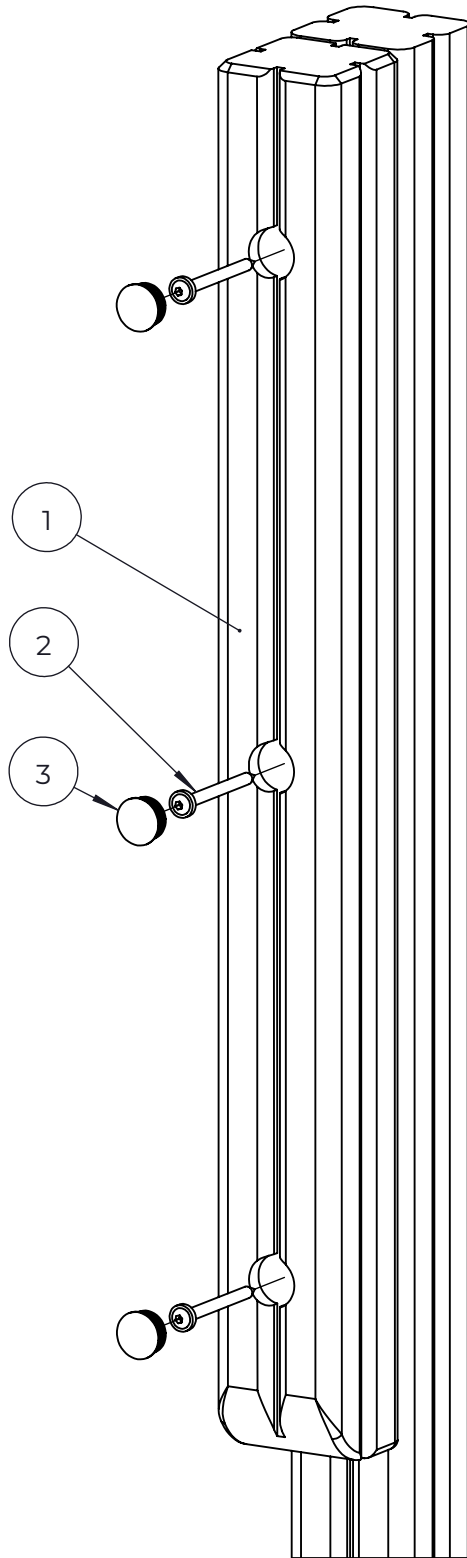


NO.	ITEM CODE			QTY.
1	702339	PRINTED LABEL	118x78	1
2	980114	SCREW	Ø4x20	4

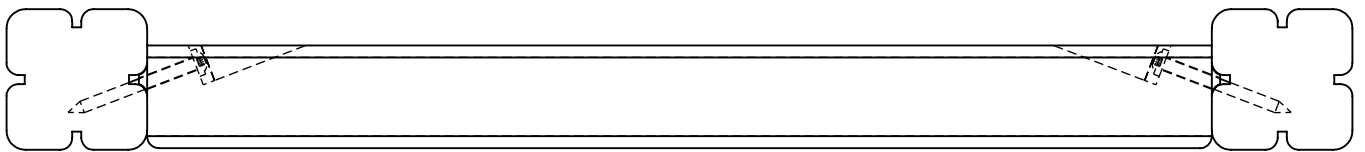
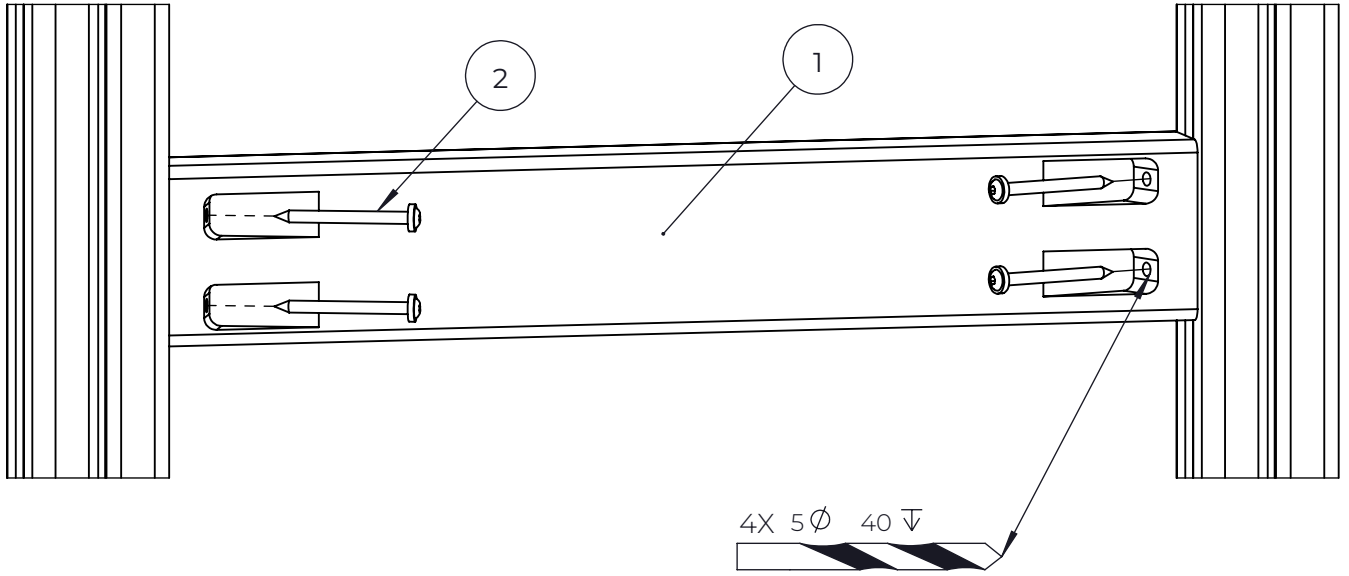


NO.	ITEM CODE			QTY.
1	909519	FOUNDATION PLATE	380 x 380 x 45	1
2	909639	BOLT	M10x25	4
3	909638	WASHER	Ø20 / 10.5	8
4	909637	NUT	M10	4
5	905104	OUTSIDE PLUG	M10	4
6	909511	FOUNDATION TUBE	90x90x650	1

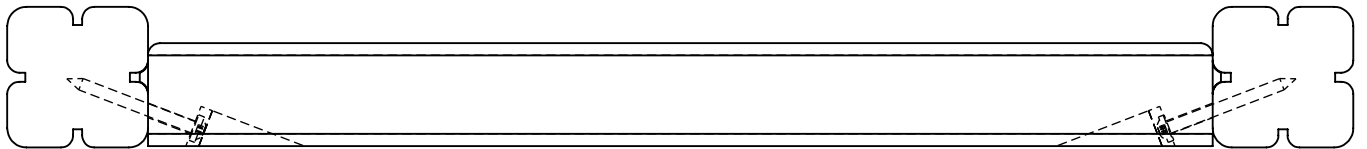
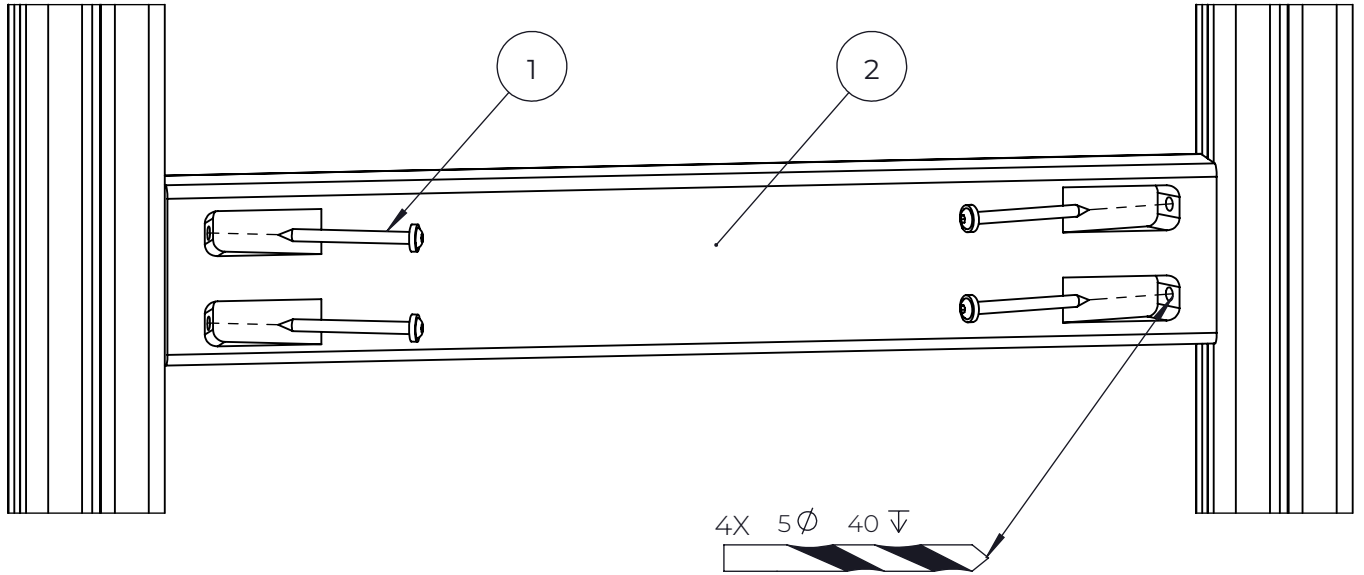




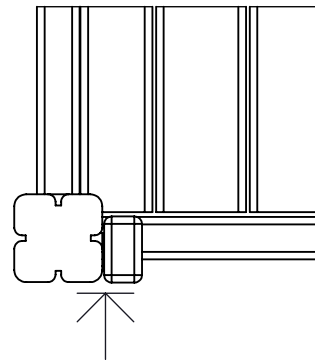
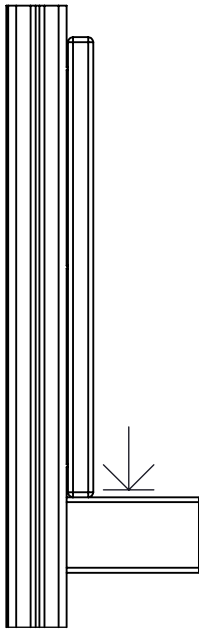
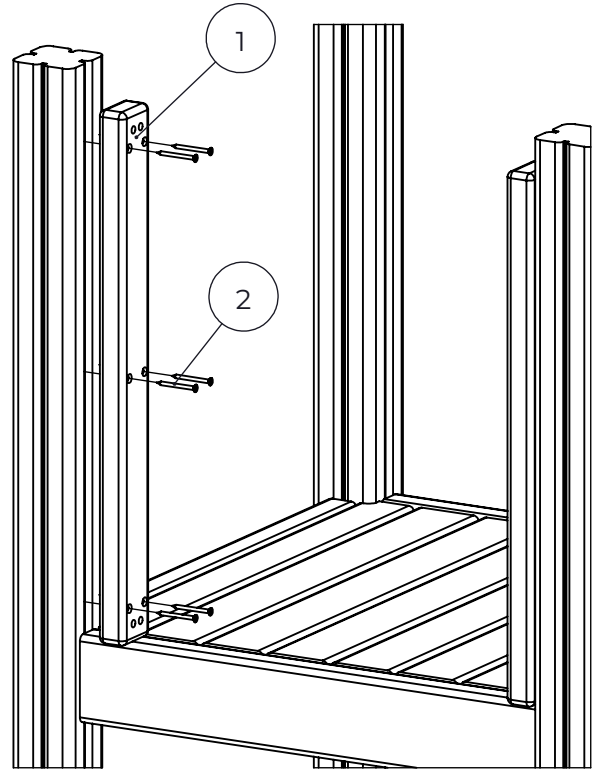
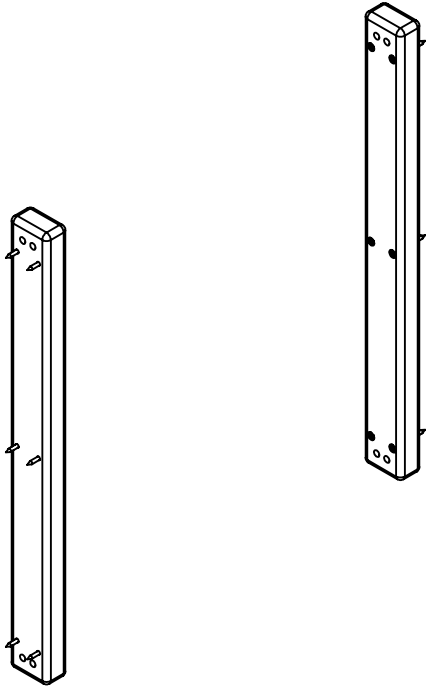
NO.	ITEM CODE			QTY.
1	712475	POST	93x93x950	1
2	903093	SPECIAL SCREW	Ø8x90	3
3	905103	PLUG	PT-28/32-H	3



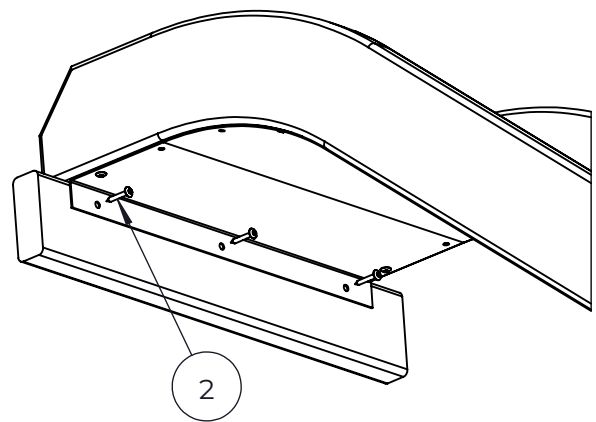
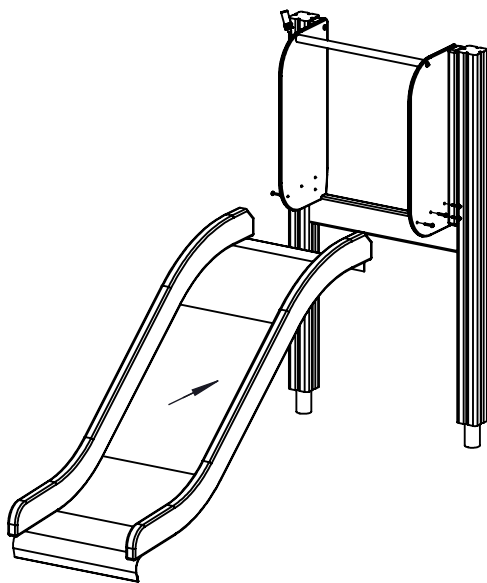
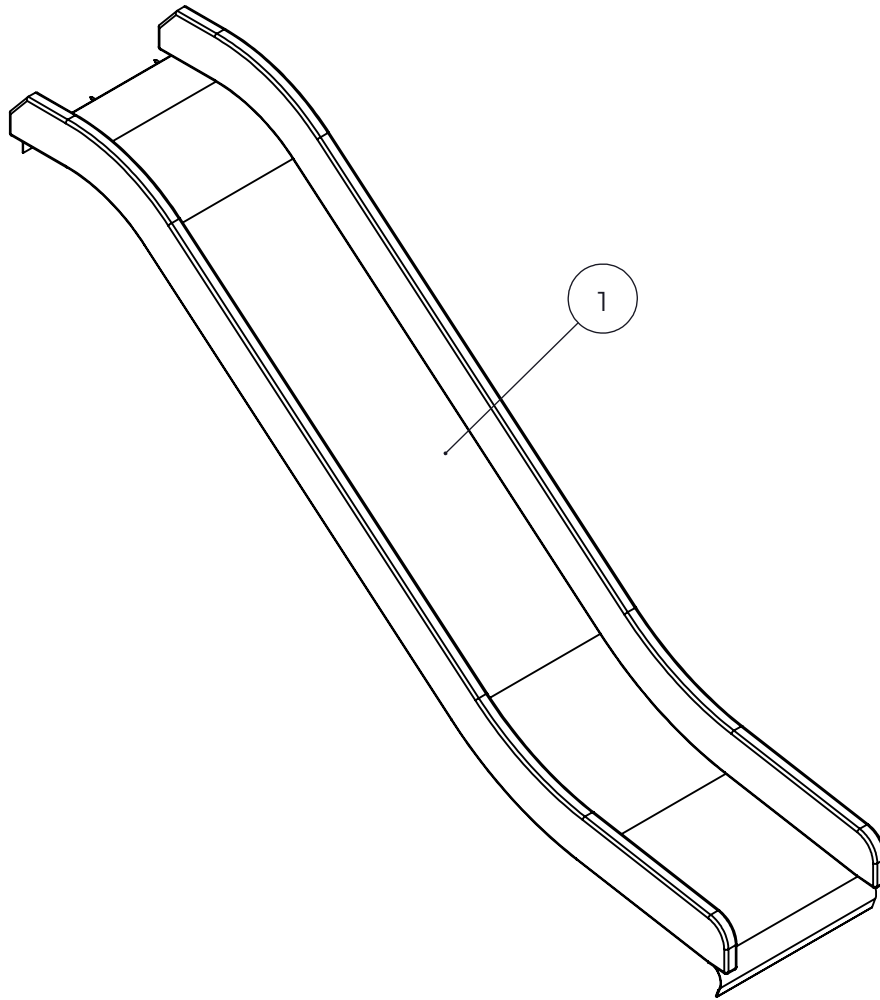
NO.	ITEM CODE			QTY.
1	712381	BOOM	68x120x715	1
2	903093	SPECIAL SCREW	Ø8x90	4



NO.	ITEM CODE			QTY.
1	903093	SPECIAL SCREW	Ø8x90	4
2	712514	BOOM	68x120x715	1



NO.	ITEM CODE			QTY.
1	712303	BATTEN	40x70x730	2
2	980100	SCREW	Ø5x60	12



NO.	ITEM CODE			QTY.
1	705307	SLIDE ELEMENT	600x1381x2685	1
2	980128	SPECIAL SCREW	Ø7x40	3