

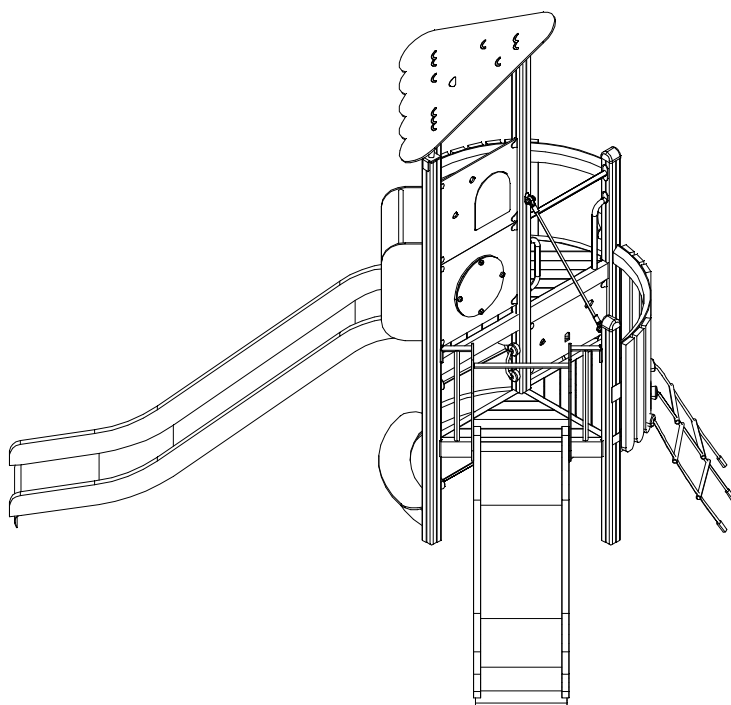


PRIME

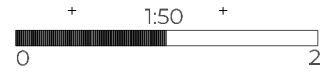
ASENNUSOHJE
MONTERINGSANSVISNING
INSTALLATION INSTRUCTION
AUFBAUANLEITUNG
NOTICE D'INSTALLATION

DATE: 26.1.2026

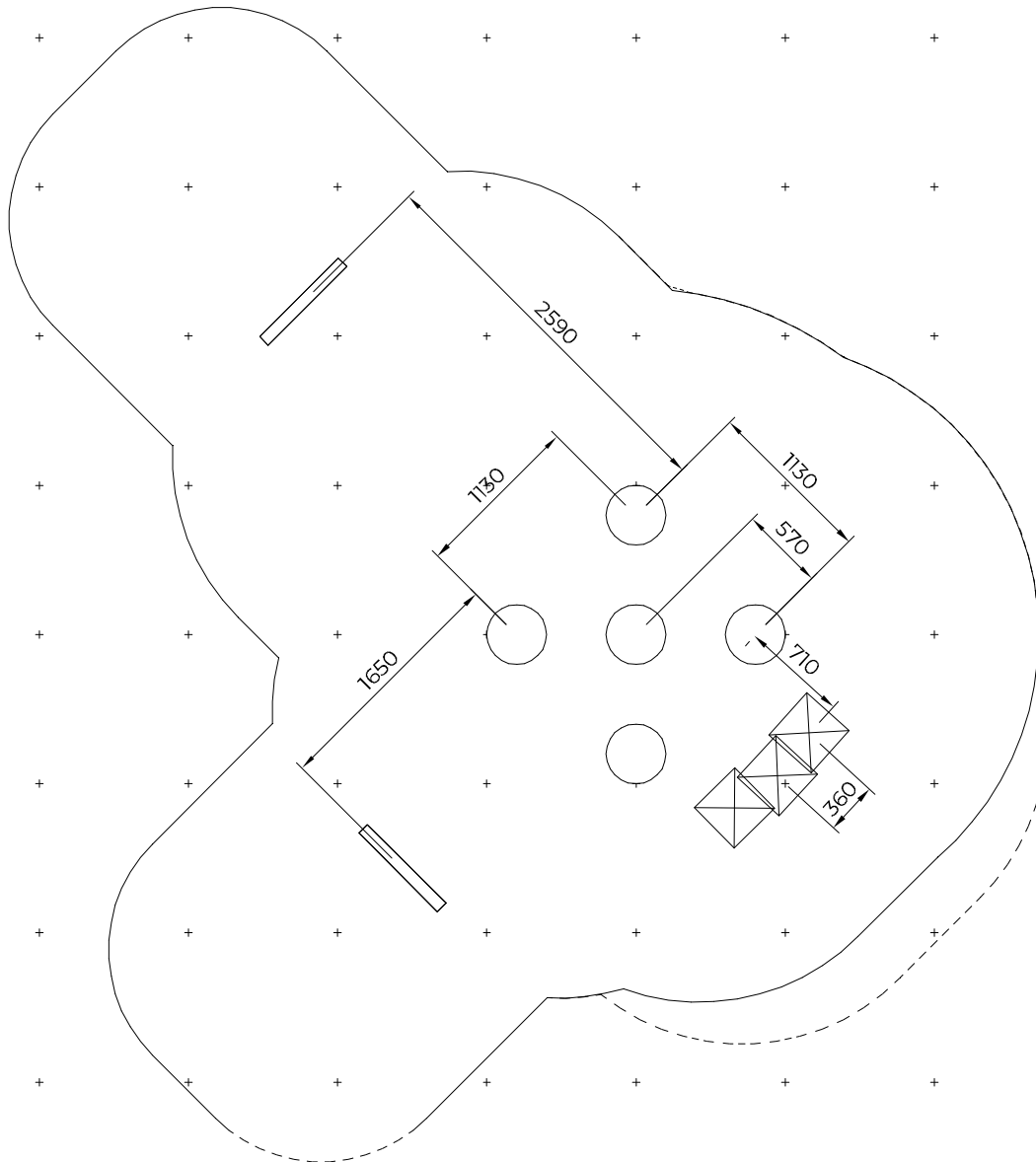
F24106M



710468-001	PCS 2	712032-001	PCS 1	712037-001	PCS 1	712045-001	PCS 2	712049-001	PCS 1	712397	PCS 1
		L 1650		L 2150		L 2950		L 3350			
712434	PCS 1	712497	PCS 2	712499	PCS 2	712513-001	PCS 1	712522-001	PCS 1	712600	PCS 1
						+870		+1470			
712619-303	PCS 1	712724-001	PCS 2	712730	PCS 1	712743-303	PCS 2	712747-001	PCS 7	712752	PCS 3
		L 1096						L 704			
712780	PCS 1	712788	PCS 2	712797	PCS 1	712798	PCS 1	712819-001	PCS 4	712837	PCS 1
L 704											
712889	PCS 5	712941-001	PCS 2	712953-303	PCS 1	712954	PCS 4	712999	PCS 1	713087-303	PCS 1
L 700											
713090	PCS 2	713150-001	PCS 2	713174	PCS 1	713212	PCS 1	713337	PCS 1	713345	PCS 1
		L1027						12x1199x1336			
713352-001	PCS 2		PCS		PCS		PCS		PCS		PCS



Grid size = 1000 mm



— EN/AS Impact Area 32 m²
- - - Falling Space 33 m²
Max Falling Height 1470 mm

