

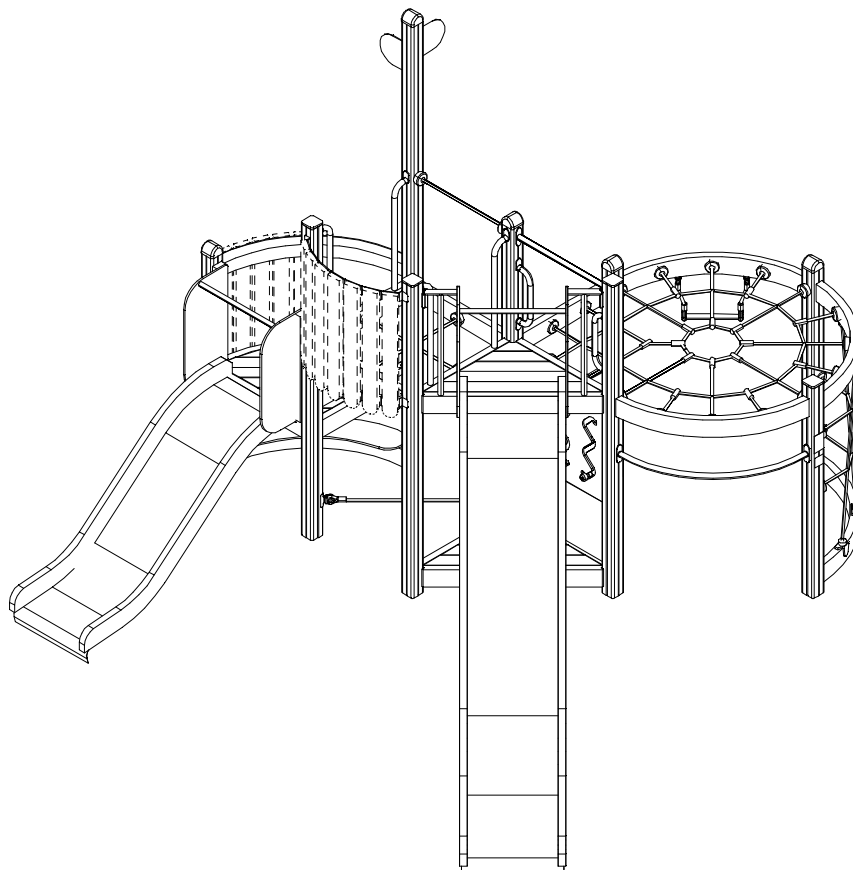


PRIME

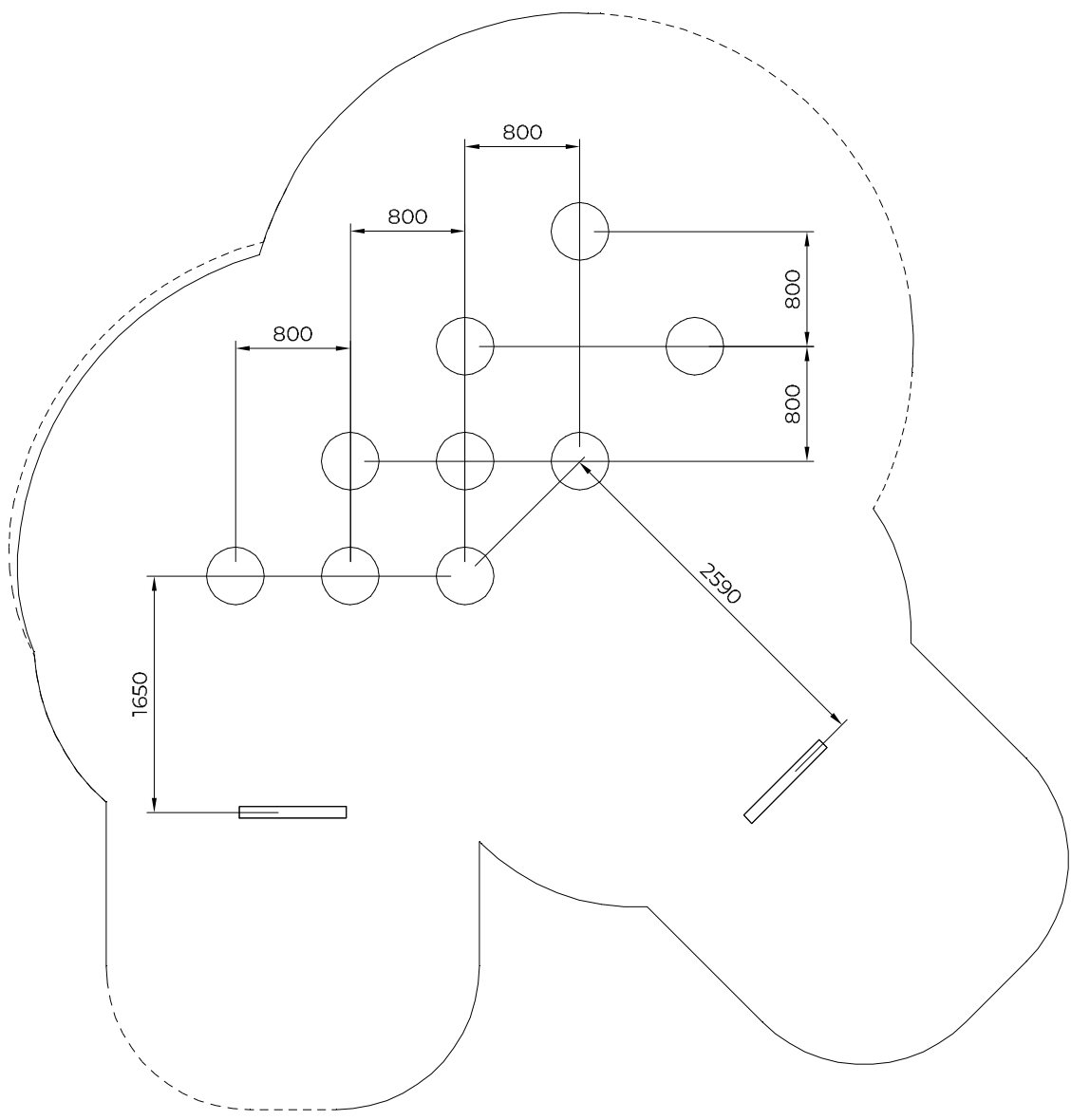
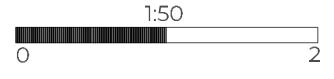
ASENNUSOHJE  
MONTERINGSANSVISNING  
INSTALLATION INSTRUCTION  
AUFBAUANLEITUNG  
NOTICE D'INSTALLATION

DATE: 10.2.2026

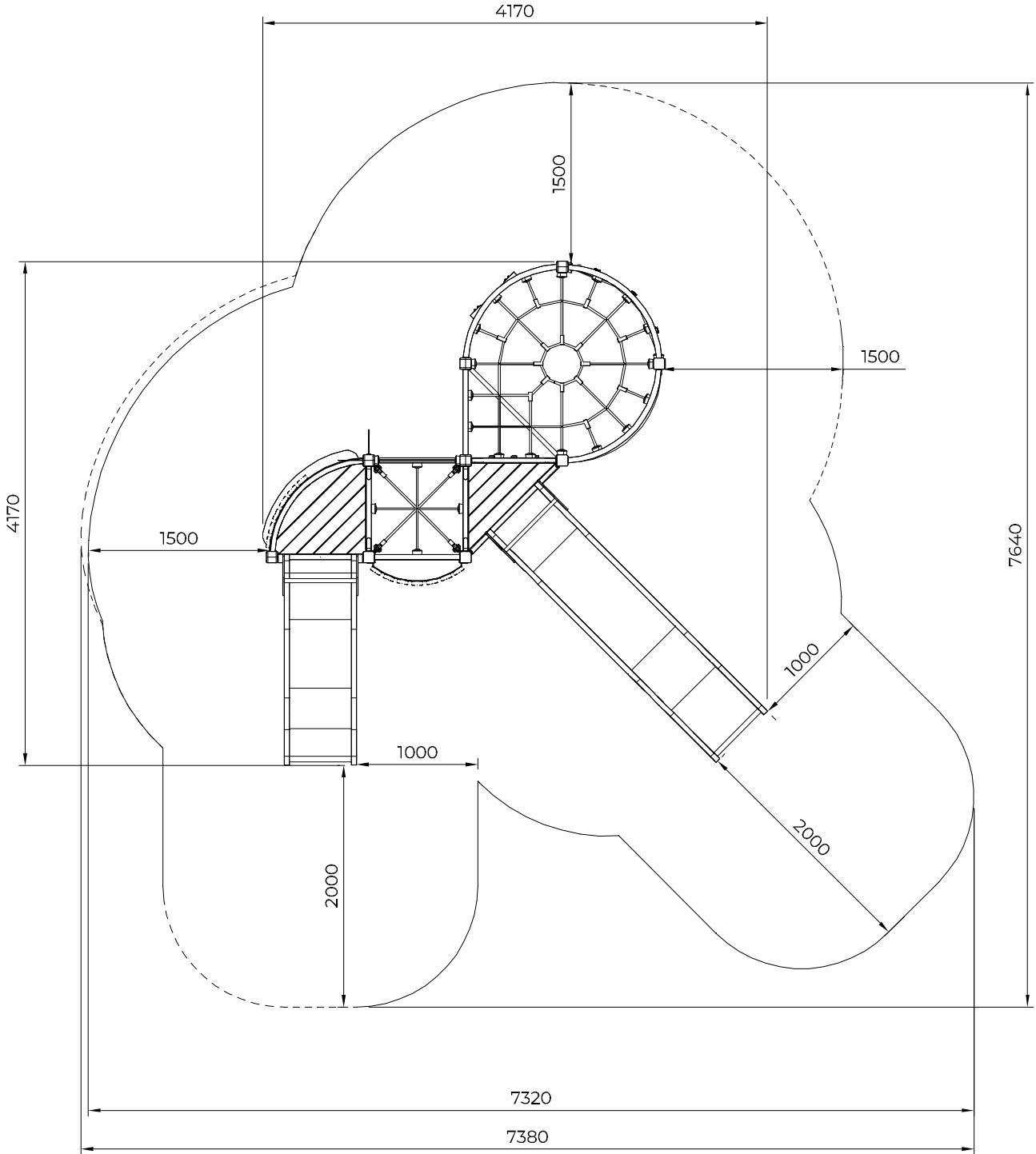
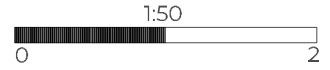
F24108M

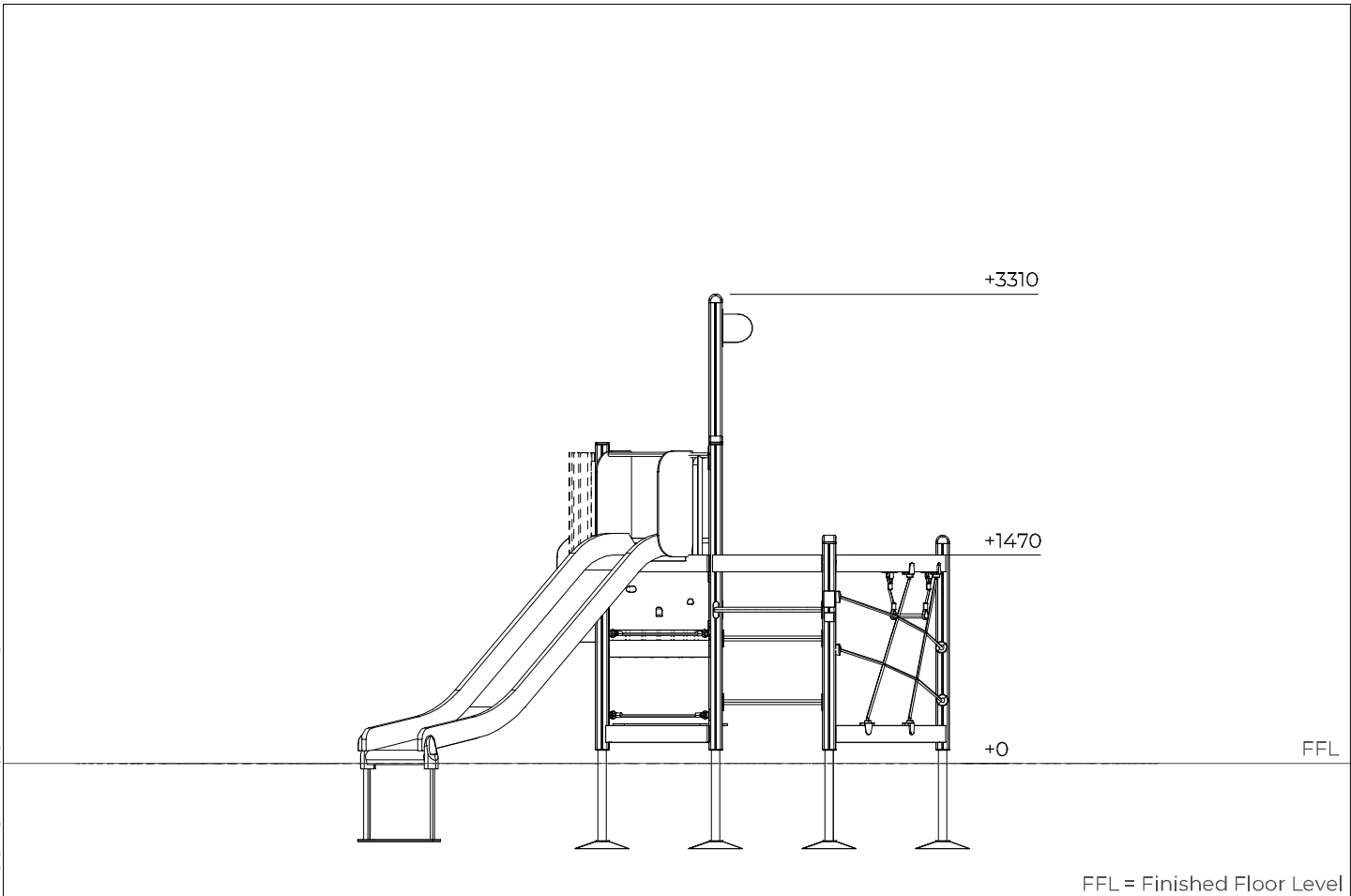
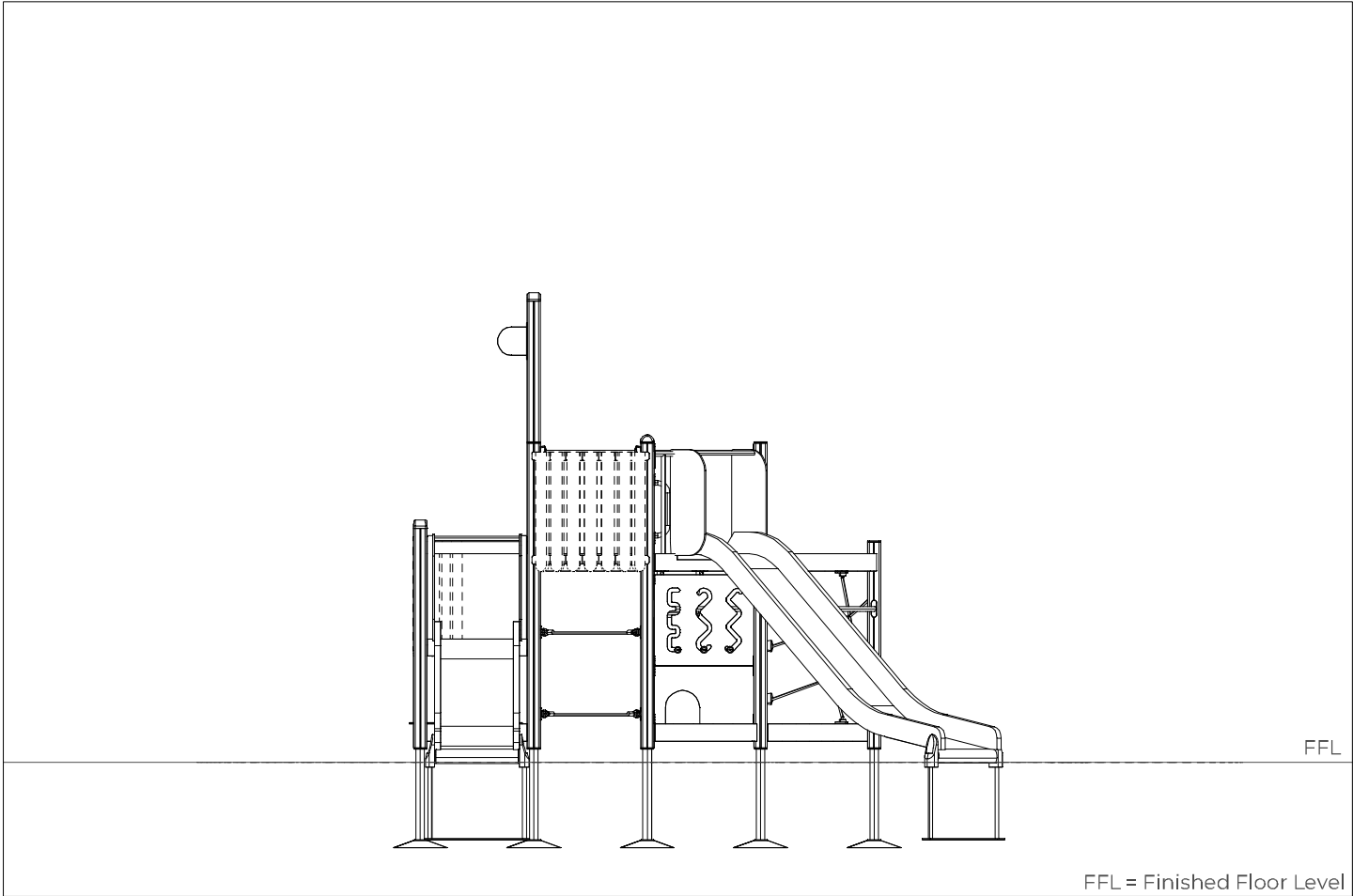


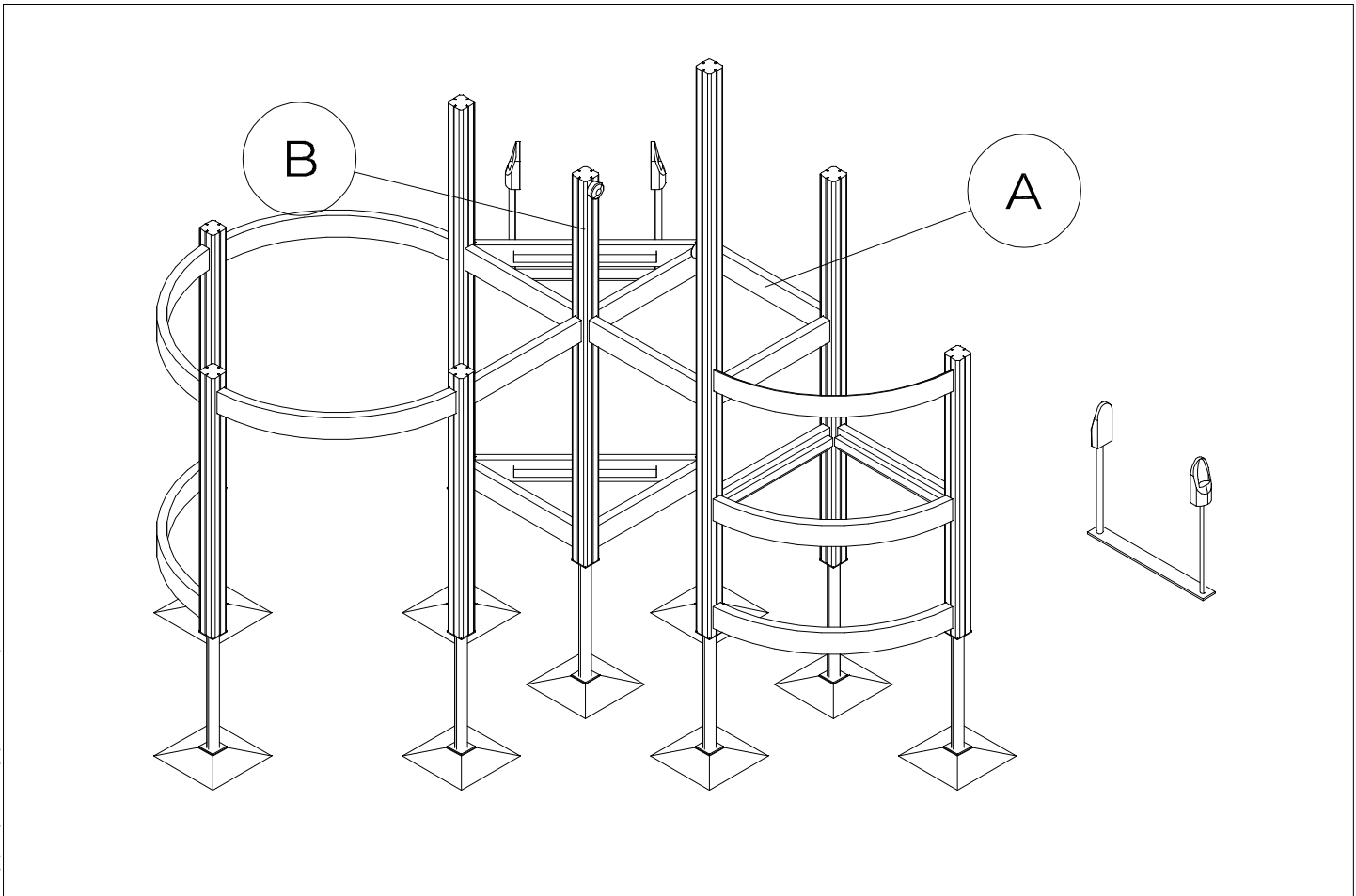
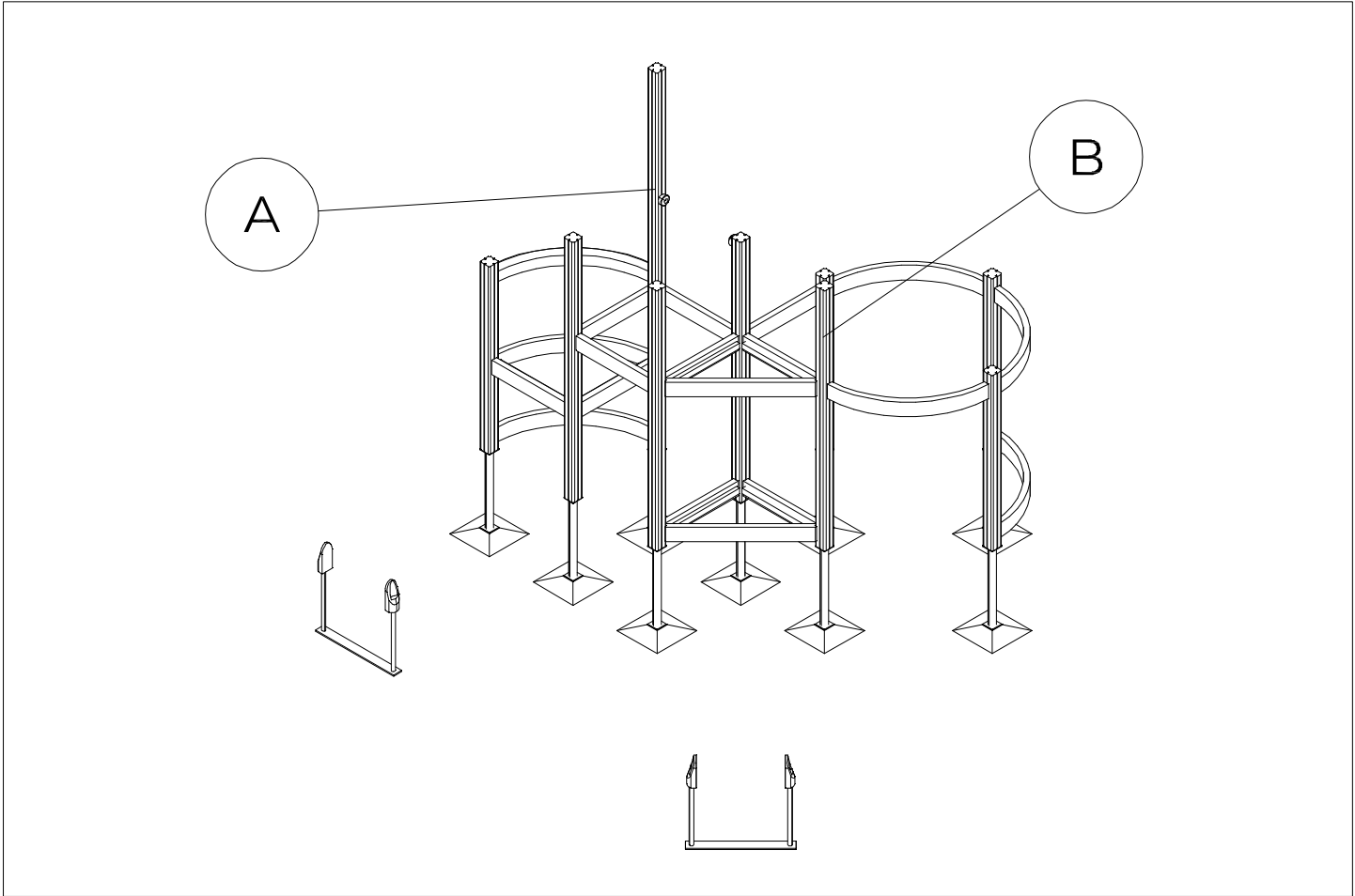
710468-001	PCS 1	712030-001	PCS 3	712031-001	PCS 1	712037-001	PCS 4	712047-001	PCS 1	712433	PCS 1
		L 1450		L 1550		L 2150		L 3150			
712497	PCS 2	712499	PCS 2	712501-001	PCS 1	712513-001	PCS 1	712517-001	PCS 1	712522-001	PCS 1
						+870				+1470	
712562	PCS 1	712619	PCS 1	712724-001	PCS 1	712730	PCS 2	712747-001	PCS 11	712751	PCS 2
				L 1096				L 704			
712754	PCS 4	712760	PCS 4	712780	PCS 3	712788	PCS 5	712797	PCS 1	712798	PCS 1
				L 704							
712817	PCS 1	712818	PCS 1	712819-001	PCS 6	712822	PCS 1	712889	PCS 9	712941-001	PCS 2
								L 700			
712954	PCS 2	712999	PCS 1	713003	PCS 1	713080	PCS 2	713087	PCS 1	713150-001	PCS 2
										L1027	
713174	PCS 1	713231	PCS 1	713352-001	PCS 1		PCS		PCS		PCS



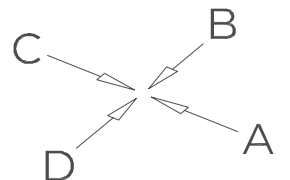
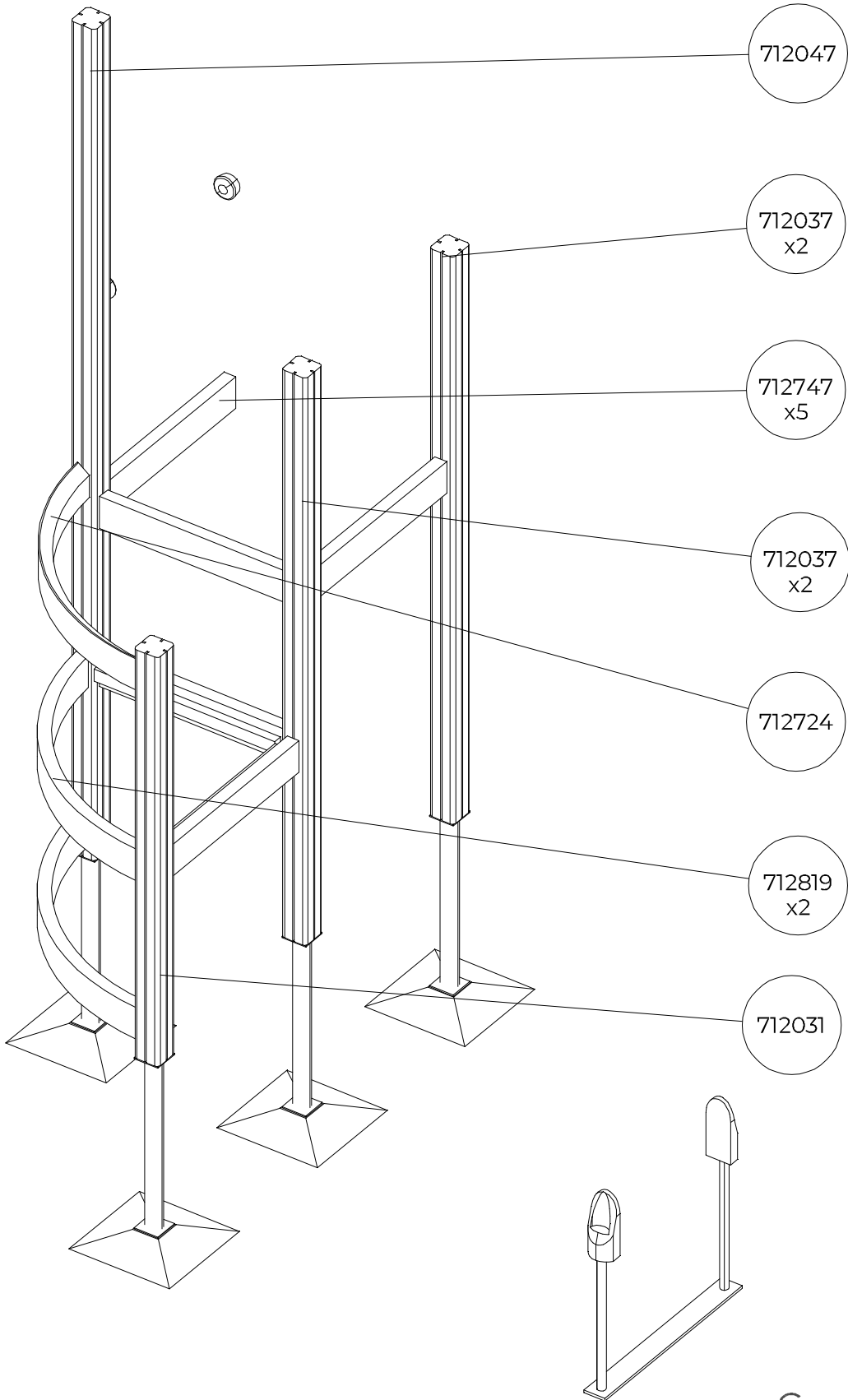
— EN/AS Impact Area 38 m<sup>2</sup>  
- - - Falling Space 39 m<sup>2</sup>  
Max Falling Height 1470 mm

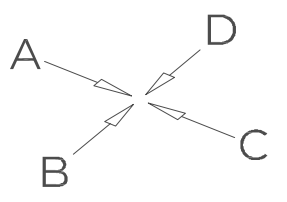
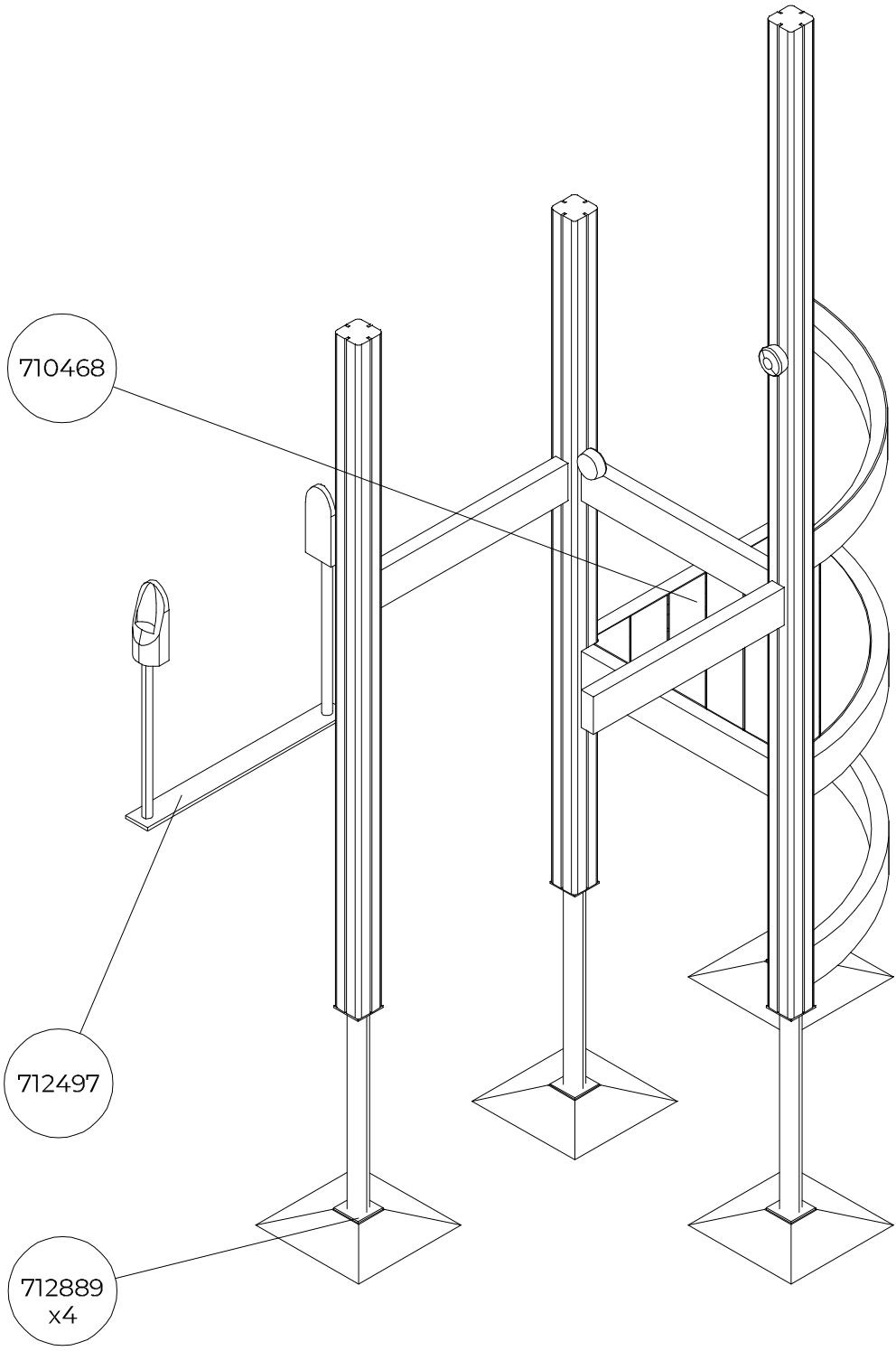


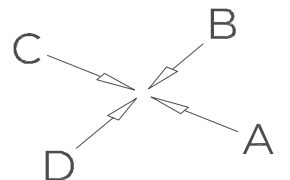
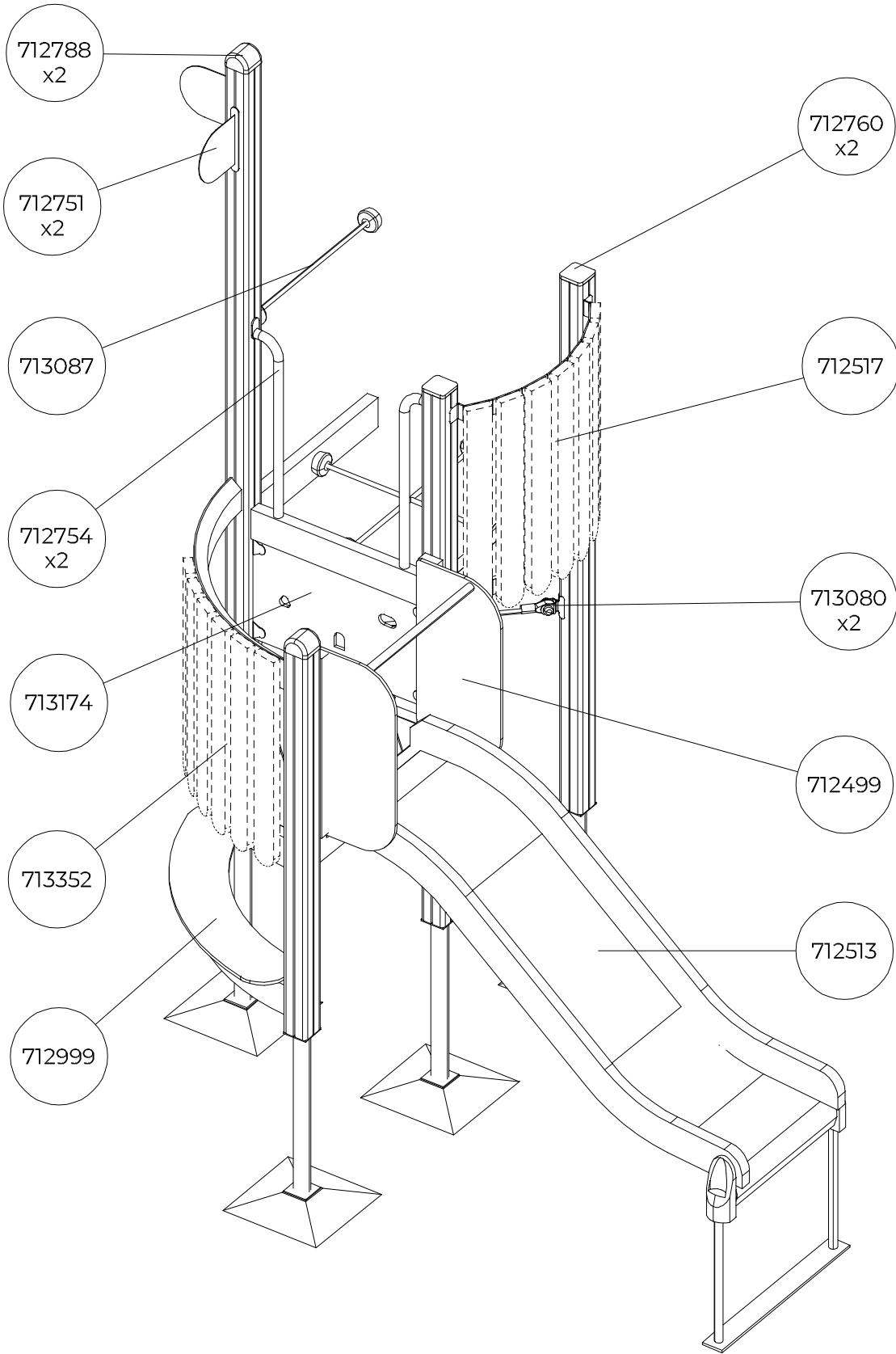


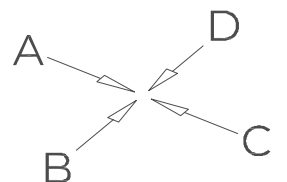
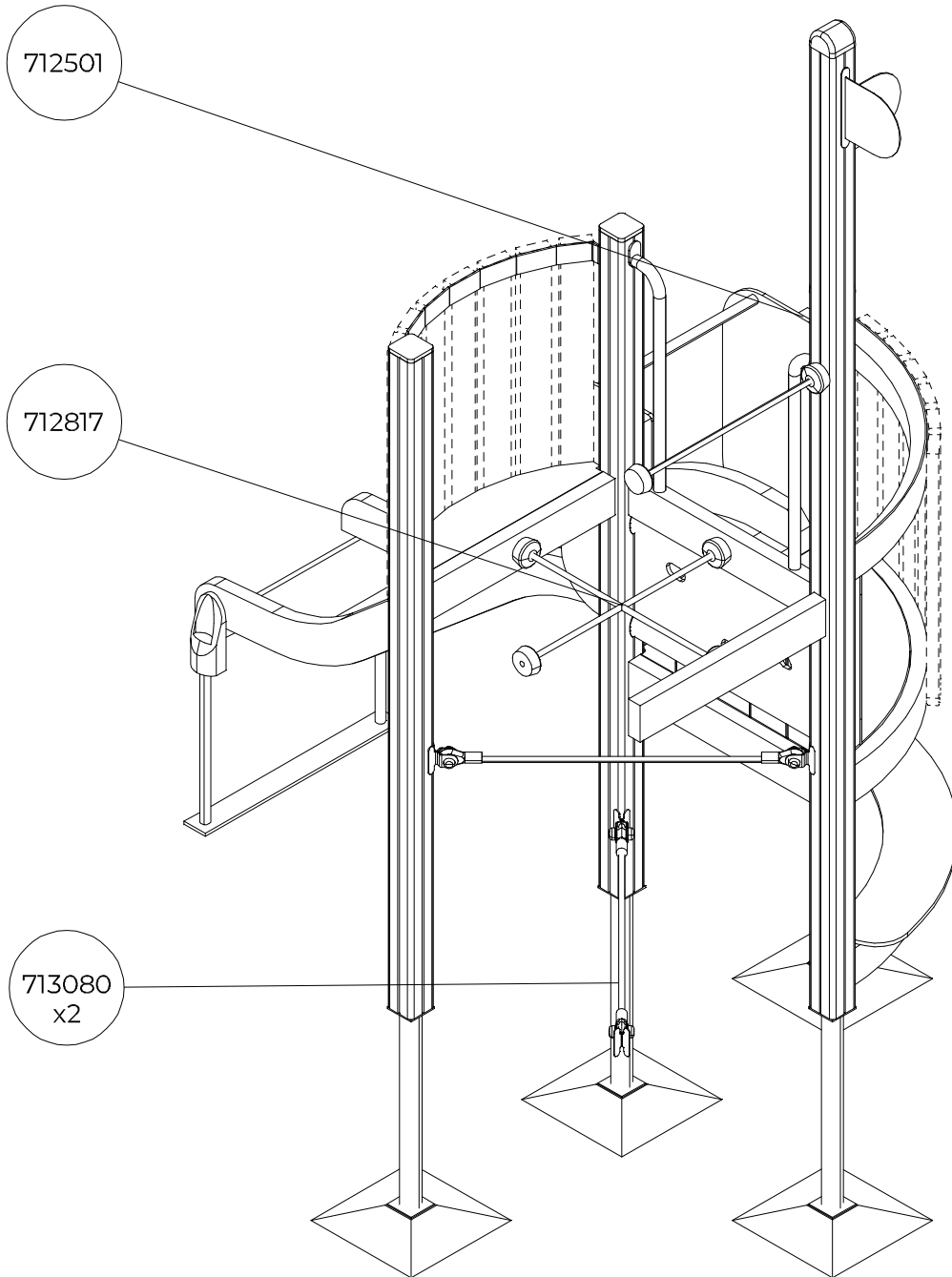


710468-001	PCS 1	712031-001	PCS 1	712037-001	PCS 2	712047-001	PCS 1	712497	PCS 1	712499	PCS 1
712501-001	PCS 1	712513-001	PCS 1	712517-001	PCS 1	712724-001	PCS 1	712747-001	PCS 5	712751	PCS 2
712754	PCS 2	712760	PCS 2	712788	PCS 2	712817	PCS 1	712819-001	PCS 2	712889	PCS 4
712999	PCS 1	713080	PCS 2	713087	PCS 1	713174	PCS 1	713352-001	PCS 1		PCS
	PCS		PCS		PCS		PCS		PCS		PCS
	PCS		PCS		PCS		PCS		PCS		PCS
	PCS		PCS		PCS		PCS		PCS		PCS

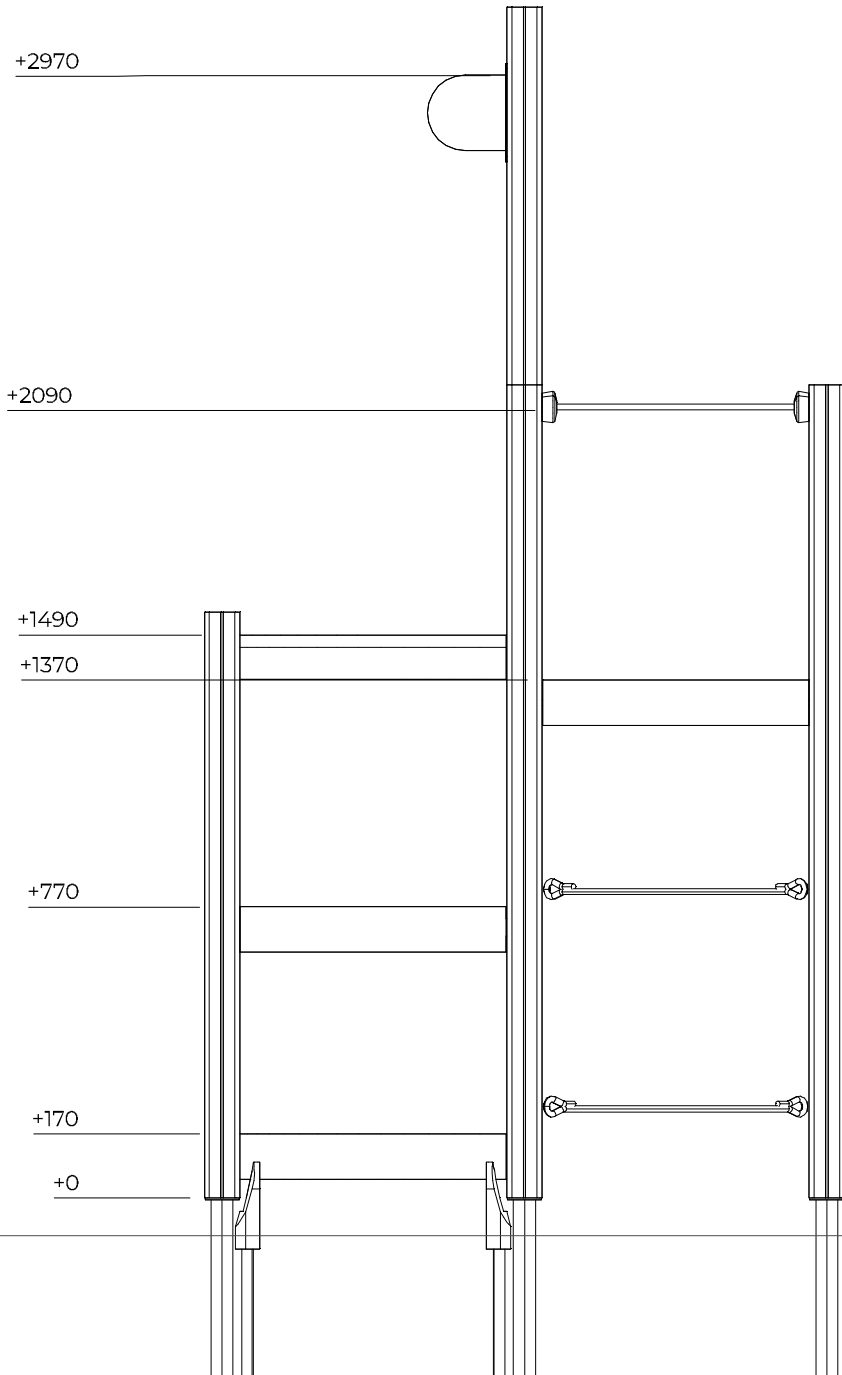




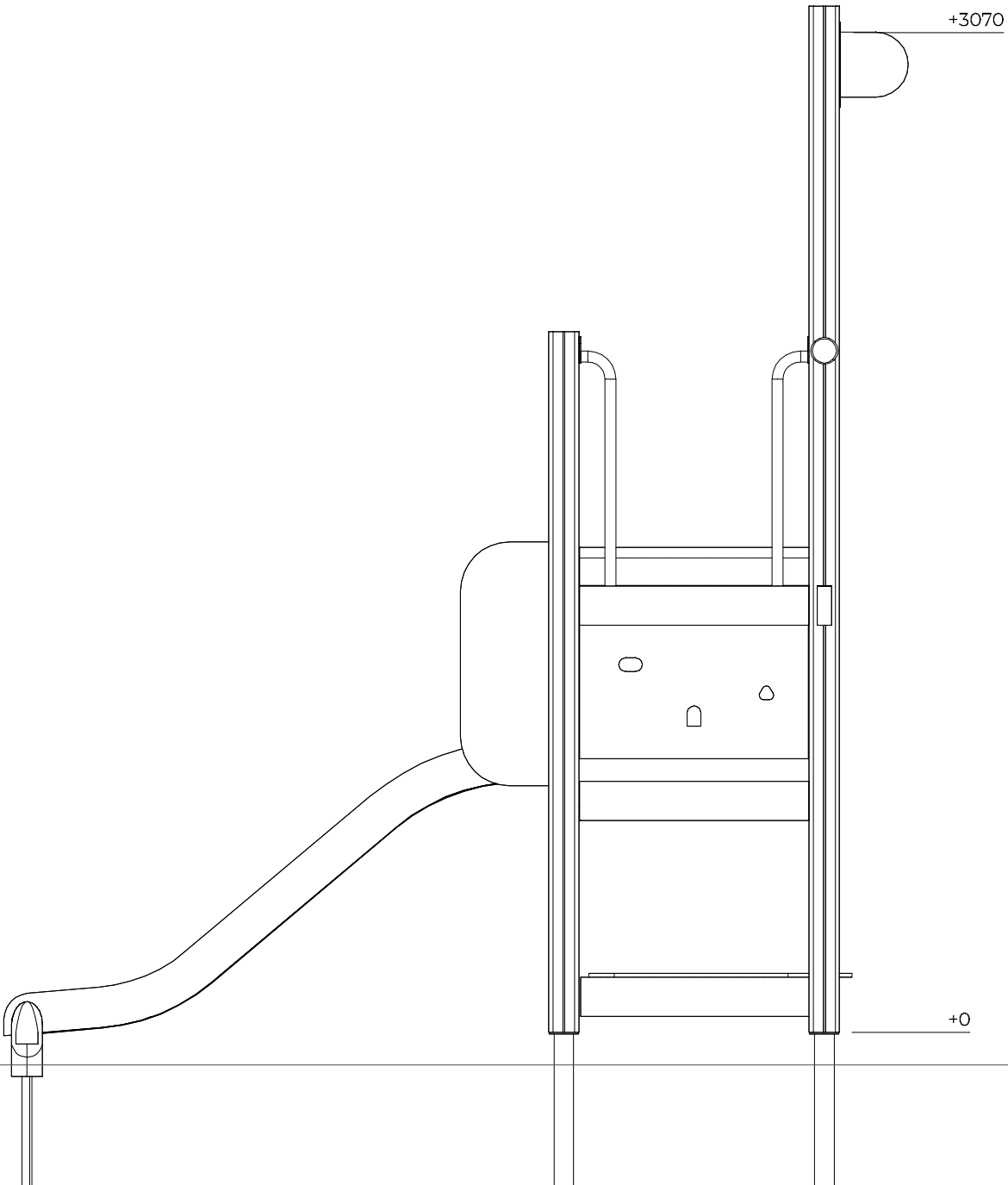




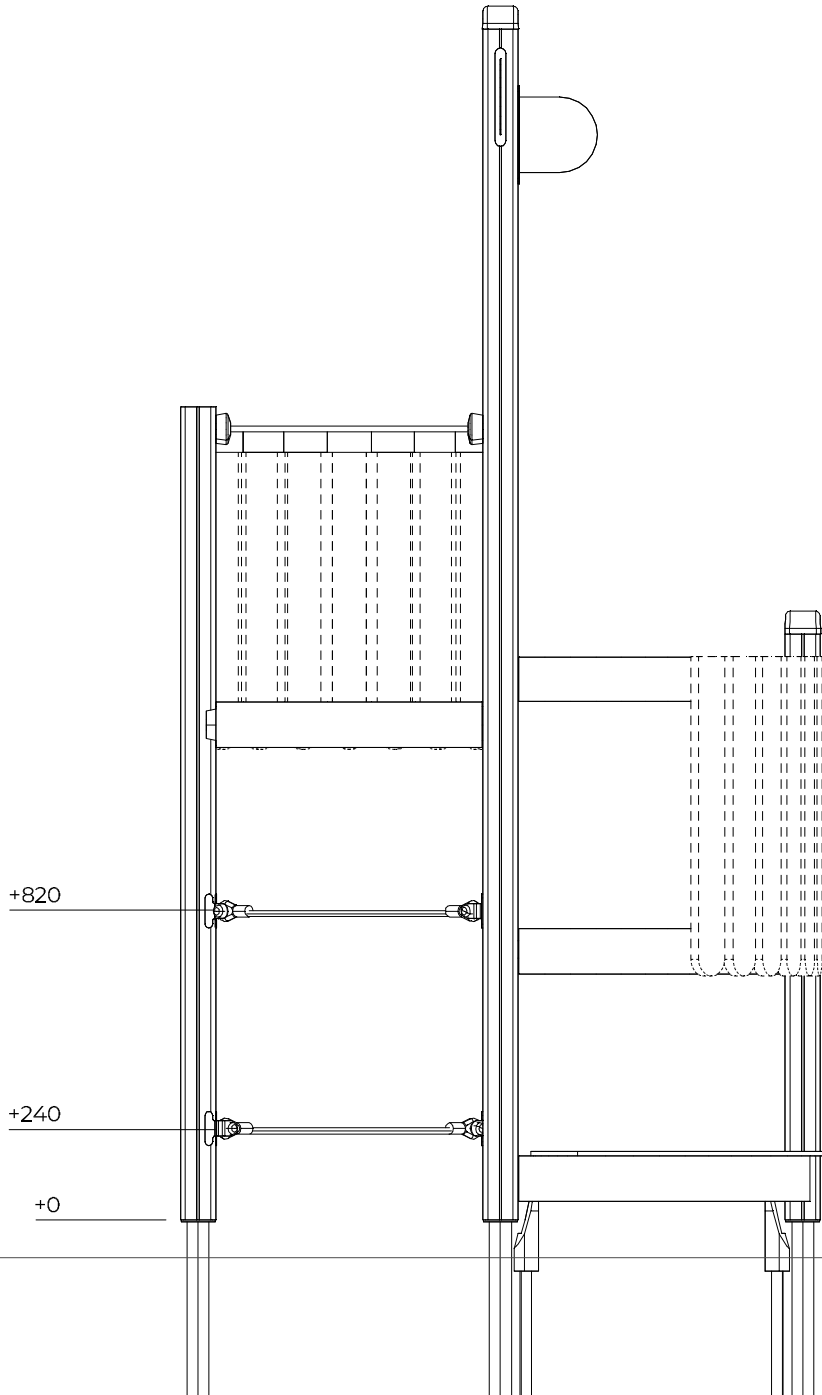
A



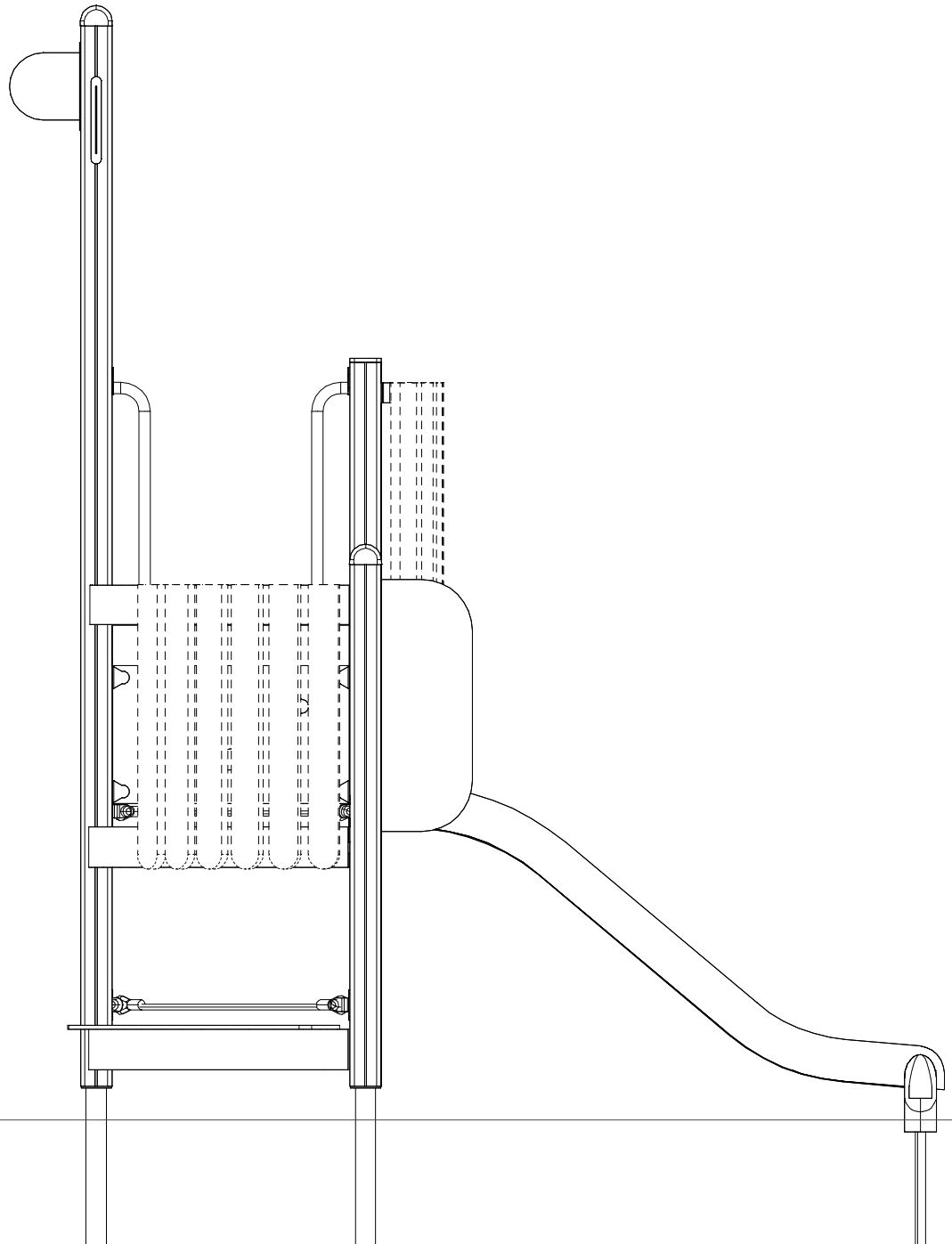
(B)



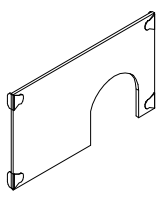
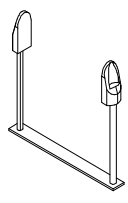
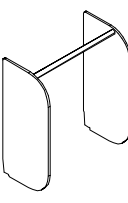
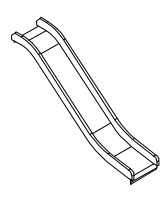
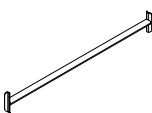
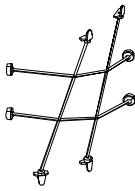

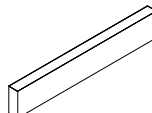
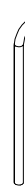
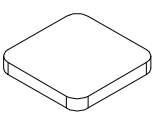
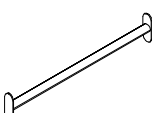
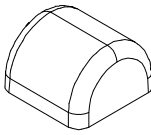

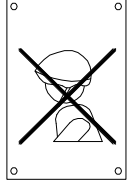
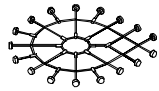

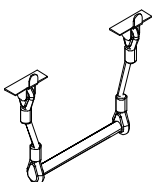
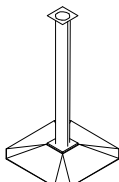
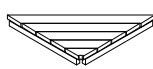


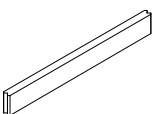
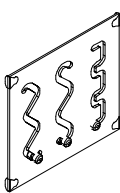


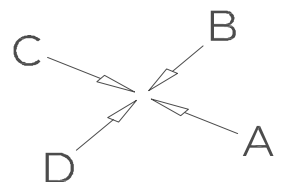
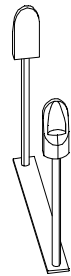
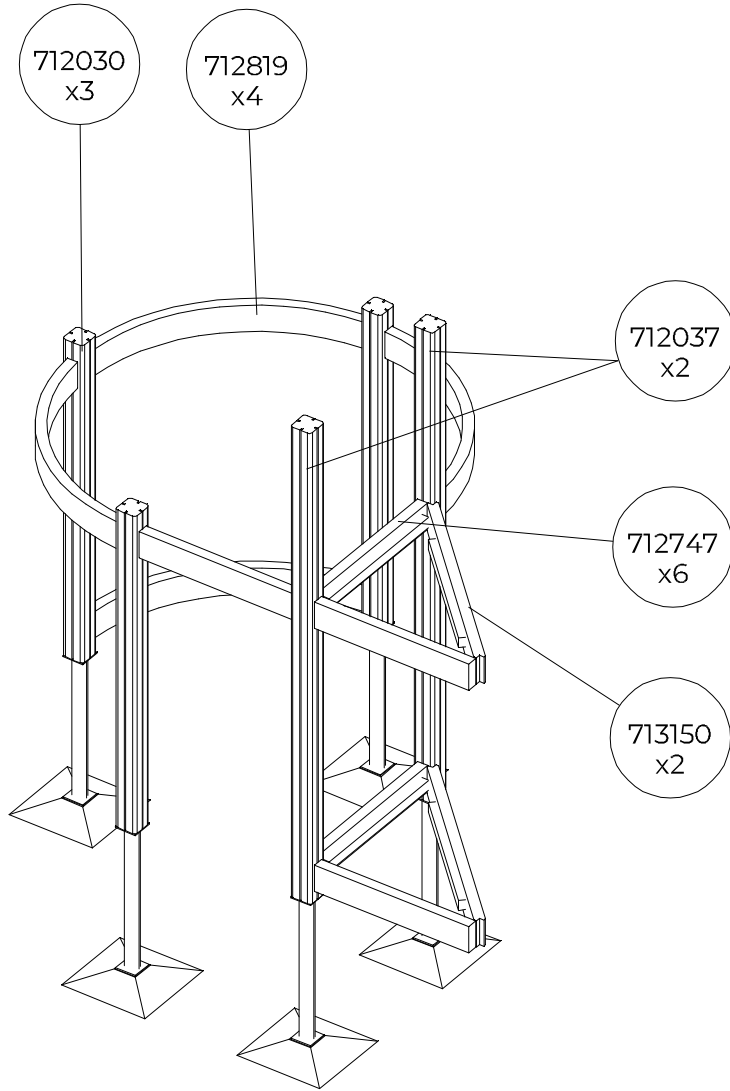
C

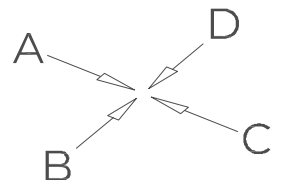
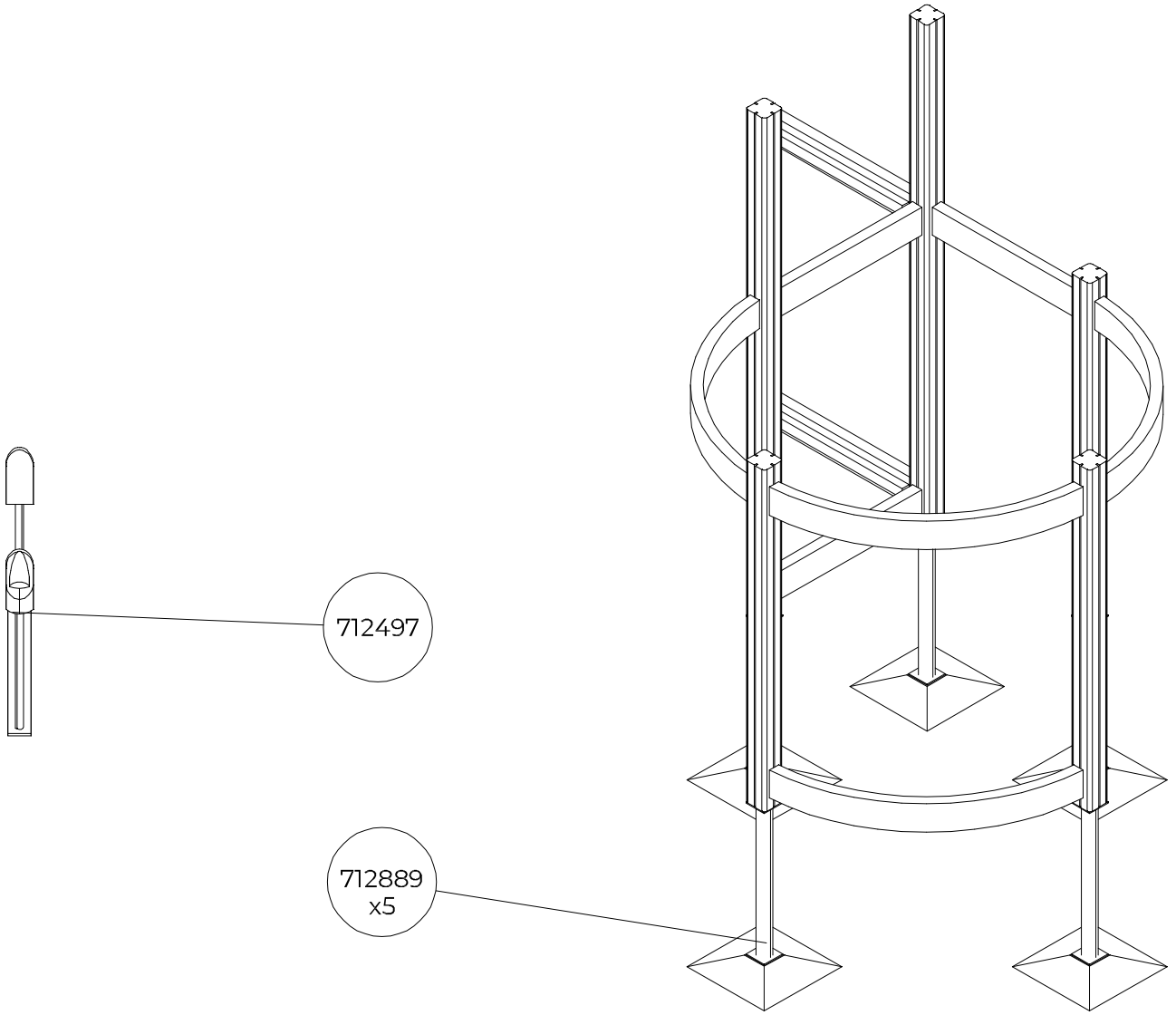


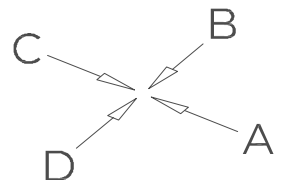
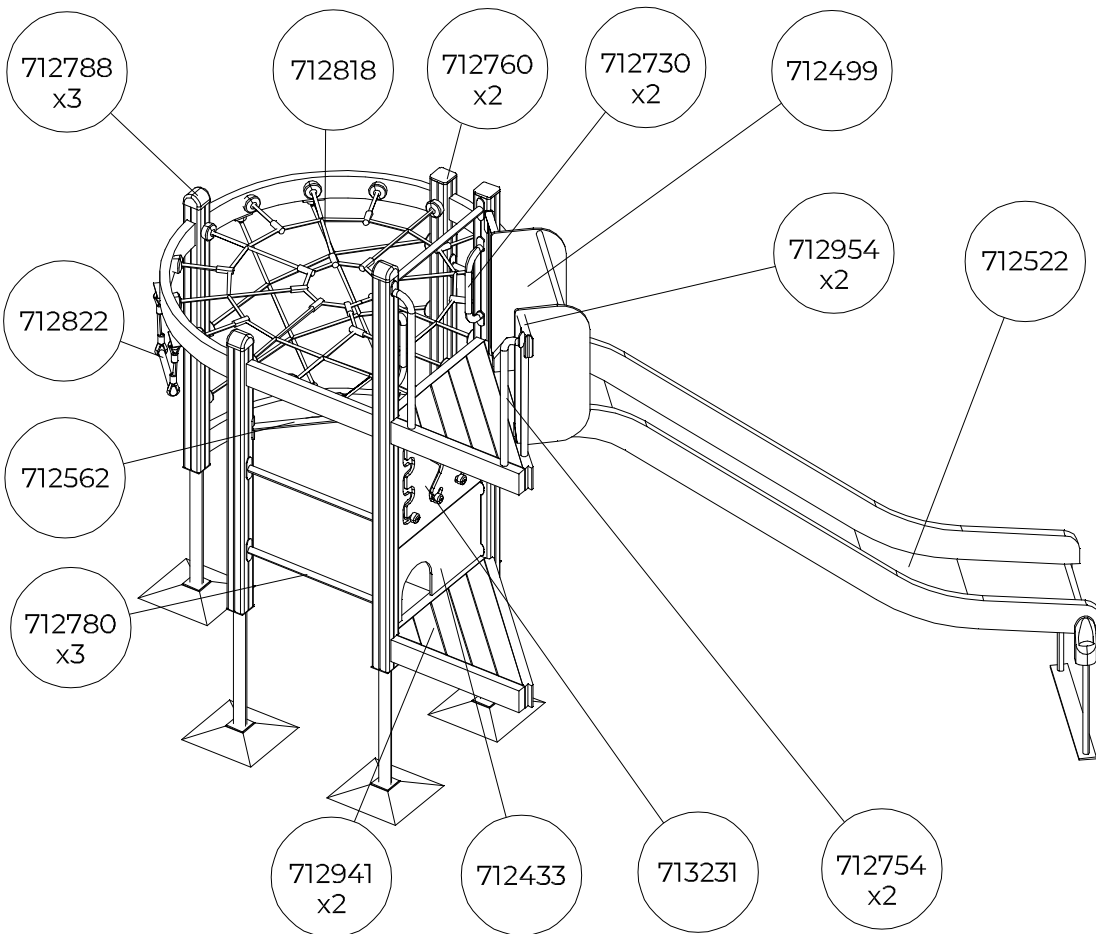
D

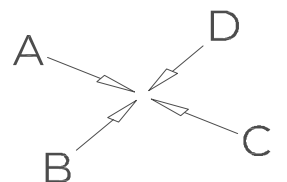
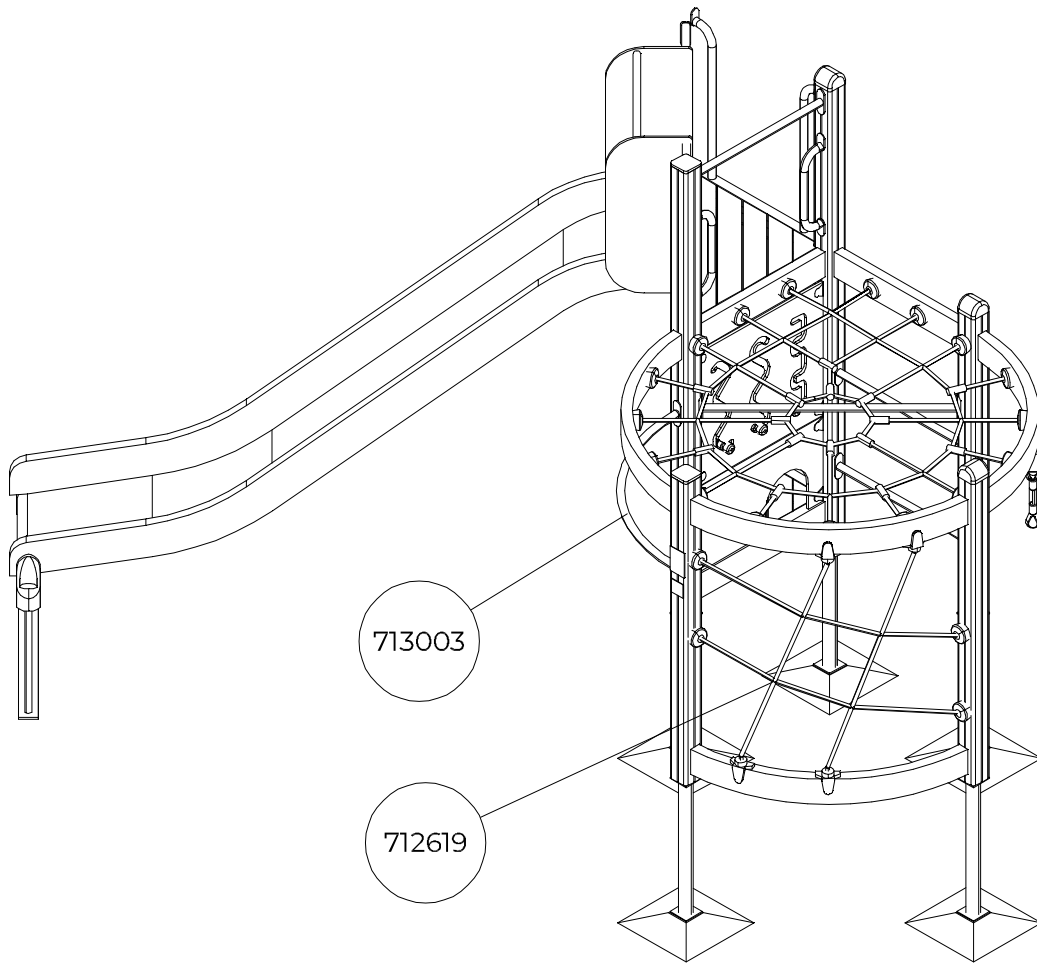


 <p>712030-001</p> <p>L 1450</p>	<p>PCS</p> <p>3</p>	 <p>712037-001</p> <p>L 2150</p>	<p>PCS</p> <p>2</p>	 <p>712433</p>	<p>PCS</p> <p>1</p>	 <p>712497</p>	<p>PCS</p> <p>1</p>	 <p>712499</p>	<p>PCS</p> <p>1</p>	 <p>712522-001</p> <p>+1470</p>	<p>PCS</p> <p>1</p>
 <p>712562</p>	<p>PCS</p> <p>1</p>	 <p>712619</p>	<p>PCS</p> <p>1</p>	 <p>712730</p>	<p>PCS</p> <p>2</p>	 <p>712747-001</p> <p>L 704</p>	<p>PCS</p> <p>6</p>	 <p>712754</p>	<p>PCS</p> <p>2</p>	 <p>712760</p>	<p>PCS</p> <p>2</p>
 <p>712780</p> <p>L 704</p>	<p>PCS</p> <p>3</p>	 <p>712788</p>	<p>PCS</p> <p>3</p>	 <p>712797</p>	<p>PCS</p> <p>1</p>	 <p>712798</p>	<p>PCS</p> <p>1</p>	 <p>712818</p>	<p>PCS</p> <p>1</p>	 <p>712819-001</p>	<p>PCS</p> <p>4</p>
 <p>712822</p>	<p>PCS</p> <p>1</p>	 <p>712889</p> <p>L 700</p>	<p>PCS</p> <p>5</p>	 <p>712941-001</p>	<p>PCS</p> <p>2</p>	 <p>712954</p>	<p>PCS</p> <p>2</p>	 <p>713003</p>	<p>PCS</p> <p>1</p>	 <p>713150-001</p> <p>L1027</p>	<p>PCS</p> <p>2</p>
 <p>713231</p>	<p>PCS</p> <p>1</p>		<p>PCS</p>		<p>PCS</p>		<p>PCS</p>		<p>PCS</p>		<p>PCS</p>
	<p>PCS</p>		<p>PCS</p>		<p>PCS</p>		<p>PCS</p>		<p>PCS</p>		<p>PCS</p>
	<p>PCS</p>		<p>PCS</p>		<p>PCS</p>		<p>PCS</p>		<p>PCS</p>		<p>PCS</p>



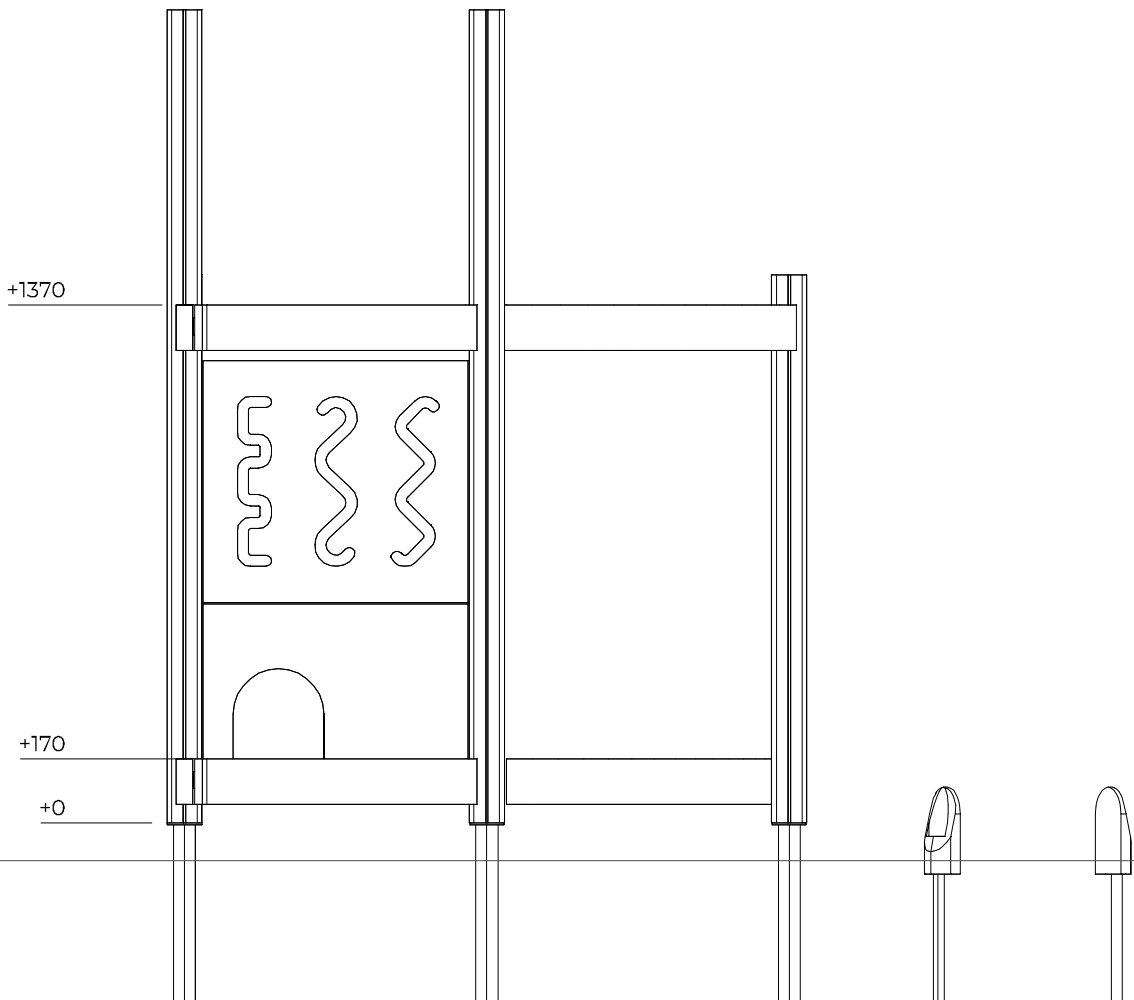






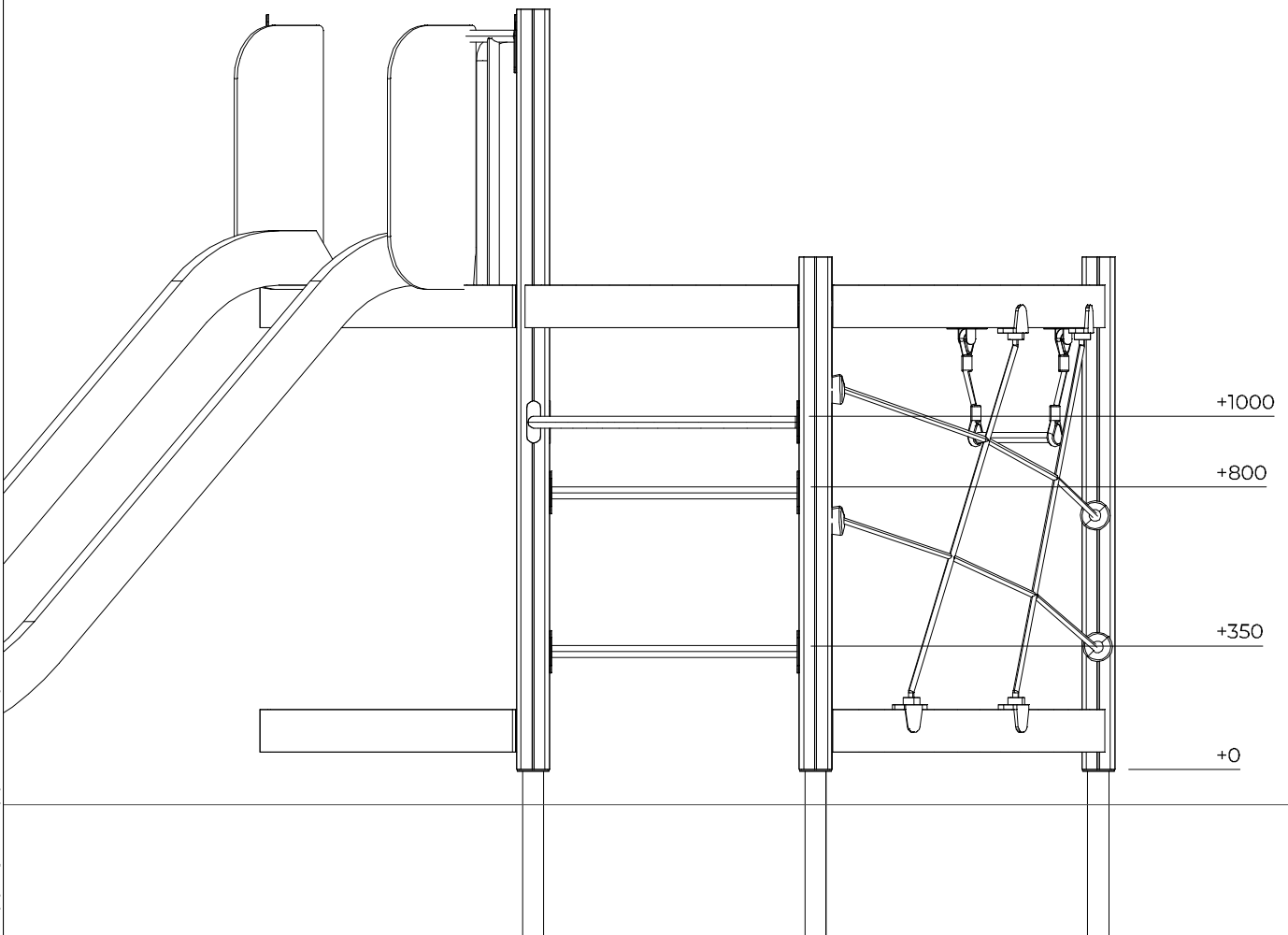
A

1:20



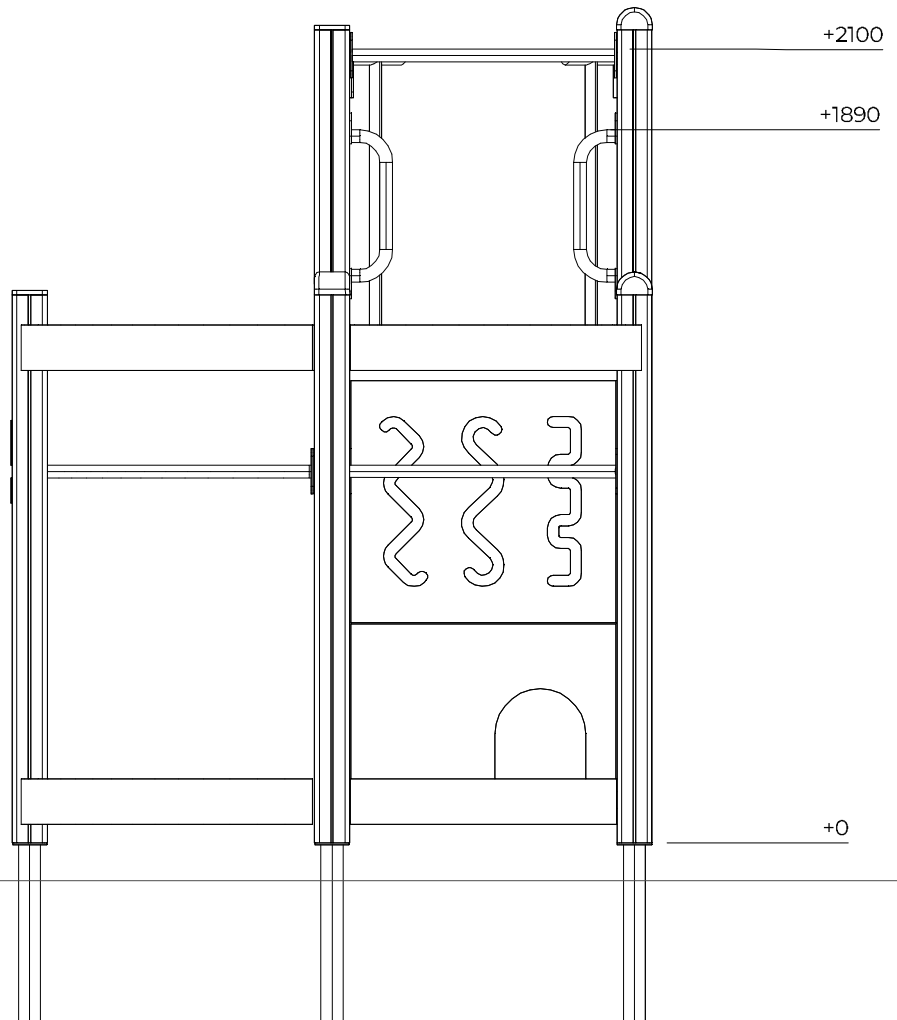
B

1:20



C

1:20



D

1:20

