

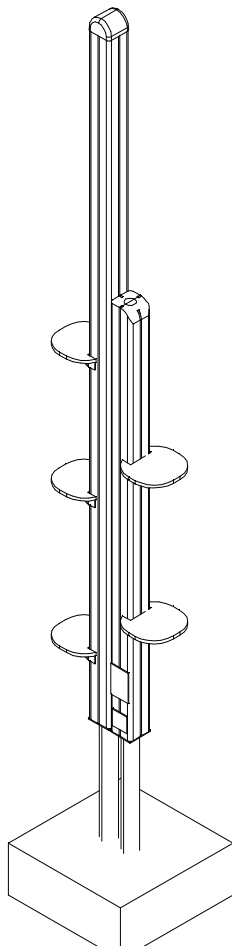


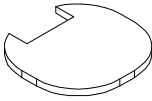

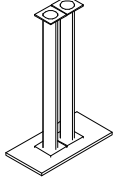
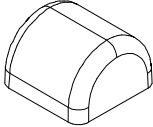
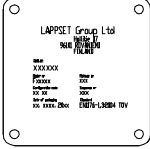
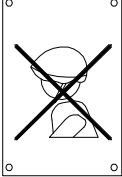





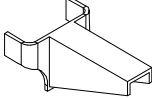


PRIME

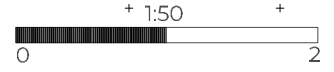
ASENNUSOHJE
MONTERINGSANSVISNING
INSTALLATION INSTRUCTION
AUFBAUANLEITUNG
NOTICE D'INSTALLATION

DATE: 3.12.2025

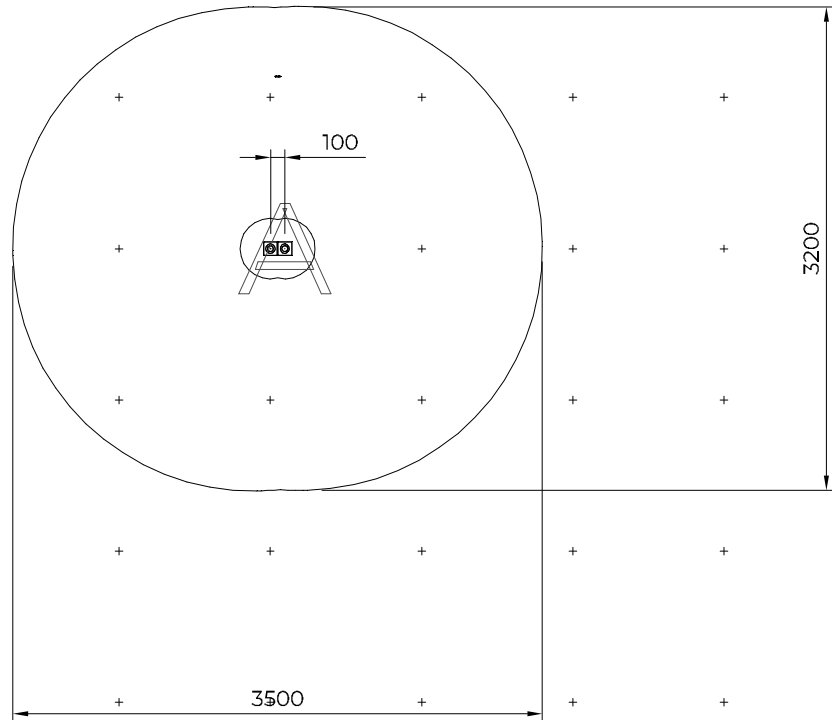
F24807M



712007	PCS 5	712042-001	PCS 1	712547	PCS 1	712788	PCS 1	712797	PCS 1	712798	PCS 1
											
		L 2650		L 700 							
712910	PCS 5	713035-001	PCS 1		PCS		PCS		PCS		PCS
											
		L 1650									
	PCS		PCS		PCS		PCS		PCS		PCS
	PCS		PCS		PCS		PCS		PCS		PCS
	PCS		PCS		PCS		PCS		PCS		PCS
	PCS		PCS		PCS		PCS		PCS		PCS

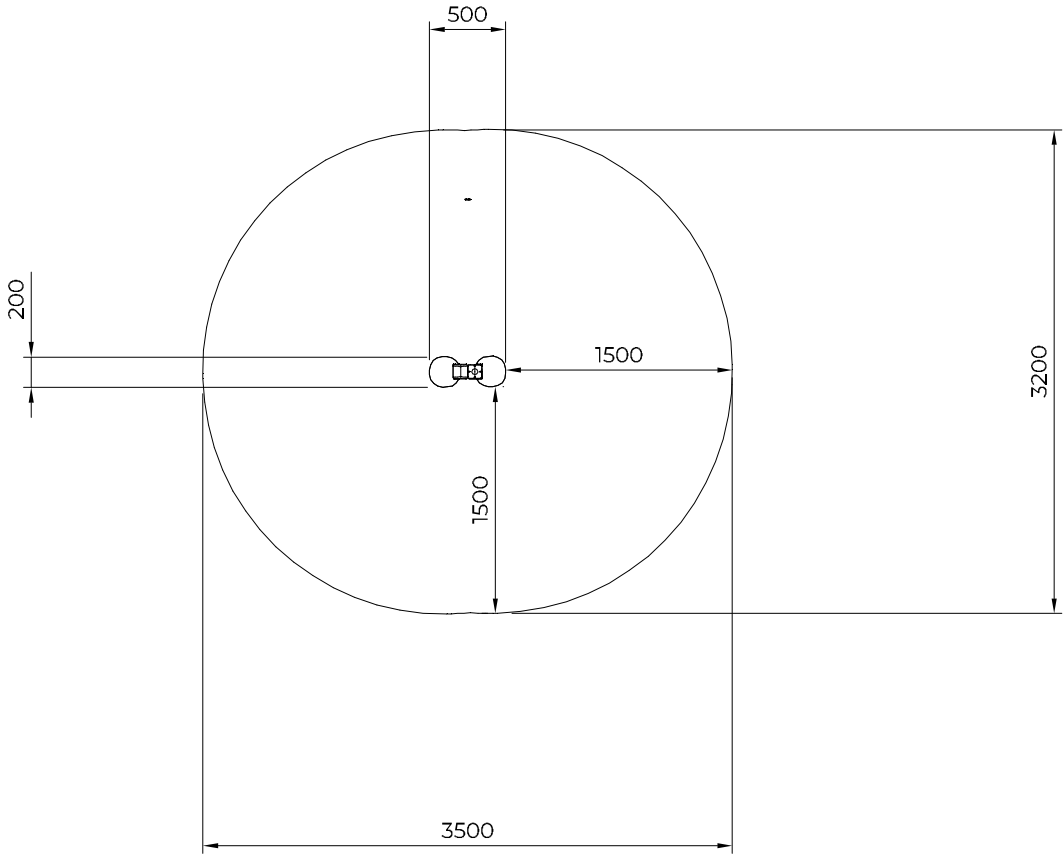
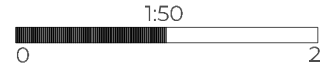


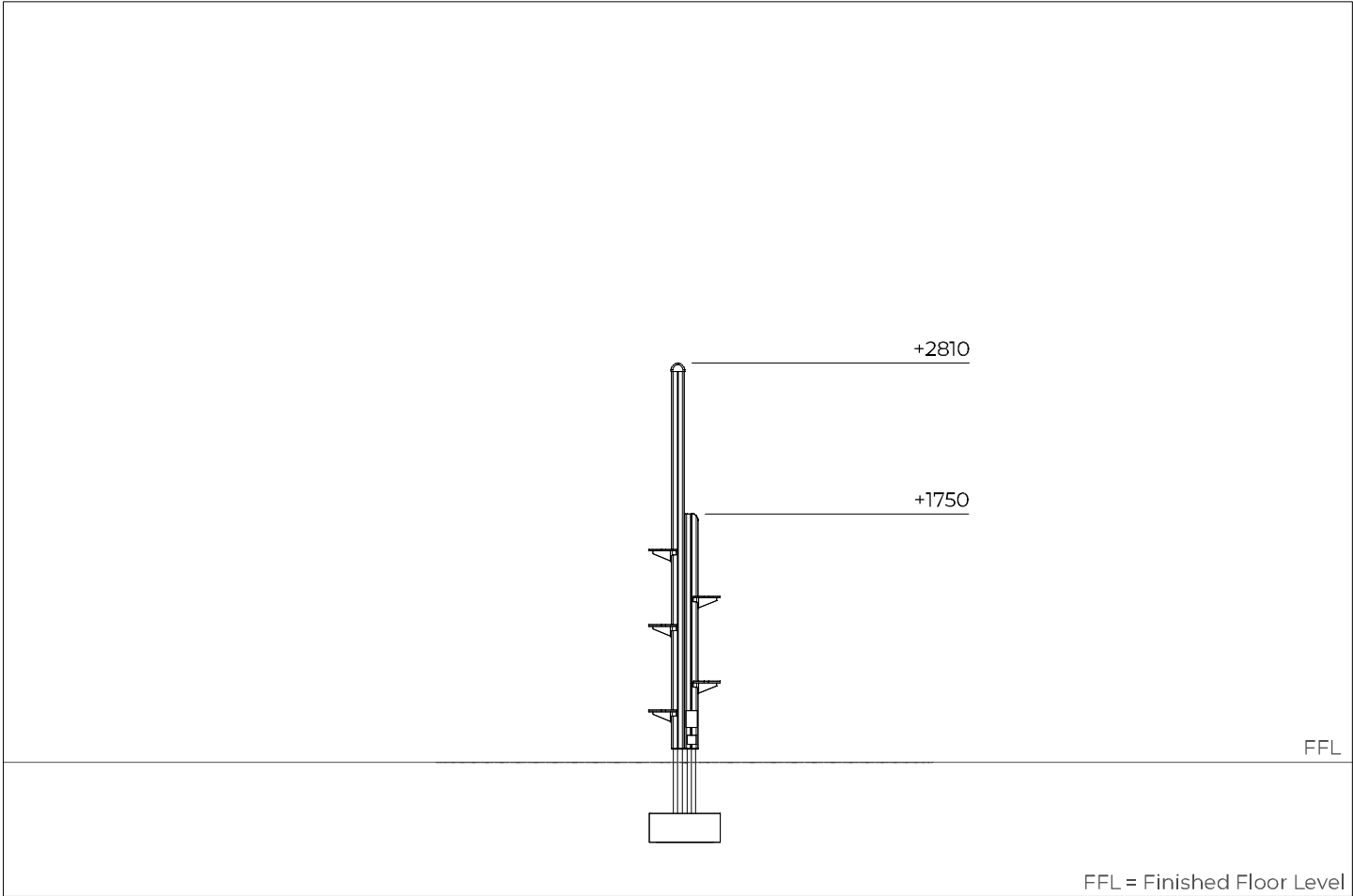
Grid size = 1000 mm



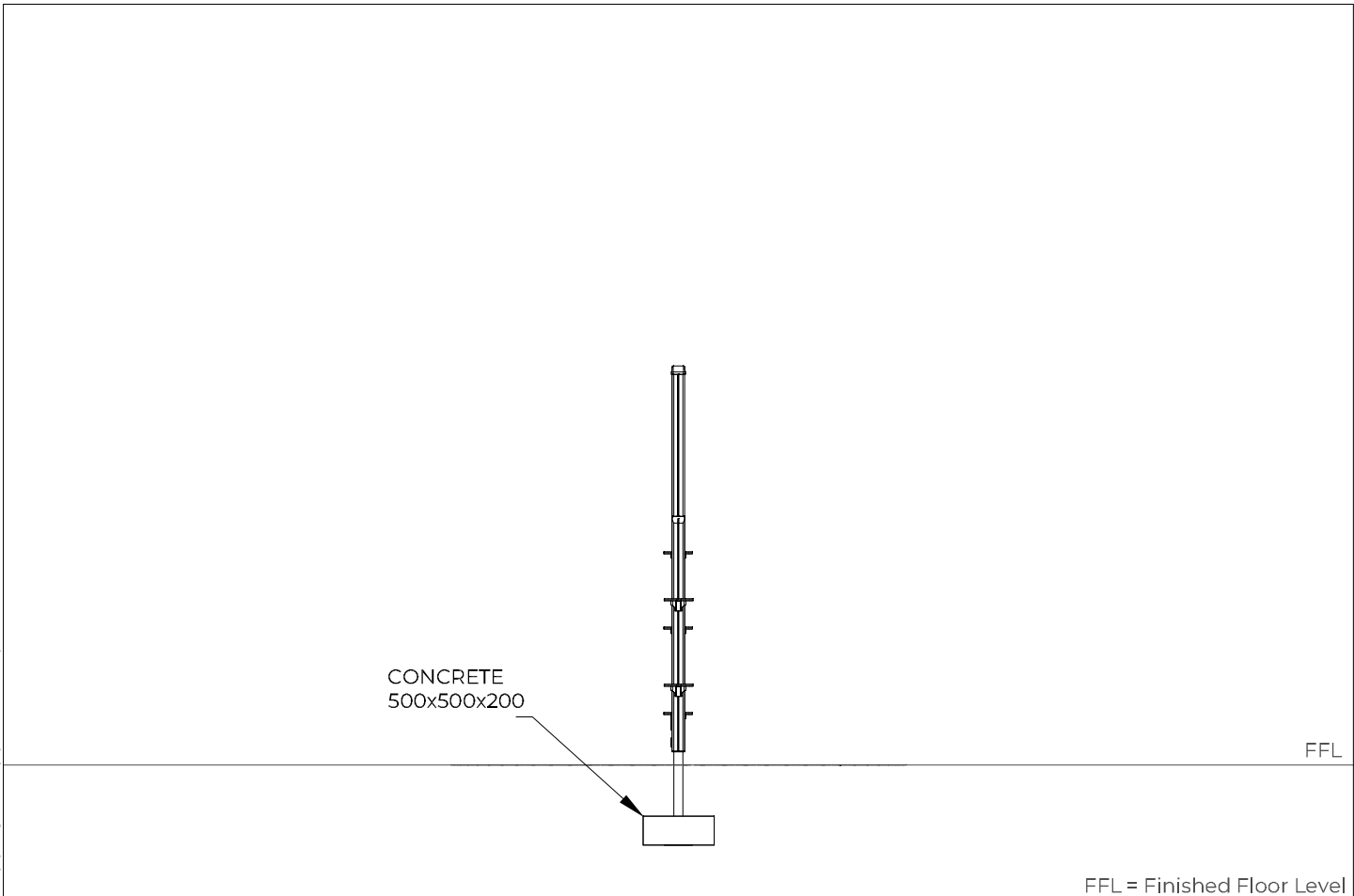
—— EN/AS Impact Area 9 m²

- - - - Falling Space 9 m²

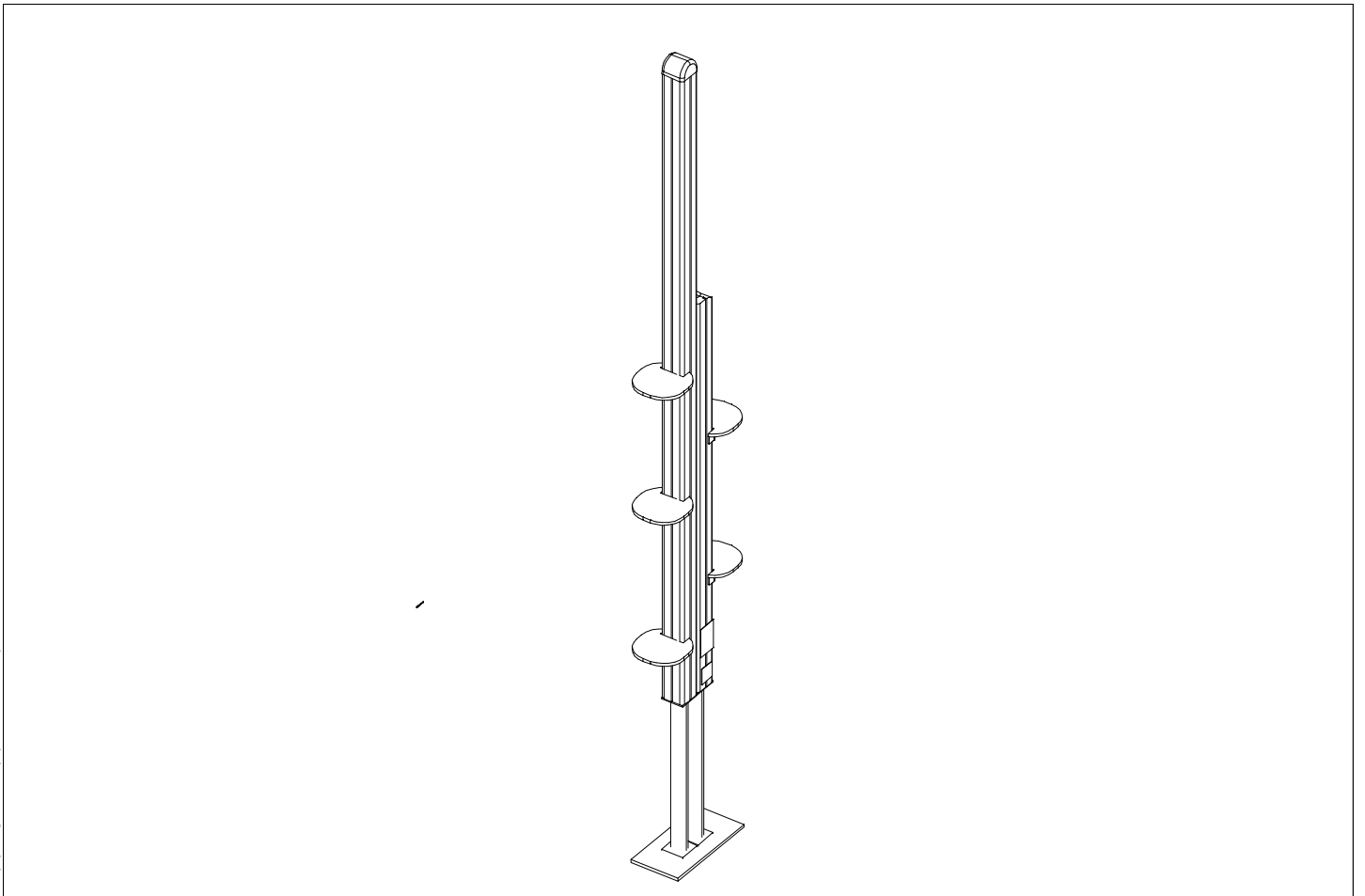
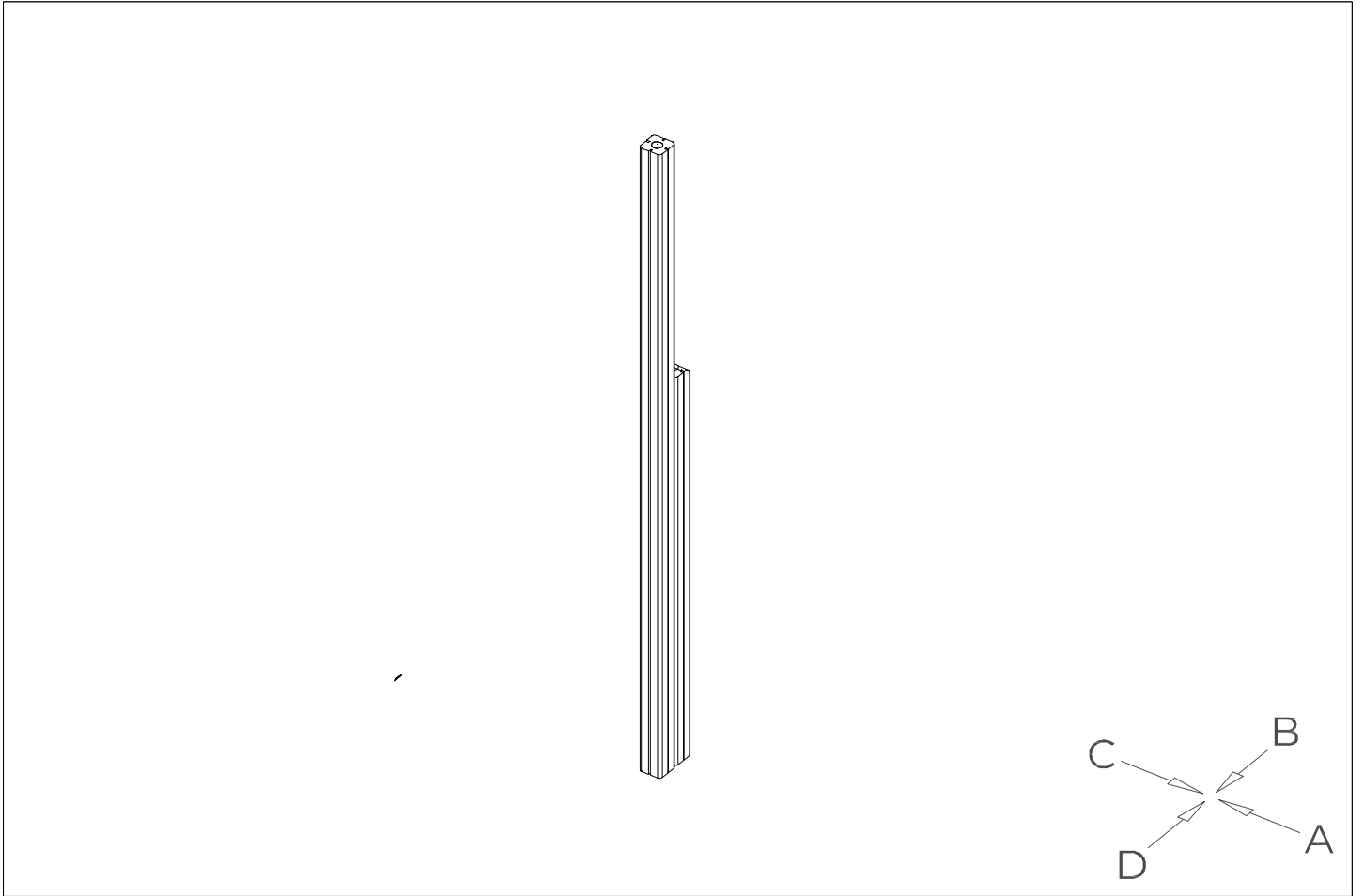




FFL = Finished Floor Level



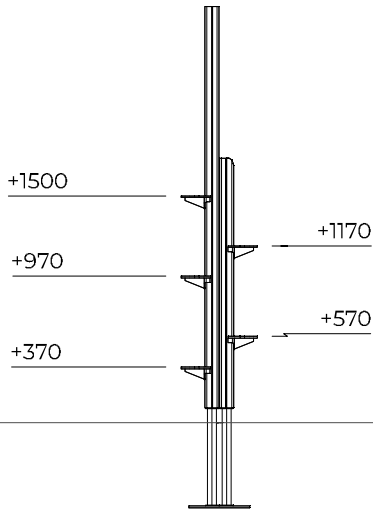
FFL = Finished Floor Level



A

1:50

B



C

D

