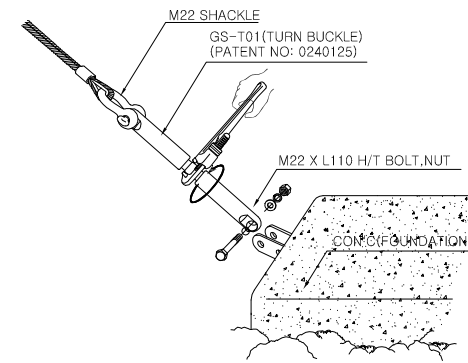


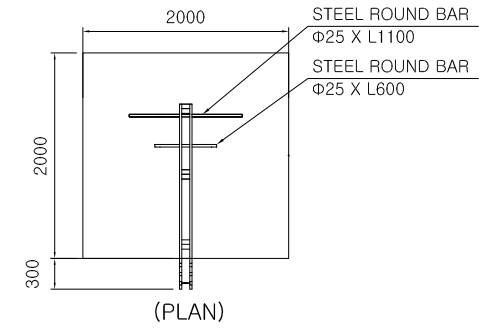
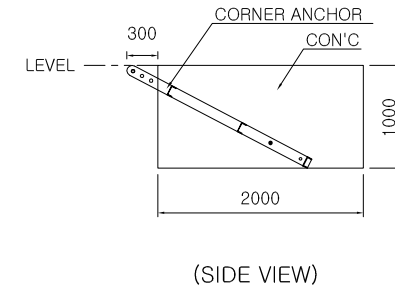
SINGLE MAST NET CLIMBER

GS-W1006

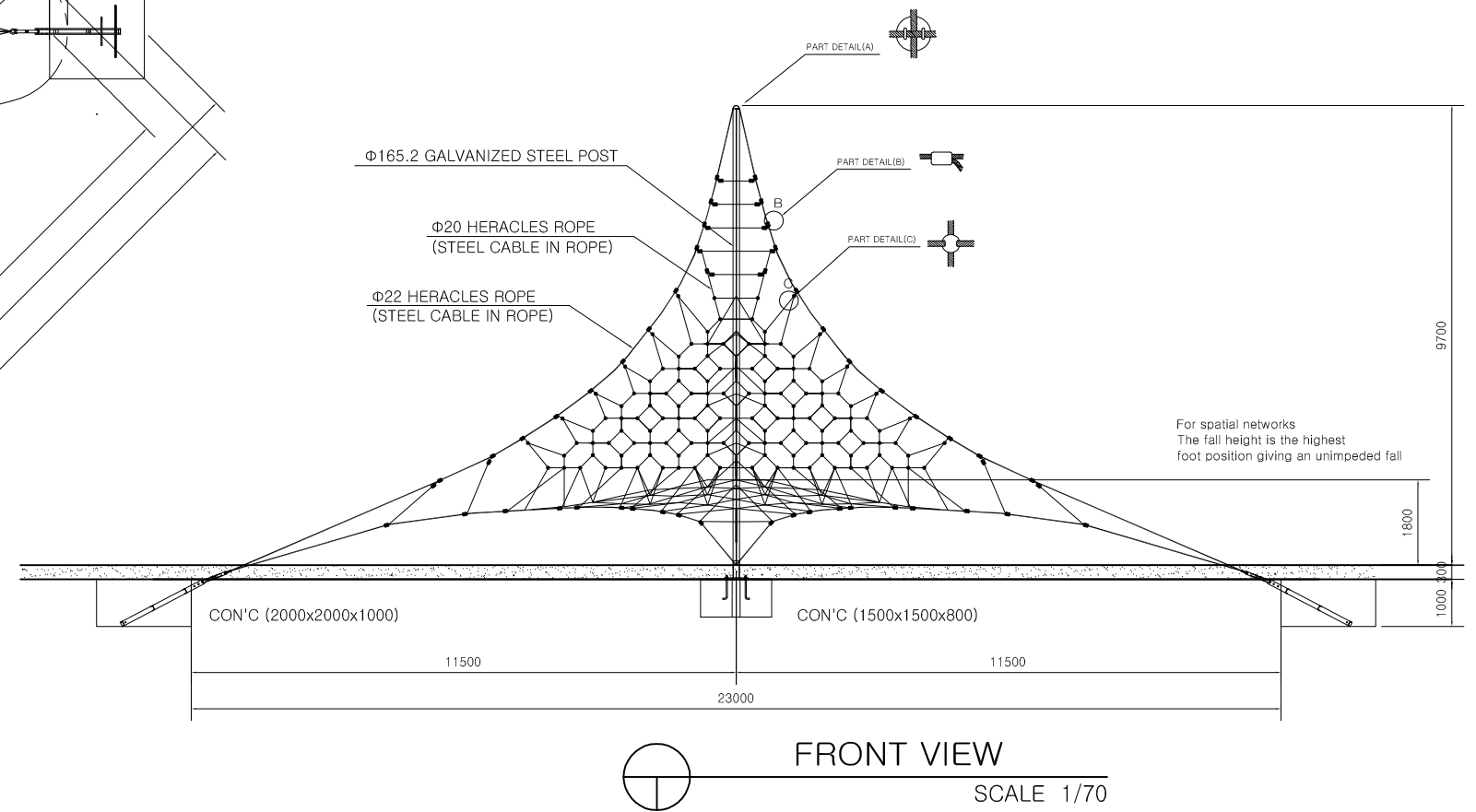
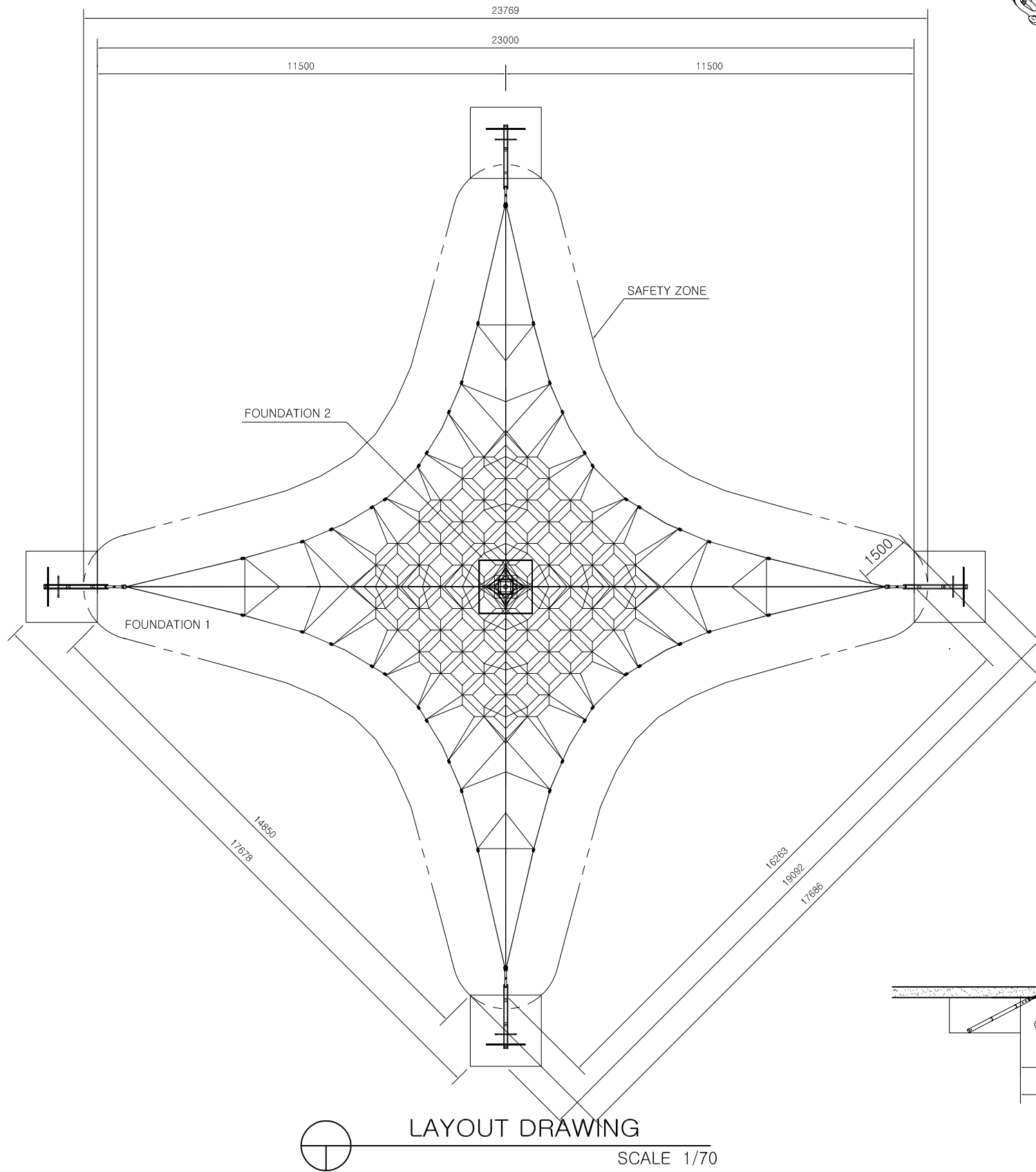
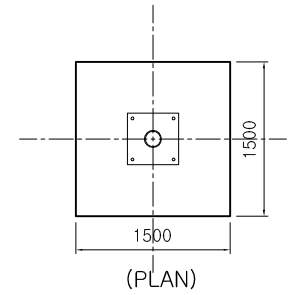
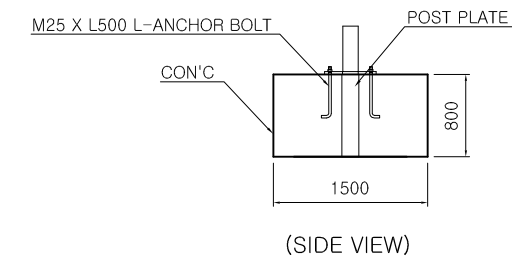
CONNECTOR DETAIL



FOUNDATION 1 DETAIL



FOUNDATION 2 DETAIL



Safety Checklist after first assembly

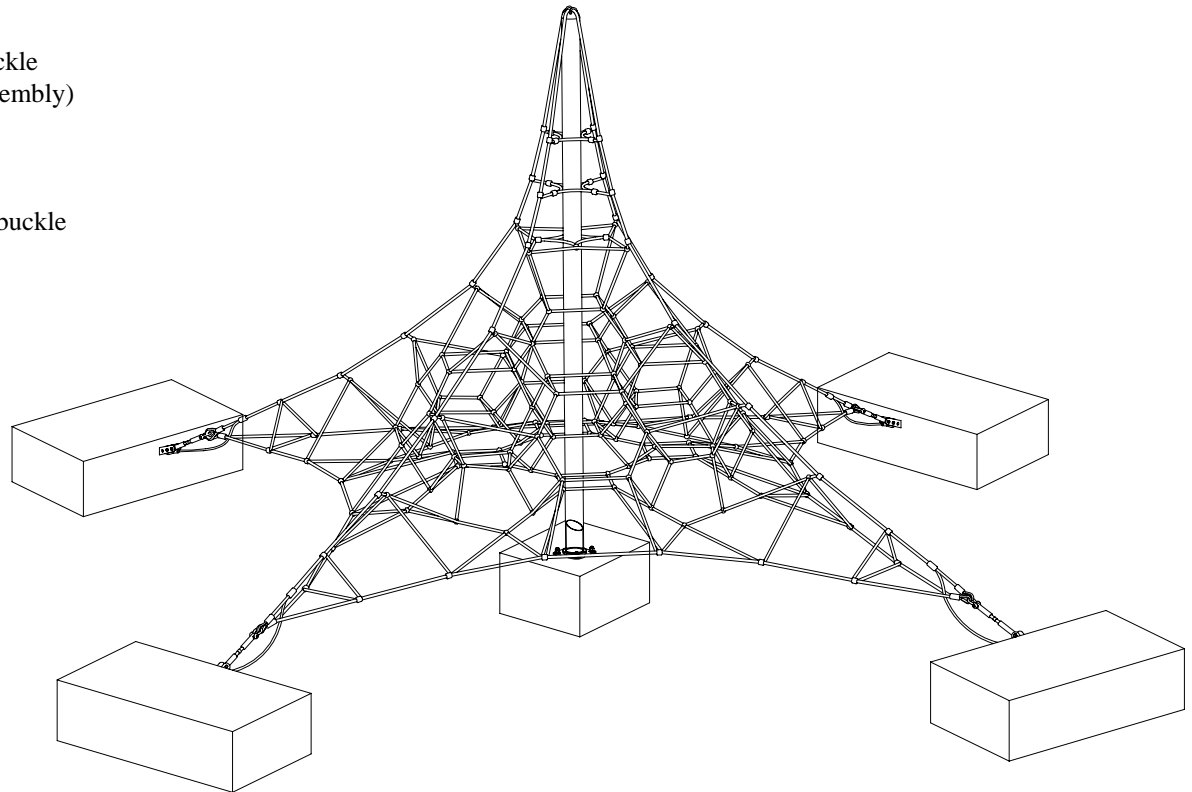
● **Test intervals of Safety: 6 months**

● **Test Component and contents:**

1. Removing the reticulated system:
 - Check of removing condition each rope
 - Screwing the turn buckle and conversion the turnbuckle in anchors plate(see for this workstep turnbuckle assembly)
2. Abrasion condition of rope:
 - Checking of all rope surface
 - Strengthened of rope: Coating on the surface
3. Attachment condition of the anchors plate and turnbuckle
4. Screwing condition of all bolt
5. Galvanizing condition of the steel component:
 - Protection of steel component from corrosion.

● **Measure**

In case of the appearance the defect detail is repaired usually within 3 days after checking.



GSWEB PLAYGROUND EQUIPMENT

1046-3, Najeon-ri, Saengnim-myeon, Gimhae-si
Gyeongsangnam-do, 621-821, Republic Of Korea

Tel) +82. 55. 326. 9096~7

Fax) +82. 55. 326. 9022

E-mail) gswebinfo@chol.com

Web site) www.gsweb21.com

Features

This series is a pyramid-style climbing structure made of steel-loaded Nylon cables and comes protected against UV.

GS Web uses the highest steel content and the strongest connection materials in the industry, including a steel-wire core in our edge ropes and connection points crushed in place with over 75 tons of pressure to ensure long life of the games and maximum safety for the children.

GS Web Nets help bring movement, balance, exercise and fun back into the playground.

Ages: 6 to 14 years

Capacity: 157 children

Size: L: 53' 4" / 16.26m

W: 53' 4" / 16.26m

H: 31' 10" / 9.70m

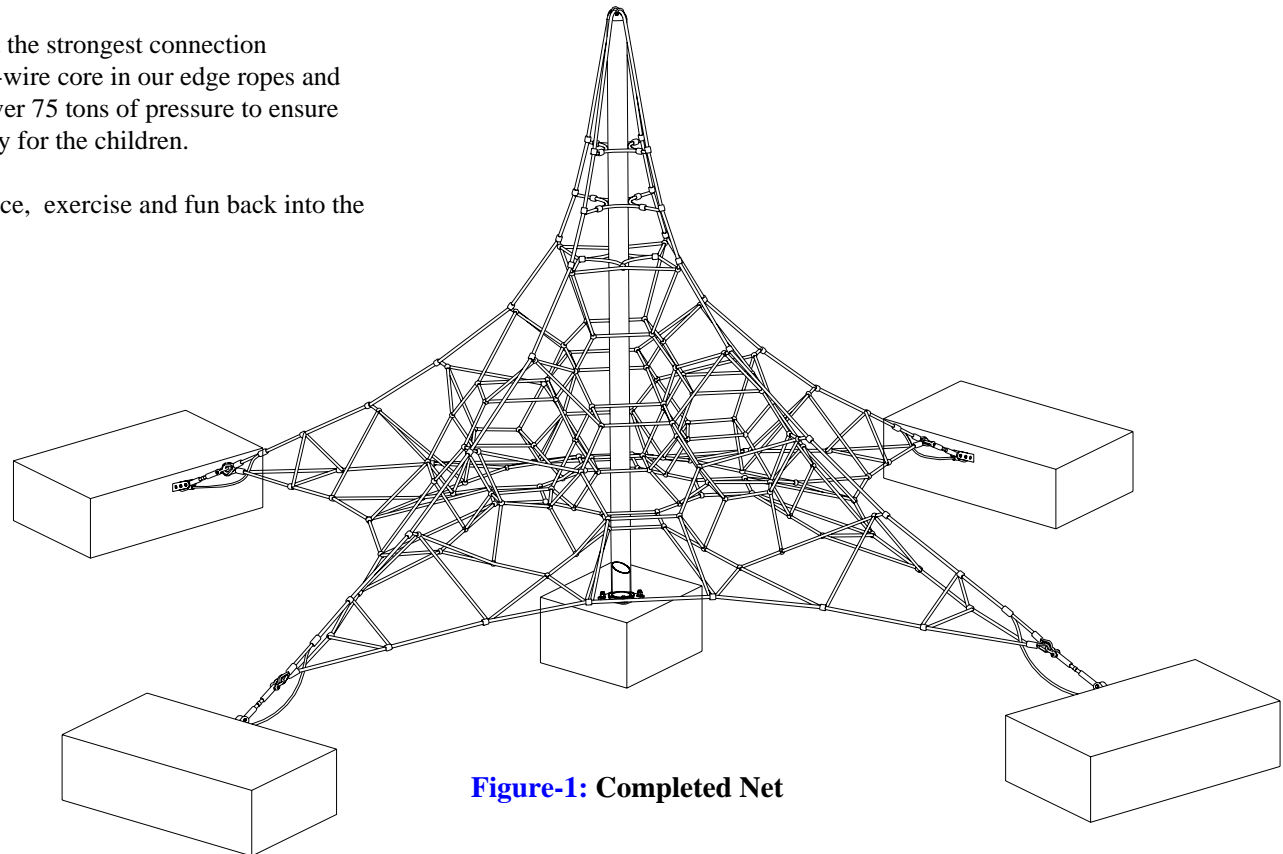


Figure-1: Completed Net

Safety area

The requirements for space and safety clearances are taken from BS-EN 1176-1/ ASTM-F1487/ CSA Z614
 The use zone for stationary play equipment shall extend no less than 72 in.(1830mm) from all sides of the play structure.

Fall Height : 2200mm (from surface)

The Fall height on the external surface of a pyramid shaped space net is the highest point attainable on the edge of the structure where an unimpeded fall to the protective surface is possible. This height is based on the centre of gravity height of the maximum user.

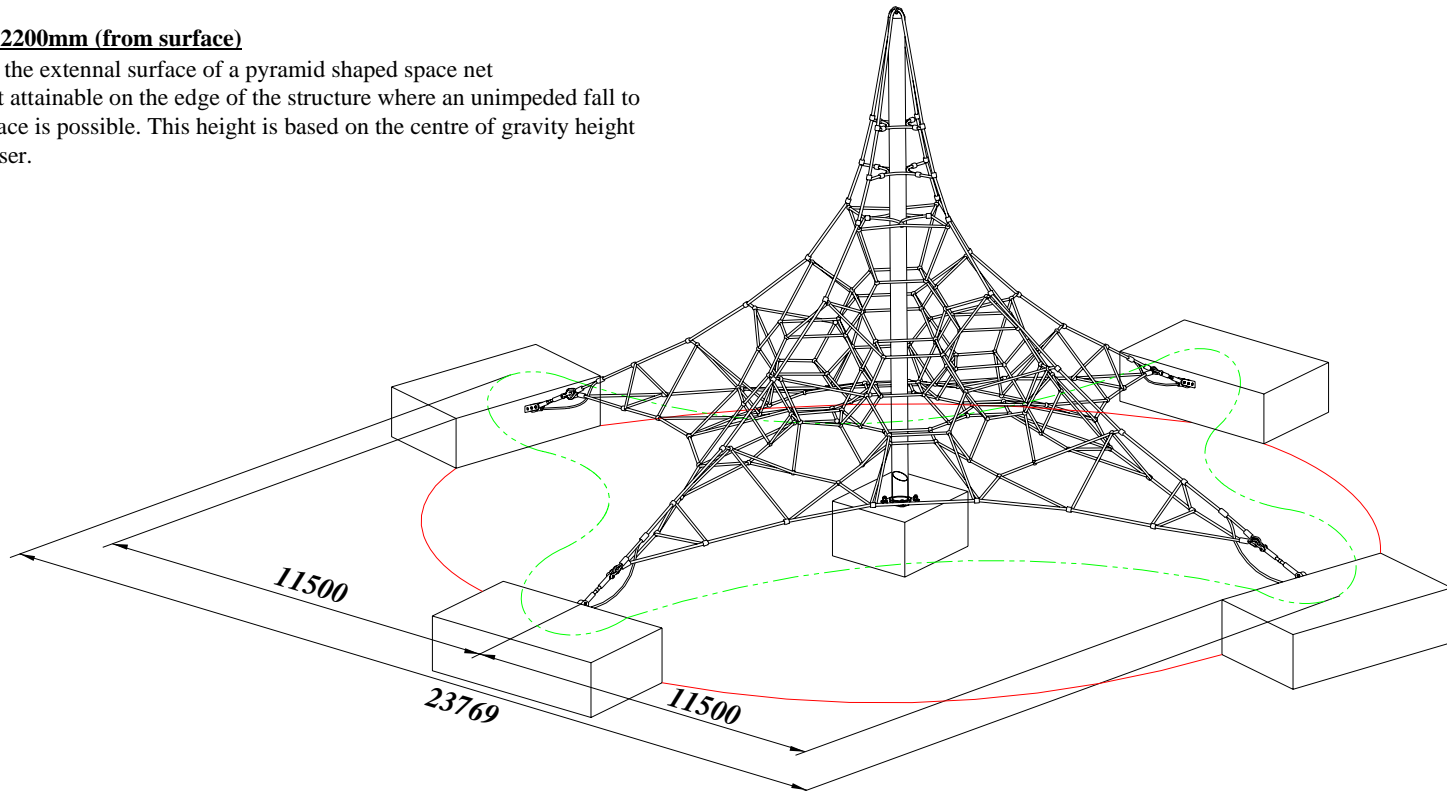
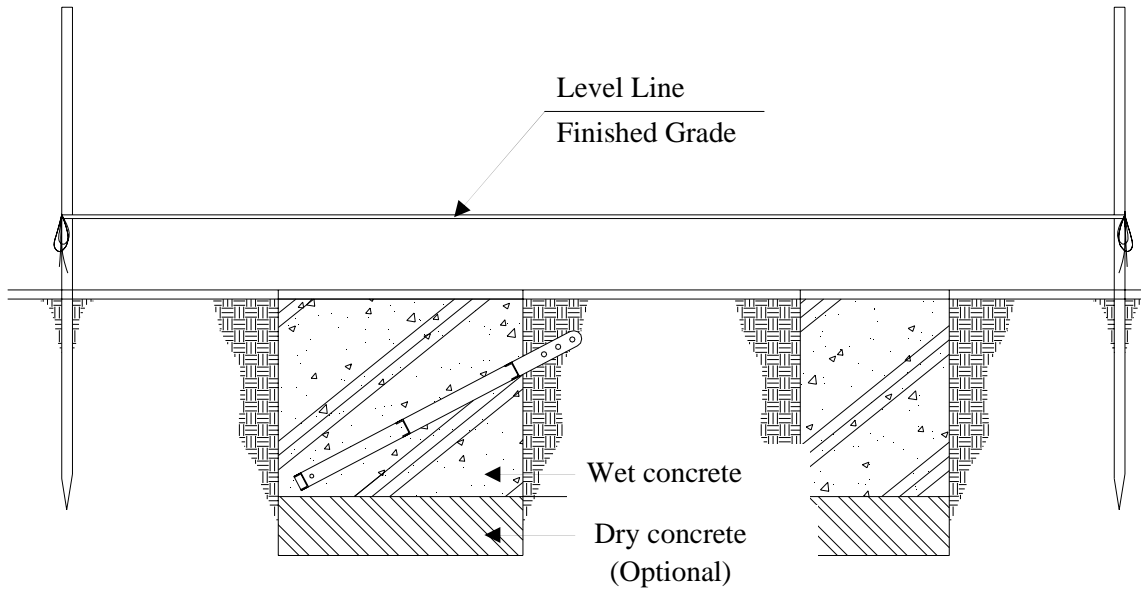


Figure-2: Safety area

Foundation

Please refer to GS-W1006 drawing for installation dimension

Figure-4: Foundation section view



P1 = Depth below Finished Grade (300mm)
P2 = Depth of concrete footings (1000mm & 800mm)

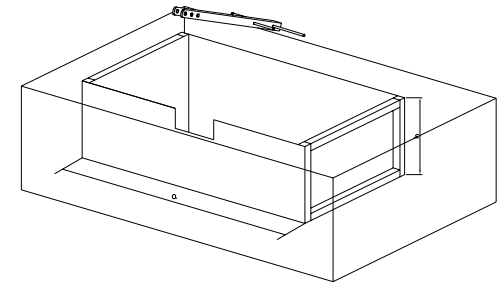
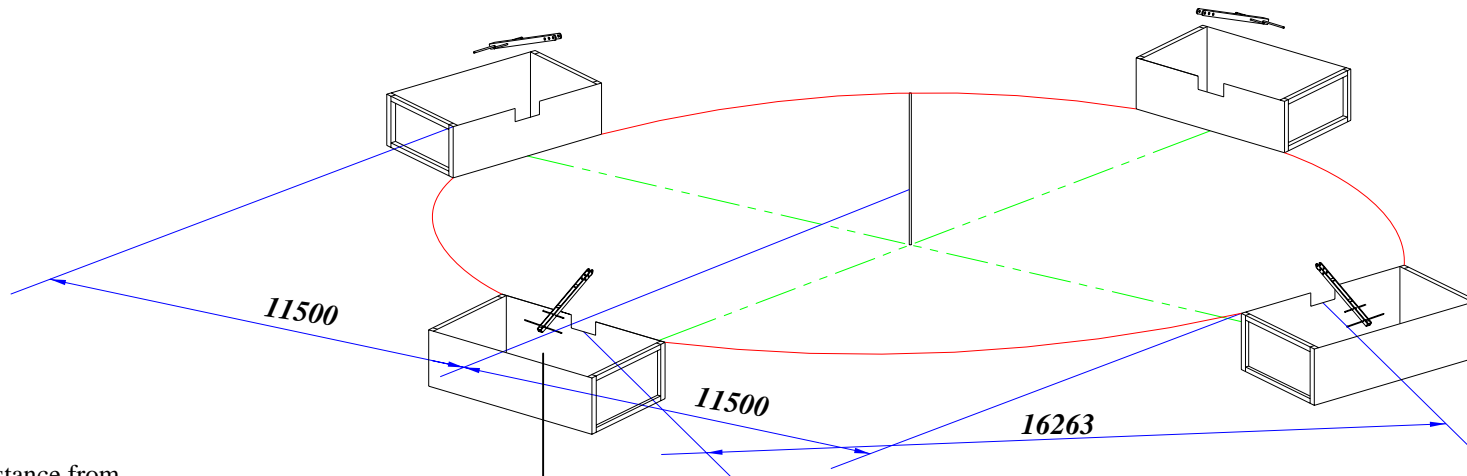


Figure-3 : Excavate enough materials to allow for proper depth of concrete footings

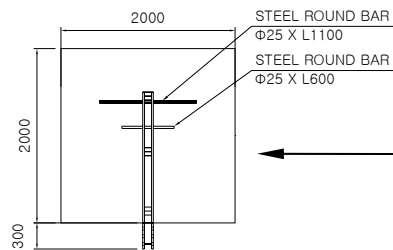
Also ensure that there is enough space to allow the frame to be positioned properly.

Anchor wood support frame to ground with pickets to prevent the frame from moving while concrete is poured and sets.

Figure -5: Footing and anchor plate layout



Note:
 Total distance from front of block to front of block is 23000mm



Position anchor plate on concrete footing

Anchor Plate position

Assemble wooden support frames *
 4 frames (2000mm L x 2000mm W x 1000mm H)
 1 frame (1500mm L x 1500mm W x 800mm H)

*Use 1/2" (min) plywood; not included in package

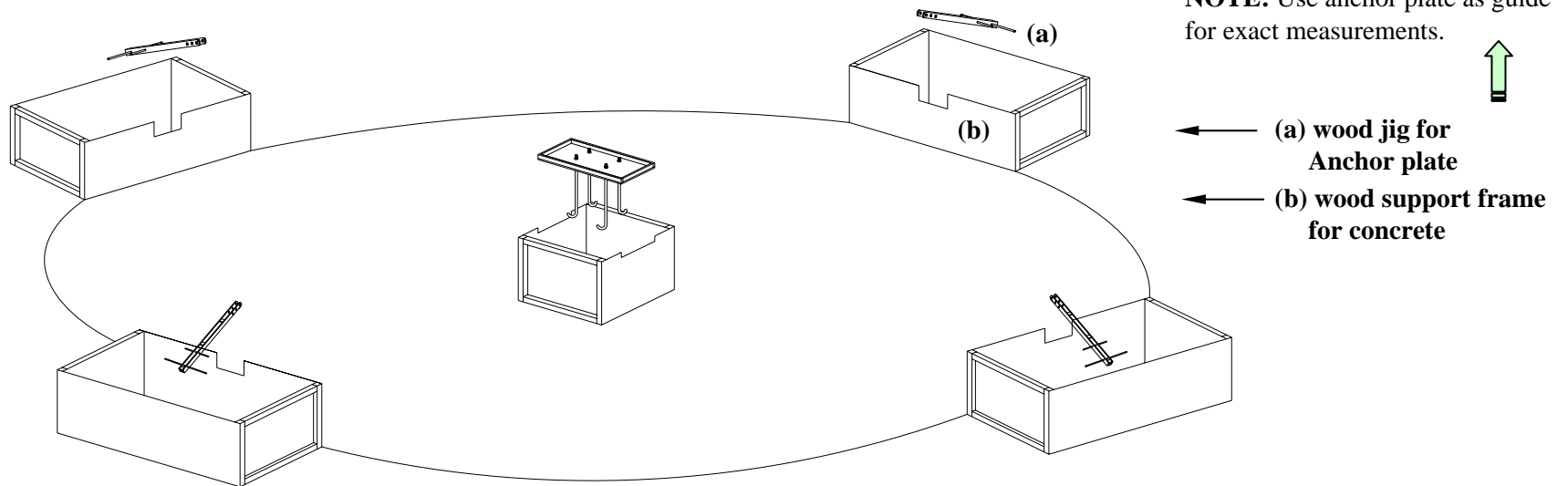
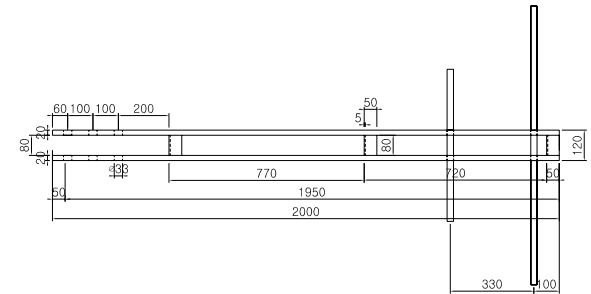


Figure-6: Wood support frame

[Concrete]

Pour concrete* into wooden support frame until flush to top edge
Allow 3-5 days for concrete to cure before proceeding to next step.

*Concrete to be we concrete with minimum 25 MPa / 3500 PSI.

[concrete footing work]
Pour wet concrete in the wooden support frame

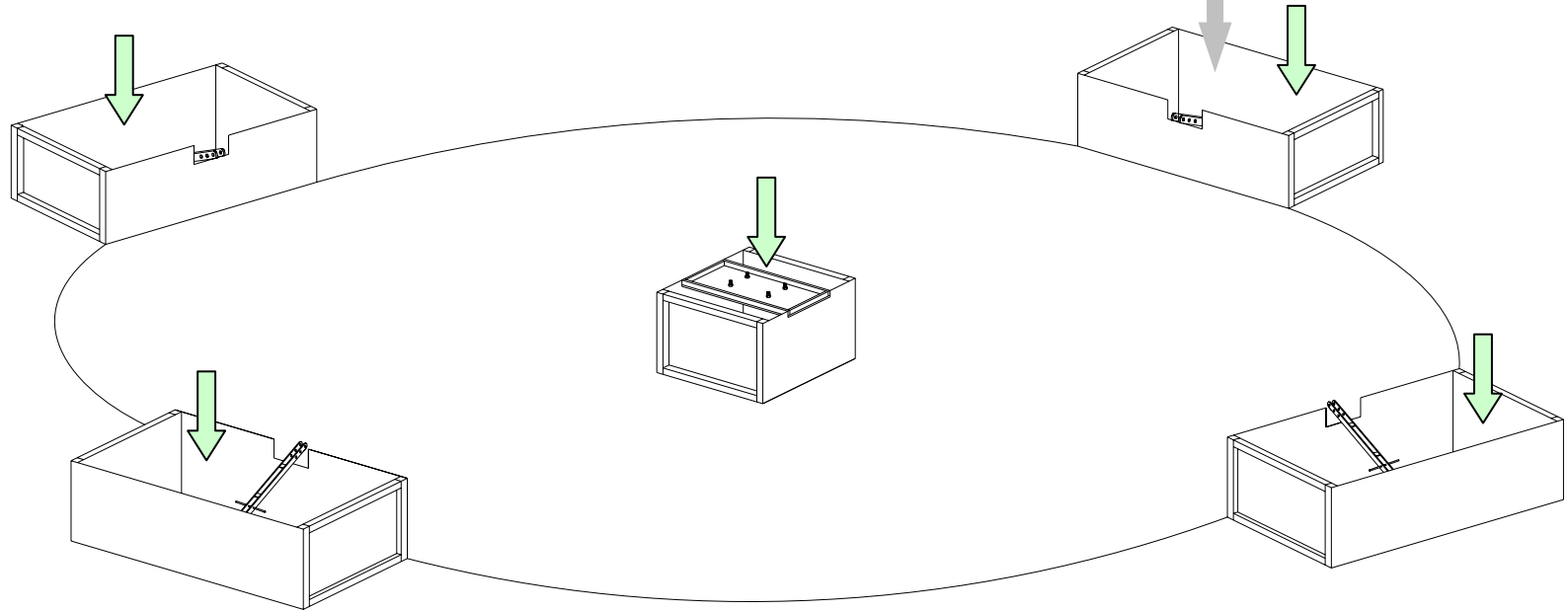


Figure-7: Concrete work

Remove wood support frame from dry concrete blocks

After concrete has cured enough, remove frames and replace soil around the footings to subgrade level

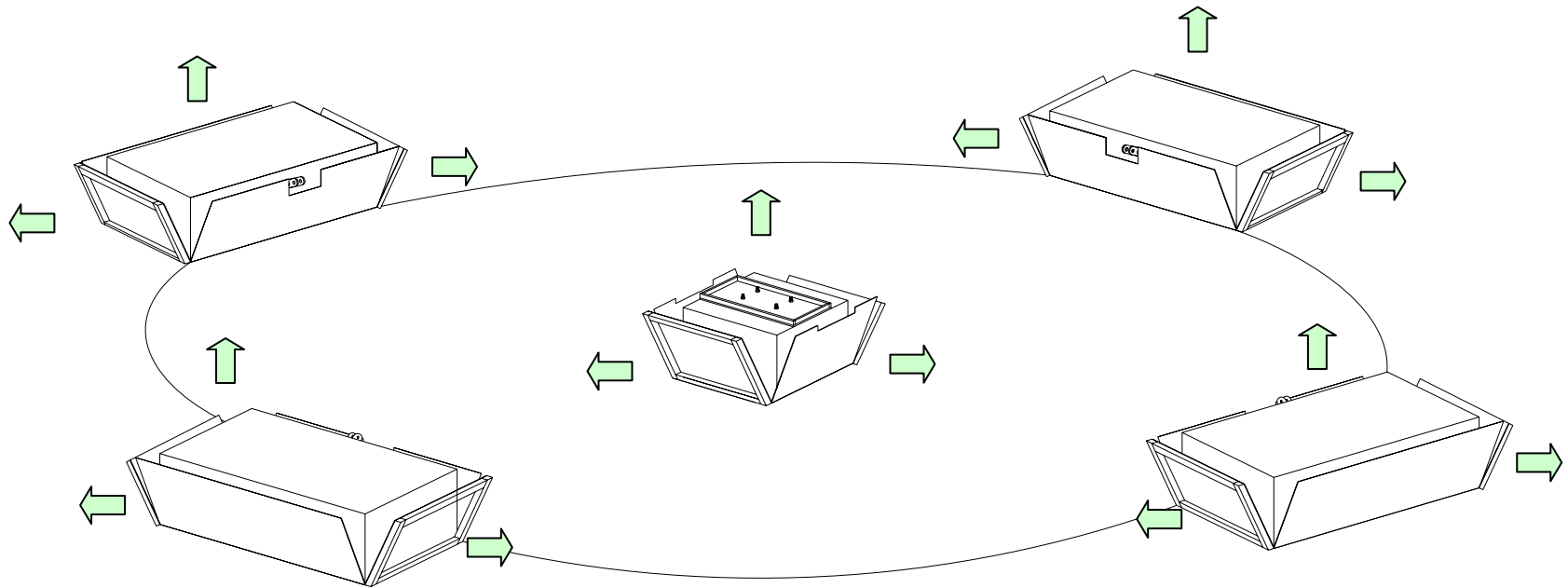
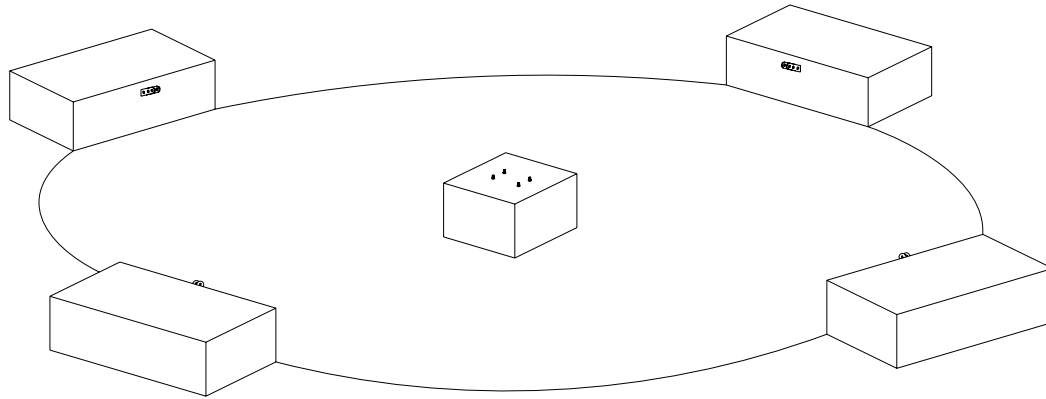


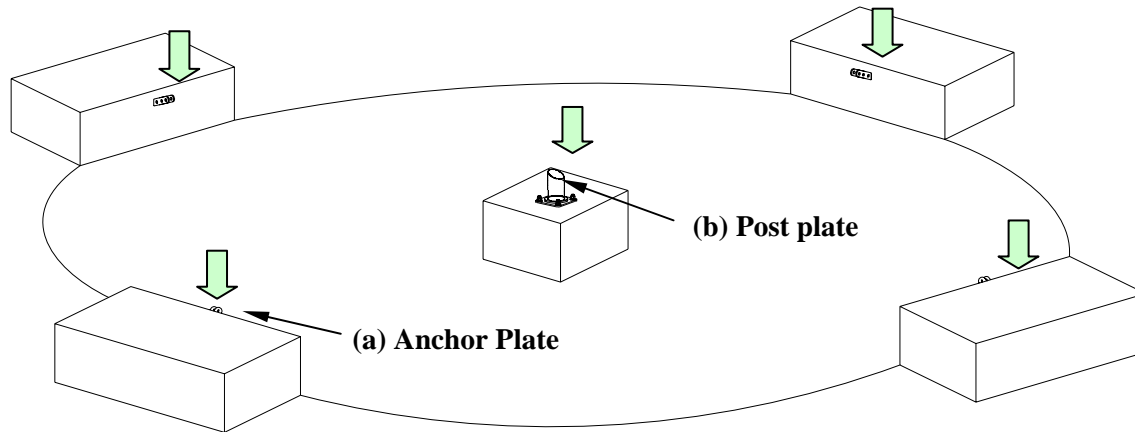
Figure-8: remove wood support frame



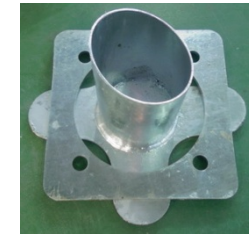
**Figure-9: Concreted blocks -
 Clean threads of "L"-Anchors**



(a) Anchor Plate



**Figure-10: Attach Anchor plate to footing
 with flat washer, locking washer and nut.**



(b) Post plate

Post Assembly

Insert Post following nylon string

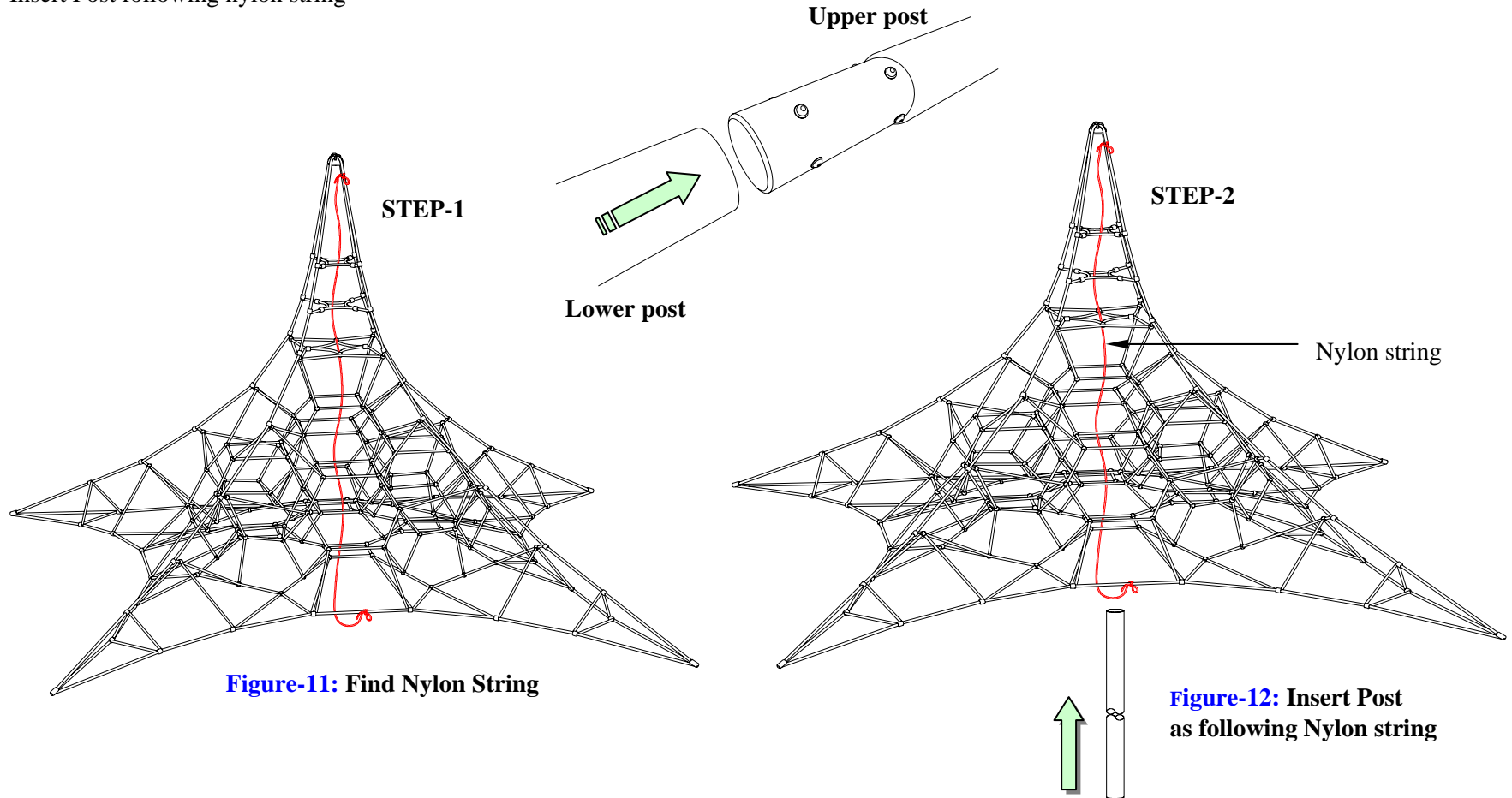


Figure-11: Find Nylon String

Figure-12: Insert Post as following Nylon string

NOTE: Remove string prior to placing cap on post.

Place Cap on Post

Thread the mast through the net's center (per diagrams below, or following factory-installed guide string). Press the cap (already attached to the top of the net) into the mast's top end.

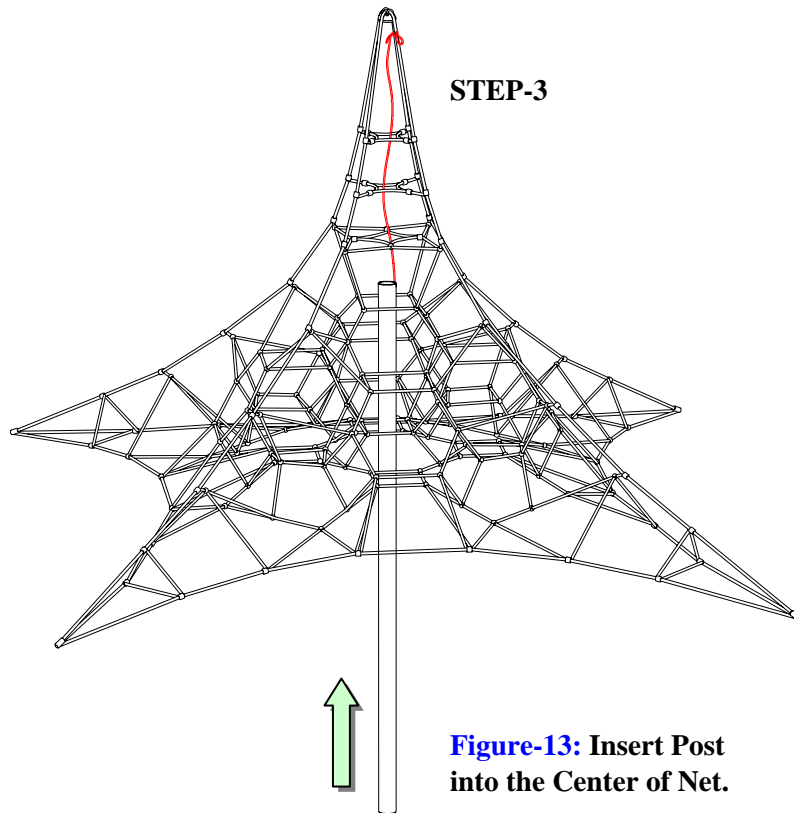


Figure-13: Insert Post into the Center of Net.

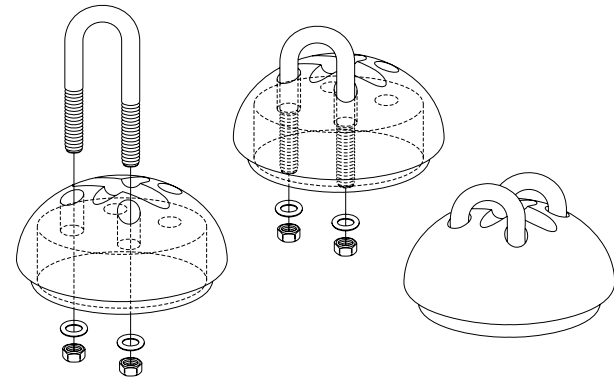
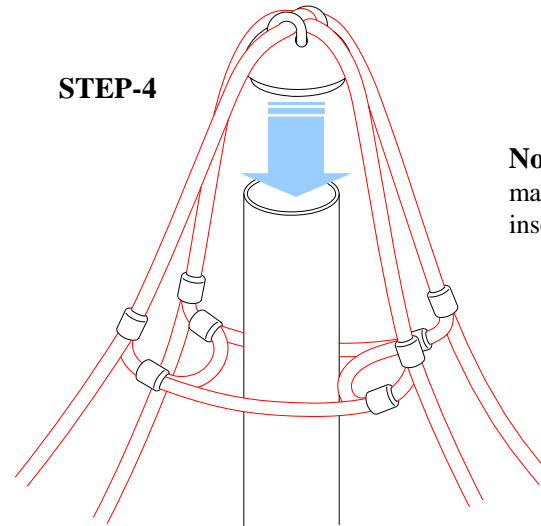


Figure-14: U-bolt assembly.



Note: Rubber mallet may be required to insert cap into post.

Figure-15: Post cap assembly.

Safety Cable Attaching

Attach safety cable to anchor plates (A) (B) (C) as shown in Figure 16.

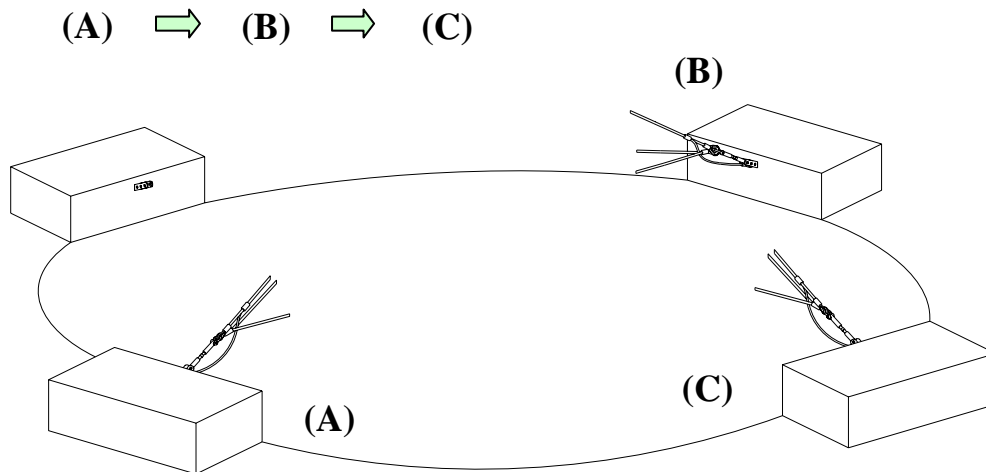
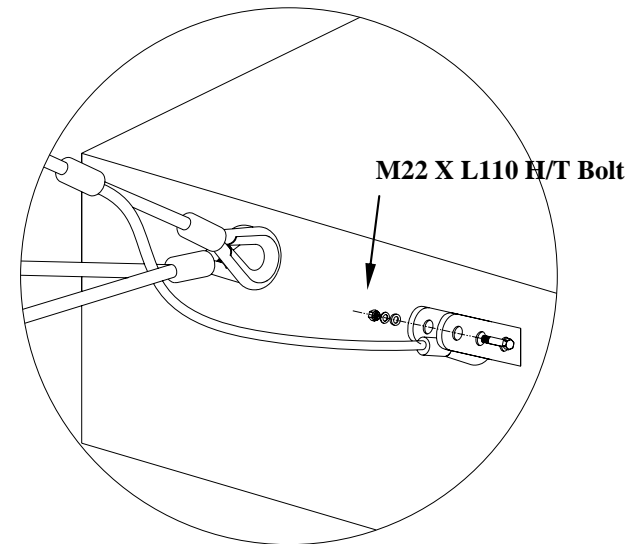


Figure-16: Attach cable to (A) (B) (C)

Figure-17: Safety cable Assembly

After successfully preparing the net and mast assembly, attach safety cable with **M22 X L110 H/T Bolt** to Anchor plate as shown below



It is strongly recommended that a machine be used to lift the net into place.

[Working Process]

(A) → (B) → (C) → (D) → (E)

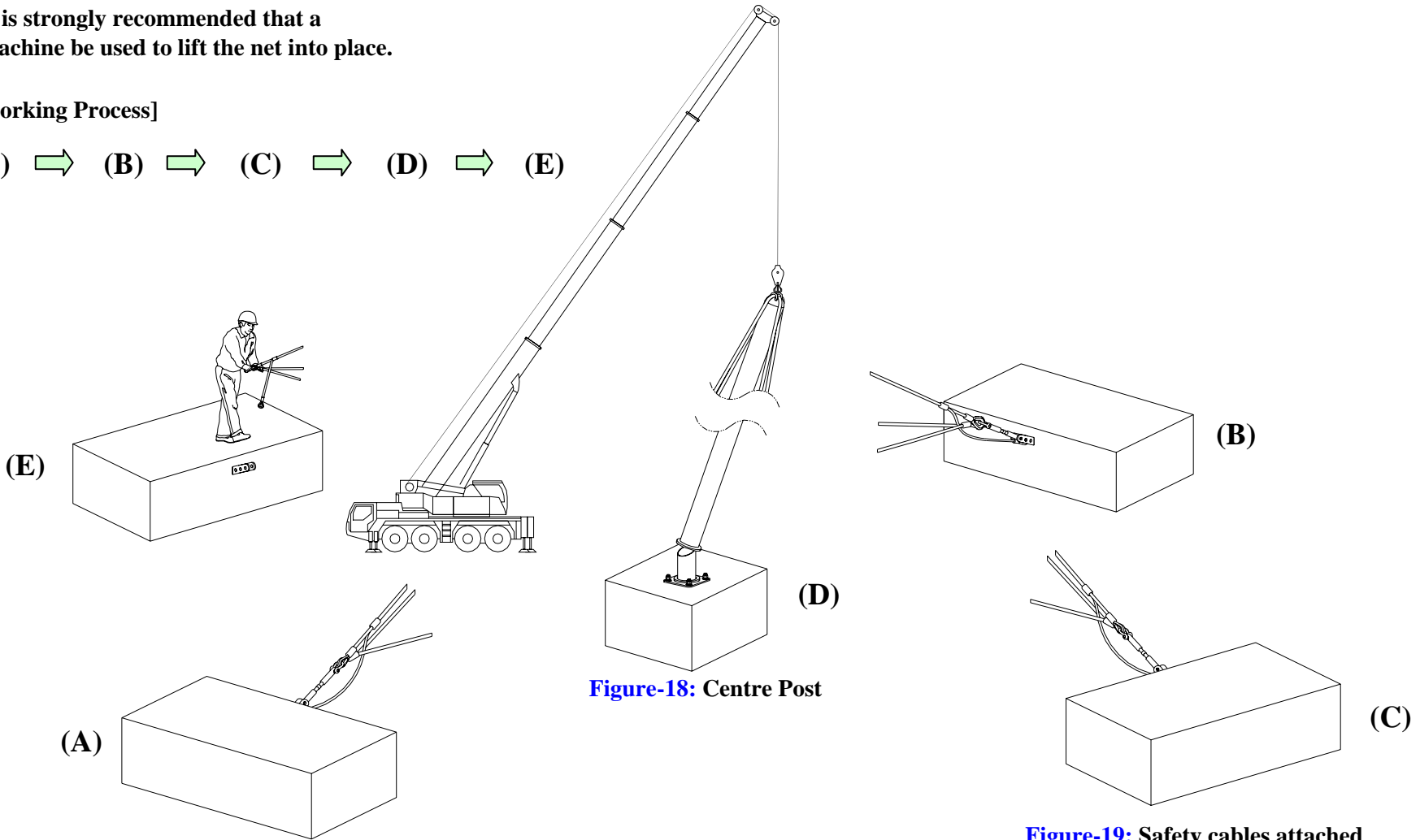


Figure-18: Centre Post

Figure-19: Safety cables attached

After standing up the Net, Attach remaining safety cable and Turnbuckles

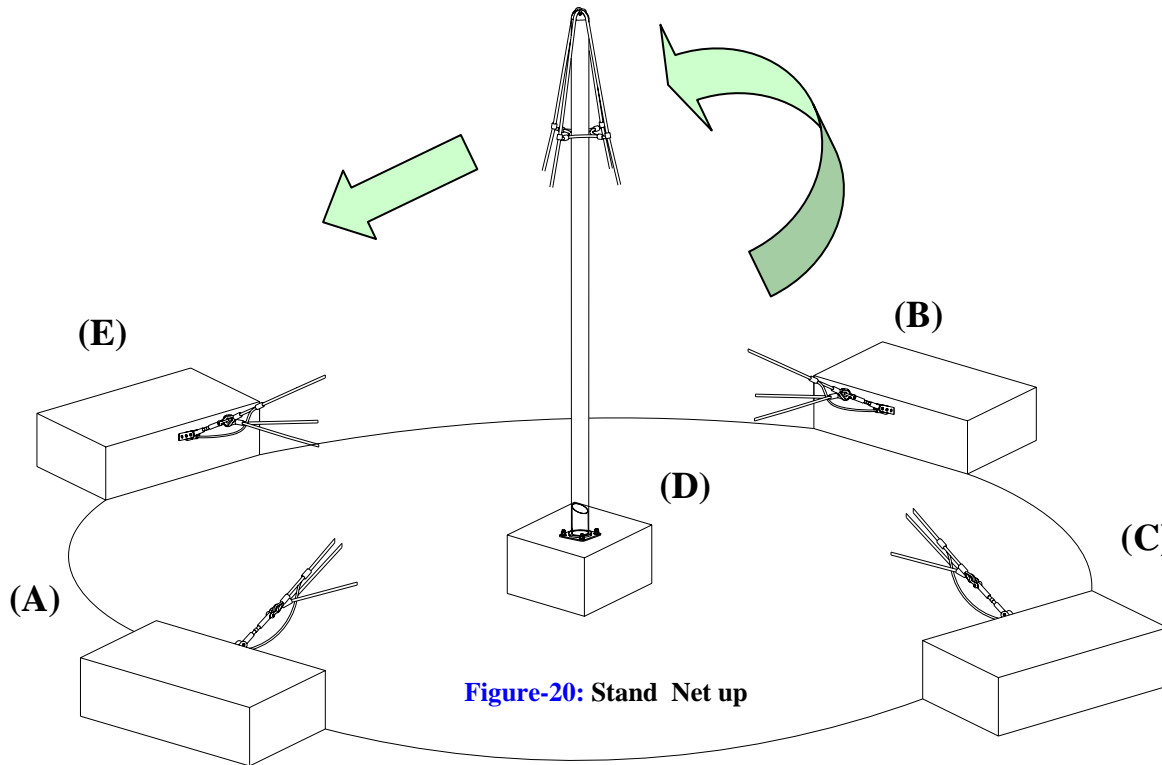
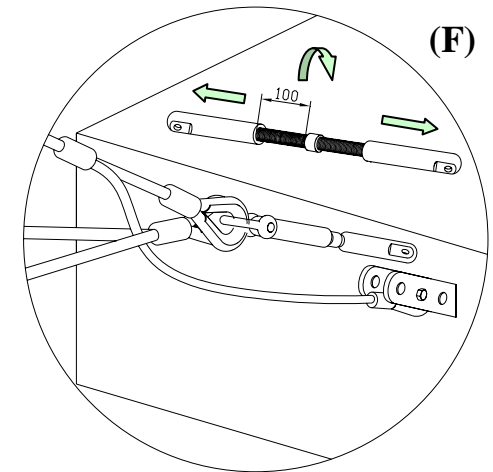


Figure-20: Stand Net up

(A) → (B) → (C) → (D) → (E) → (F)

Figure-21: Loosen Turnbuckle:
all the way (about 100mm),
leaving only 4 or 5 threads attached



Anchor plate + Turnbuckle

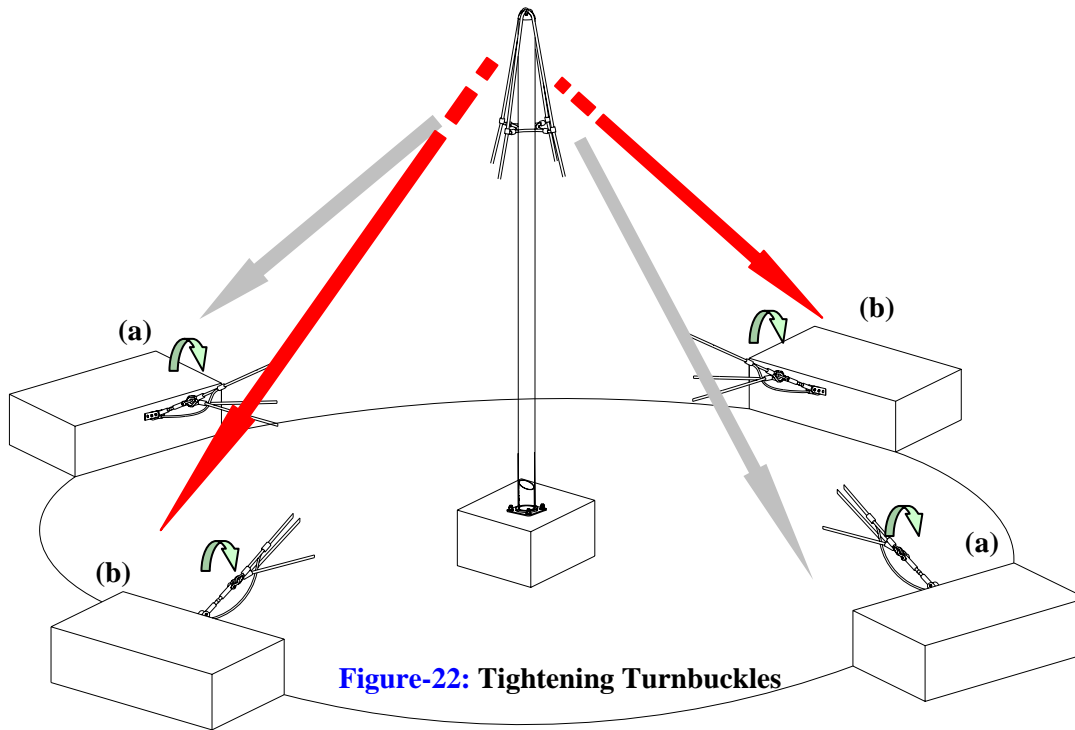
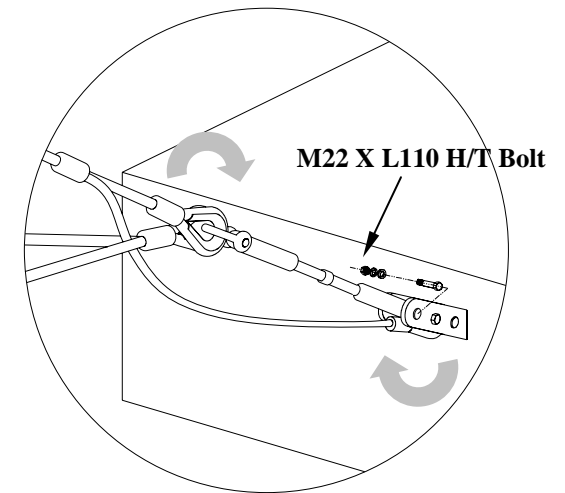


Figure-22: Tightening Turnbuckles

NOTE: Make sure post is level before tightening and remains level during process.

- (a) + (a) **Tighten Cable with Turnbuckle at the Same time**
- (b) + (b) **Tighten Cable with Turnbuckle at the Same time**

Figure-23: Turnbuckle assembly



Maintenance information

Please tighten rope with Turnbuckle properly.
If you tighten the net too much, it may cause damage.
It is also recommended that subsequent checks on tension should be carried out at monthly intervals and adjusted as required.
This will increase the overall longevity of the product.

Checking: 1 month

Refer to IPEMA and TUV maintenance system.

After Net structure tension is completed, the net will stretch slightly over the first four weeks of use.
Following this initial period, the net needs to be fully re-tensioned by Turnbuckle after 1 year.

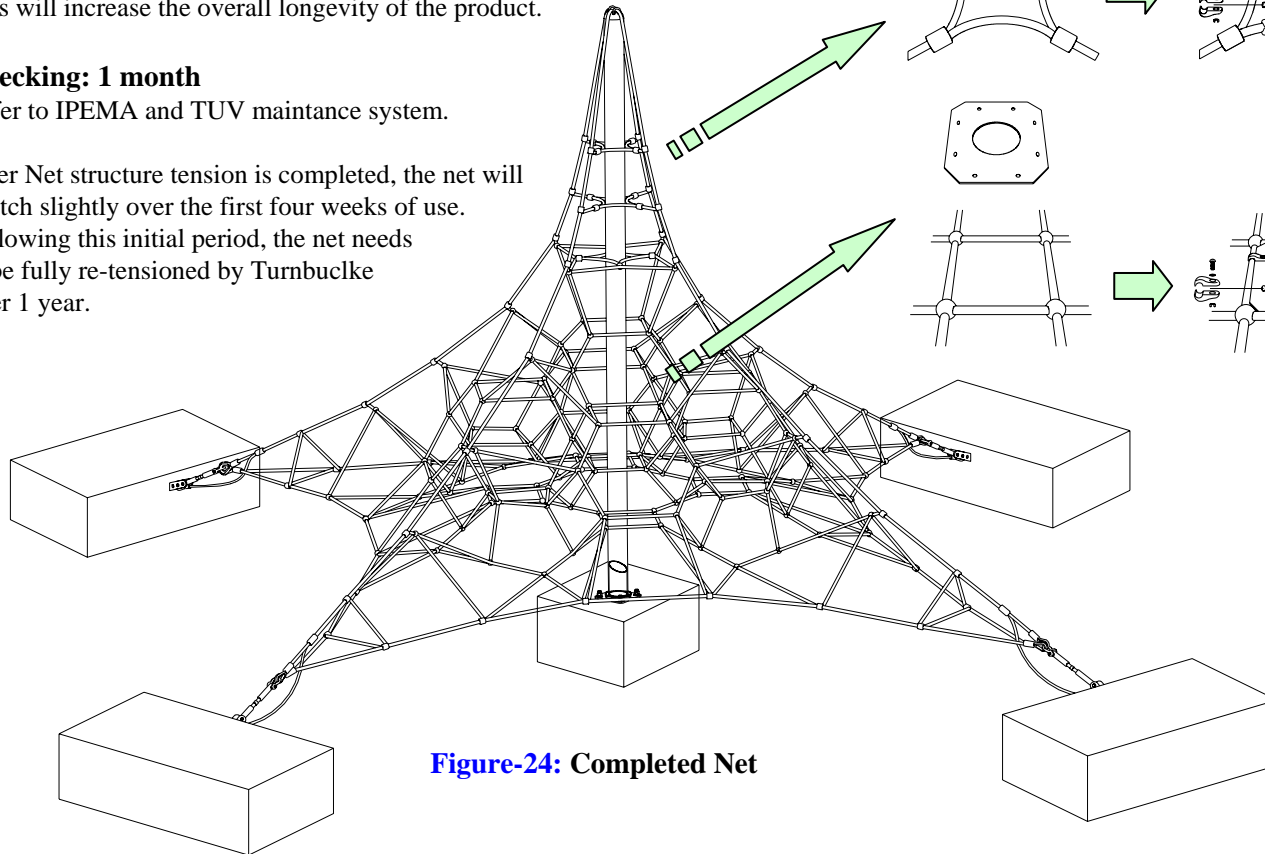
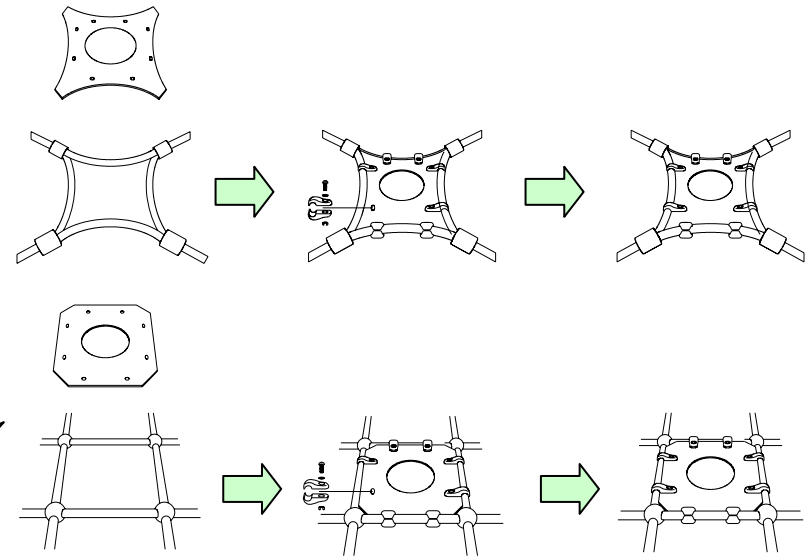
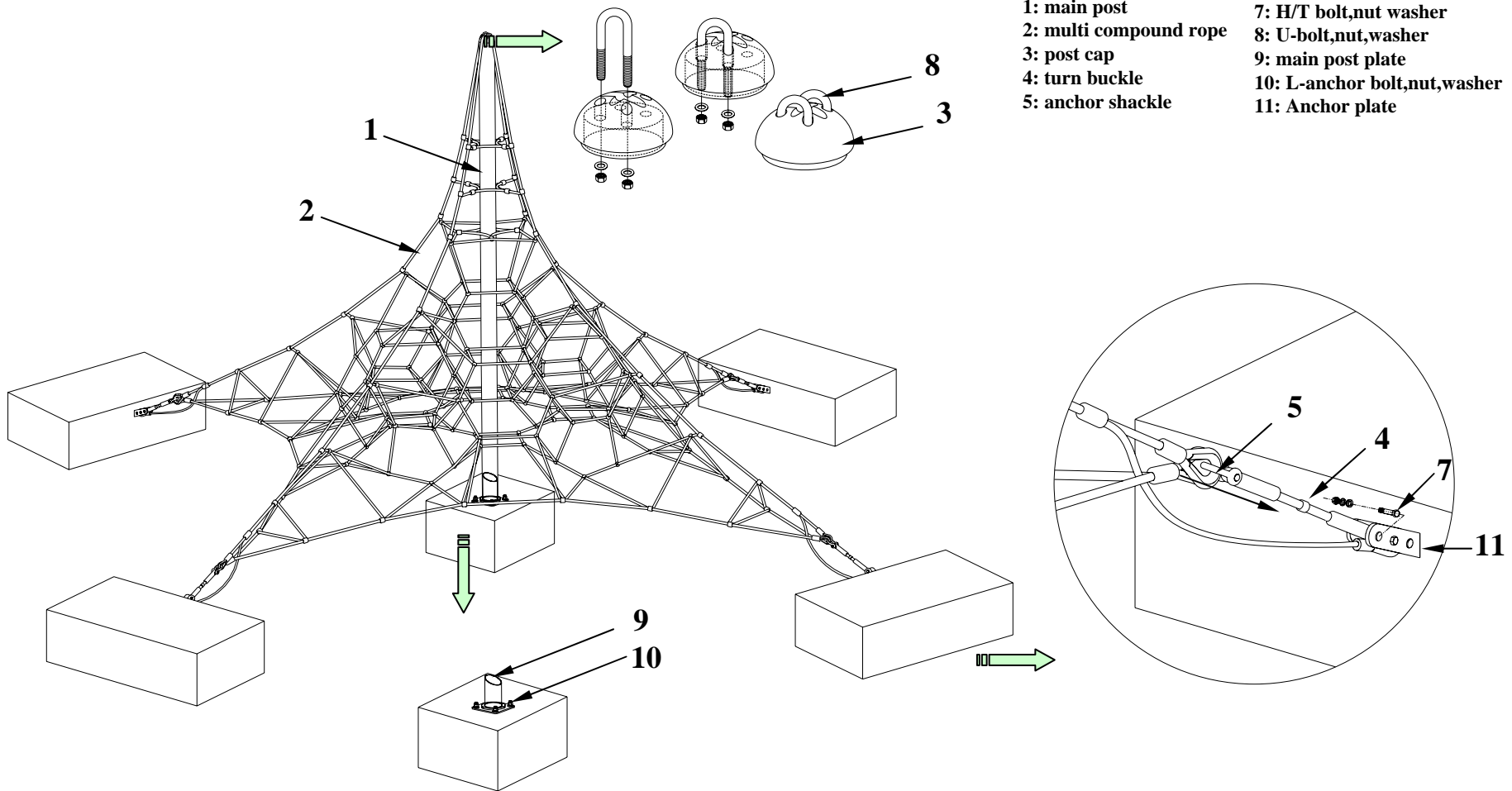


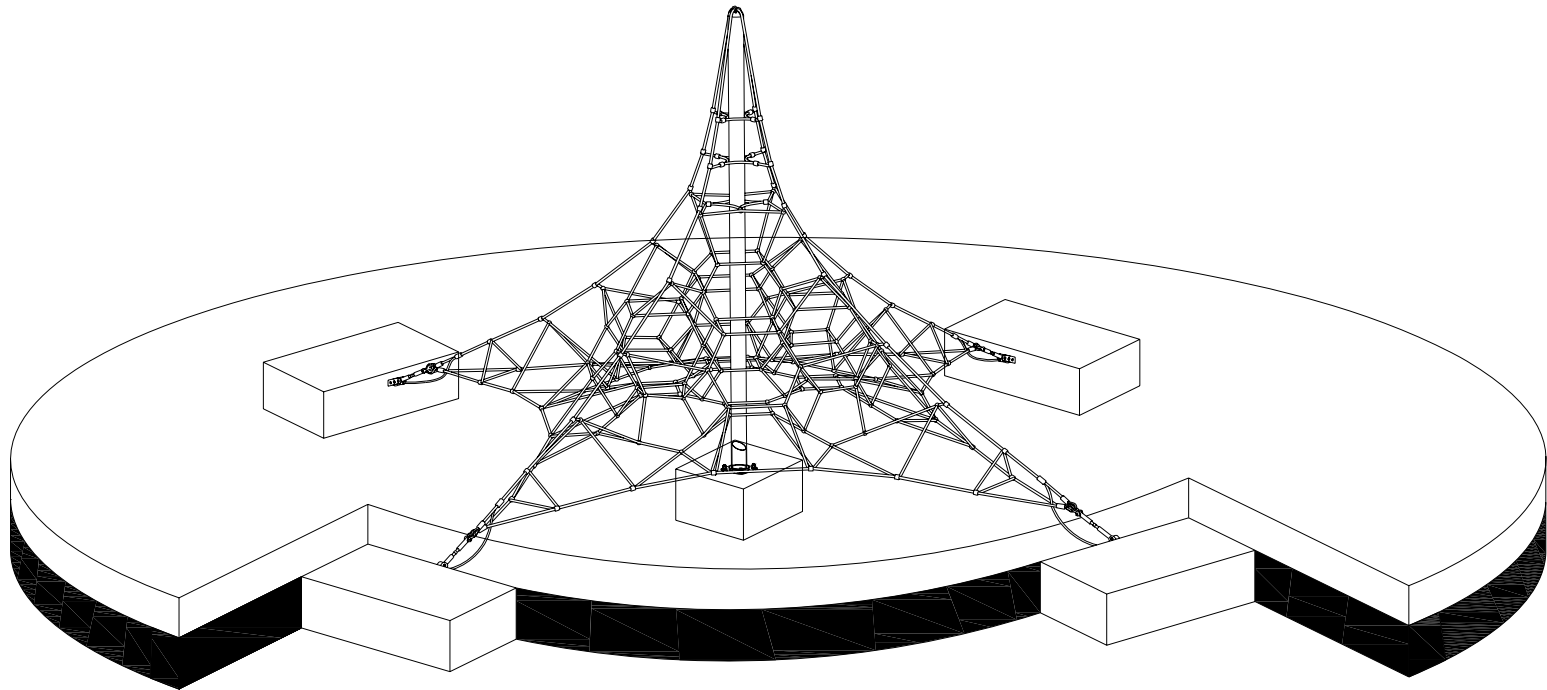
Figure-24: Completed Net

SINGLE MAST NET CLIMBER PARTS LIST

**MODEL NO.
GS-W1006**



A weekly check of the activity net is recommended to ensure that no acts of vandalism have damaged the rope. Periodic checks on tension will assist in the durability of the product.



A. General safety measures

On the playground there should be a sign(pictogram) giving the following information:

- a) general emergency telephone number;
- b) telephone number to contact maintenance personnel;
- c) name of the playground;
- d) address of playground; and
- e) other relevant local information, if applicable.

The entry, exit and emergency paths to and from a playground, intended for use by the public and emergency services, should be accessible and free of obstacles at all times.

NOTE Attention is drawn to local regulations.

B. Procedures

Defects that occur during operation and which put safety at risk should be corrected without delay. If this is not possible, the equipment should be secured against use e.g. by immobilization or removal.

There should be written operational procedures covering the measures to be taken in the event of accidents, fire and the like.

Until unsafe equipment is repaired and released for use, access by the public should be prevented. Information about accidents brought to the attention of the manager should be recorded on a form that includes the following details:

- a) date and time of accident;
- b) age and sex of victim and clothing worn, Including footwear;
- c) equipment involved;
- d) number of children on site at the time of the accident;
- e) description of accident;
- f) injury sustained including part(s) of body affected;
- g) action taken;
- h) witness statements;
- i) any subsequent equipment modification;
- j) weather conditions; and
- k) any other relevant information.

C. Routine maintenance

To reduce accidents, the owner or operator should ensure that an appropriate routine maintenance schedule is established, implemented and maintained. This should take into account local conditions and the manufacturer's instructions that can affect the necessary inspection frequency. The schedule should list the components to be maintained and should also give procedures for dealing with complaints and breakdowns. The routine maintenance of playground equipment and surfaces should consist of preventative measures to maintain their level of safety, performance and compliance with the relevant part(s) of EN 1176. Such measures should include:

- a) tightening of fastenings;
- b) re-painting and re-treatment of surfaces;
- c) maintenance of any impact attenuating surfaces;
- d) lubrication of bearings;
- e) marking of equipment to signify loose fill finished surface level;
- f) cleaning;
- g) removal of broken glass and other debris or contaminants;
- h) restoring loose fills to the correct level; and
- i) maintenance of free space areas.

D. Corrective maintenance

Corrective maintenance should include measures to correct defects, or to re-establish the necessary levels of safety of the playground equipment and surfaces. Such measures should include:

- a) replacement of fastenings;
- b) welding of welding repairs;
- c) replacement of worn or defective parts; and
- d) replacement of defective structural components.

E. Personal safety

Repairs during operation that could put the safety of maintenance personnel of the public at risk, should be avoided.

F. Equipment alterations

Alterations to parts of a piece of equipment or structure that could affect the essential safety of the equipment should only be carried out after consultation with the manufacturer or a competent person.