

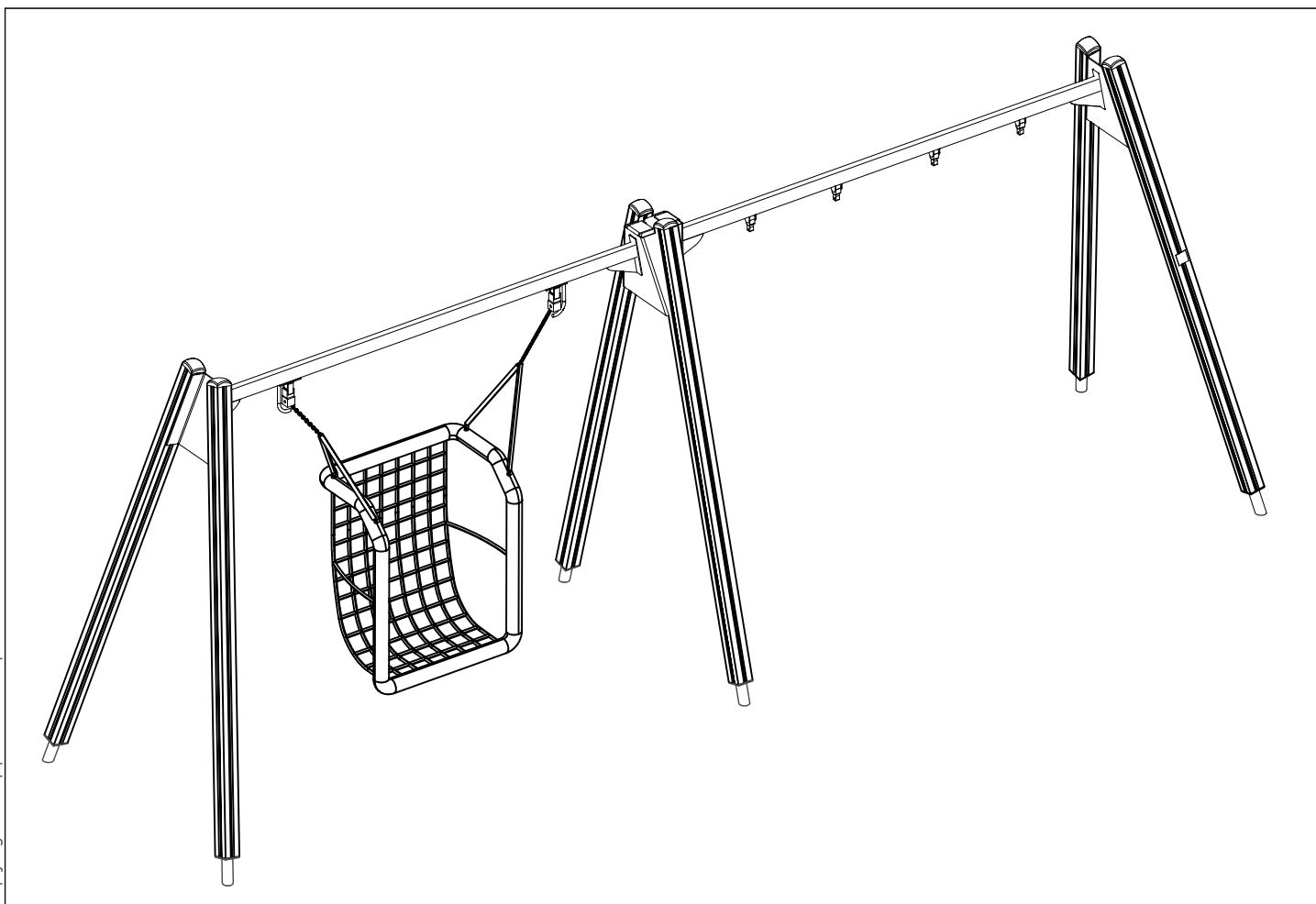
LAPPSET®

FINNO

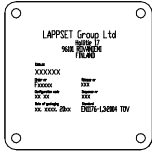

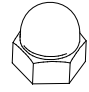



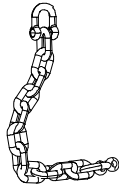
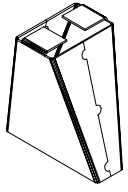
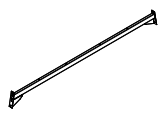
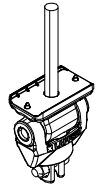
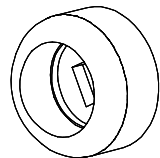
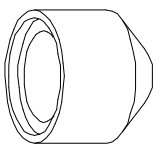
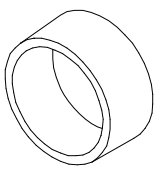
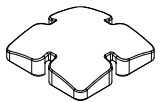
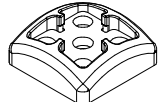
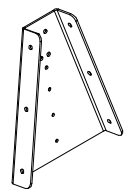

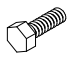
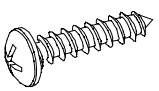
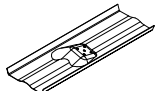
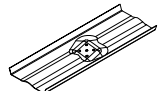

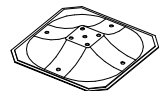
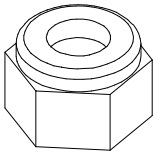
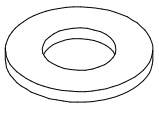
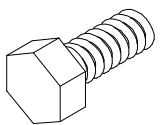
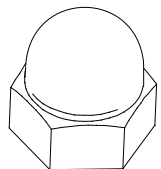
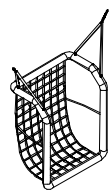

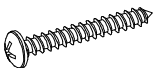
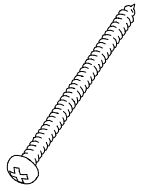
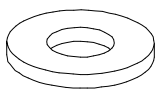

ASENNUSOHJE
MONTERINGSANSVISNING
INSTALLATION INSTRUCTION
AUFBAUANLEITUNG
NOTICE D'INSTALLATION

DATE: 21.7.2023

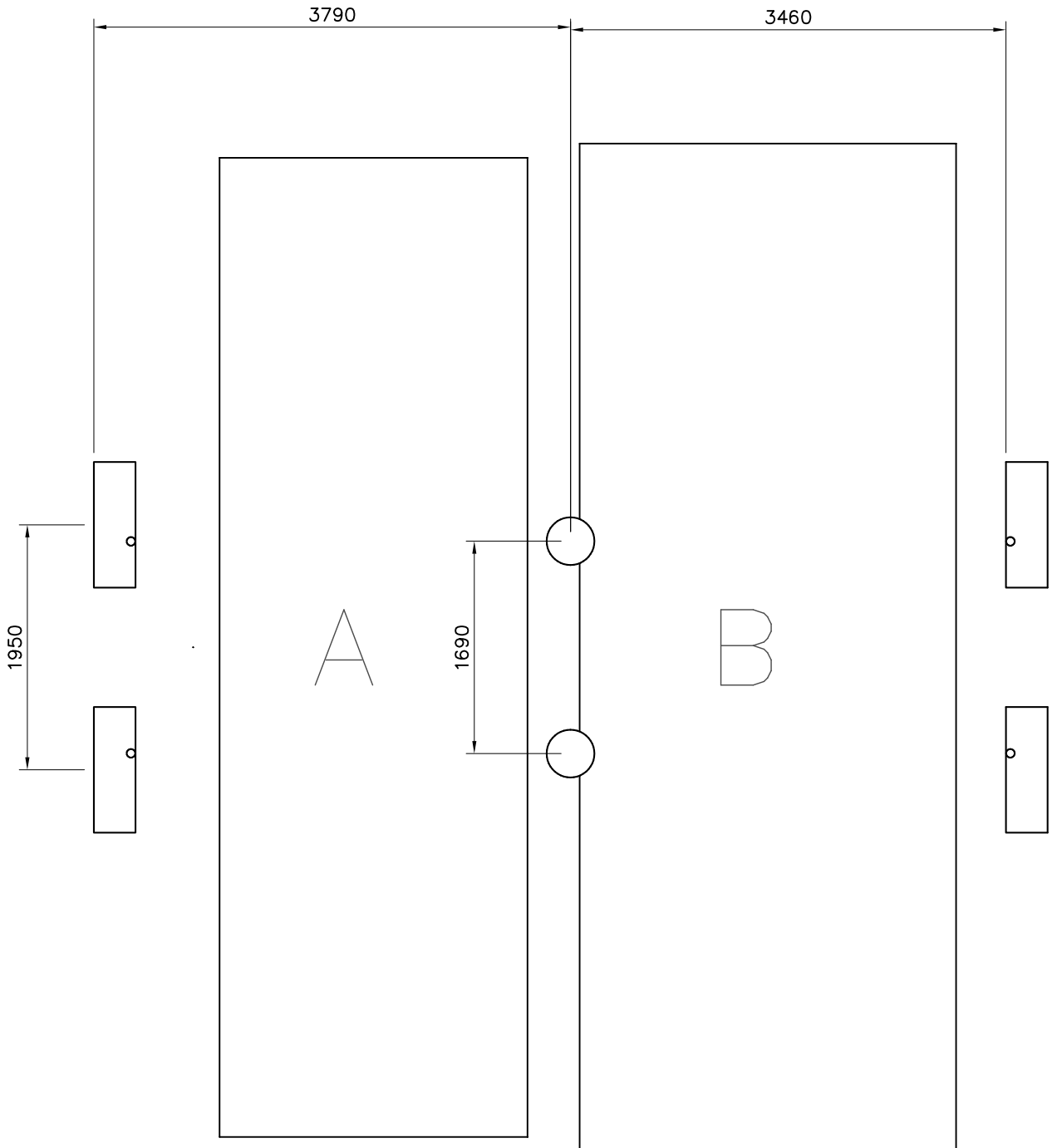
Q15711-2

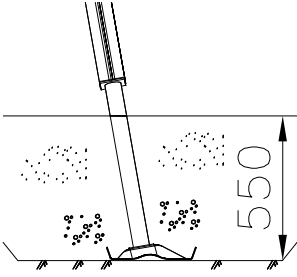
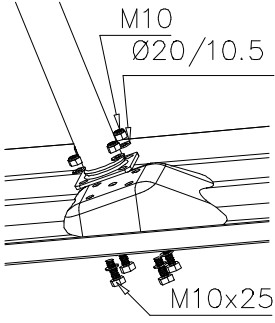
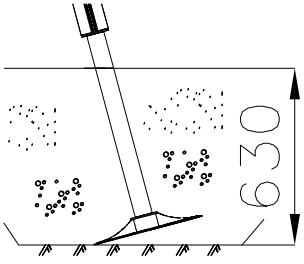
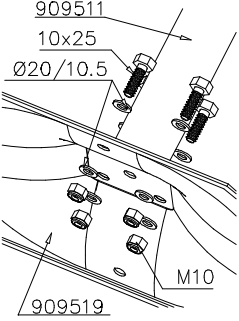


DATE: 21.7.2023

702286  65x65	PCS 1	706564-602  L2650	PCS 6	900965  M10	PCS 8	901958  L2940	PCS 2	901959  L2940	PCS 1	902234  M12	PCS 4
903149  M12x30	PCS 8	903577  L2650	PCS 2	904317  M10	PCS 1	904333  L2940	PCS 1	904904  L2940	PCS 4	905090  Ø45	PCS 18
905104  M10	PCS 24	905115  Ø30	PCS 18	905138  M10	PCS 6	905196  M10	PCS 6	905991  L2940	PCS 2	906499  M12x110	PCS 4
909347  M12x35	PCS 18	909506  Ø3.5x13	PCS 4	909507  L 1000	PCS 2	909508  L 1000	PCS 2	909511  L650	PCS 2	909519  50x380x380	PCS 2
909637  M10	PCS 24	909638  Ø20/10.5	PCS 64	909639  M10x25	PCS 32	909644  M12	PCS 8	910674  L650	PCS 1	911155  L650	PCS 4
980114  Ø4x20	PCS 4	980131  Ø6x60	PCS 24	980154  Ø24/13	PCS 42	999561  10g	PCS 1		PCS		PCS
	PCS		PCS		PCS		PCS		PCS		PCS

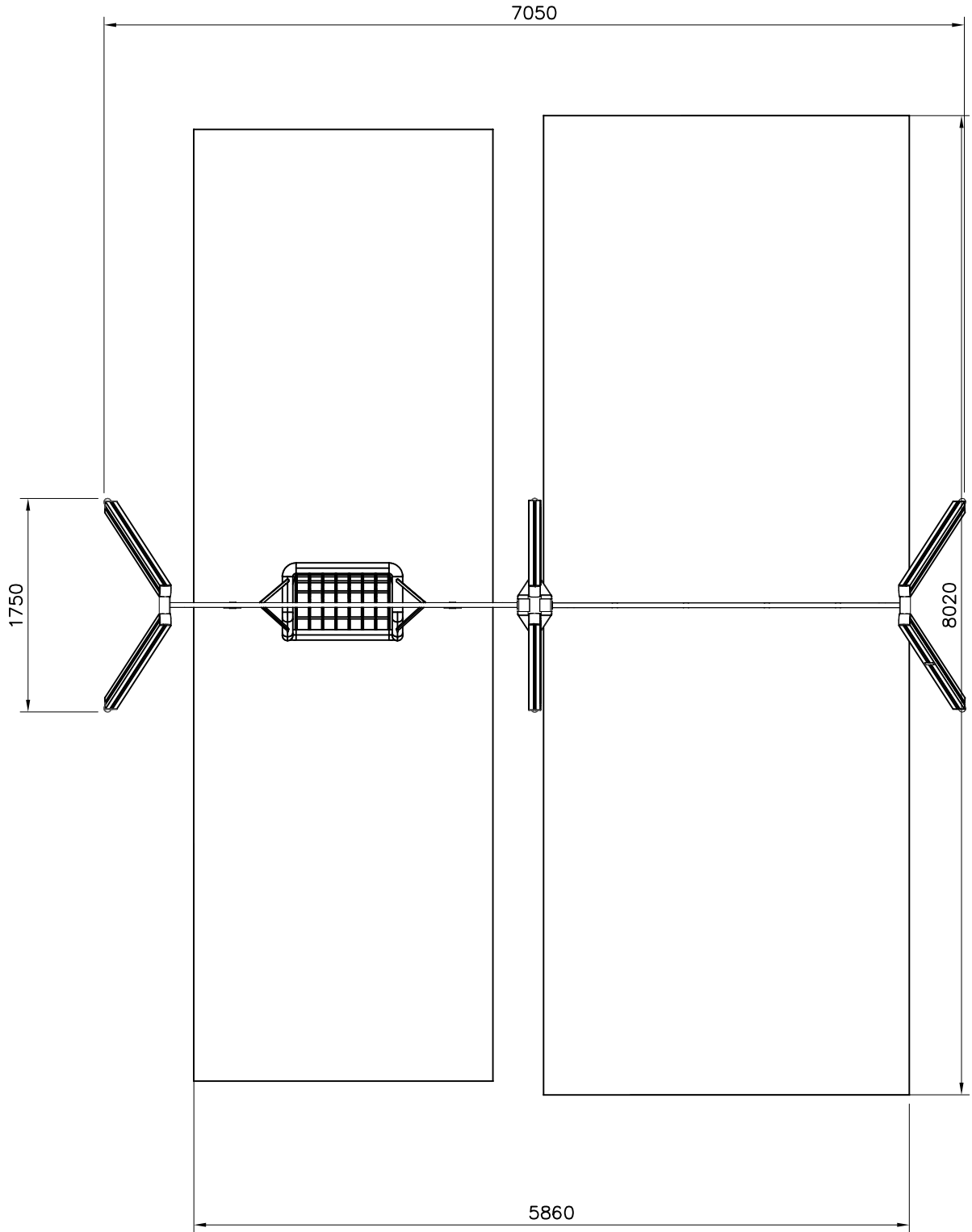
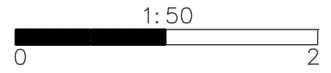
—— EN/AS Impact Area 43.1 m²
---- Falling Space 43.1 m²

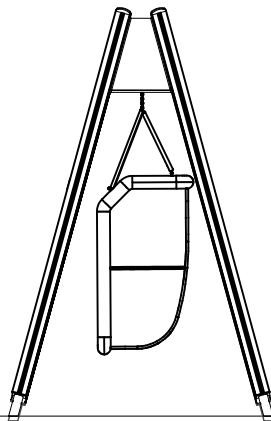
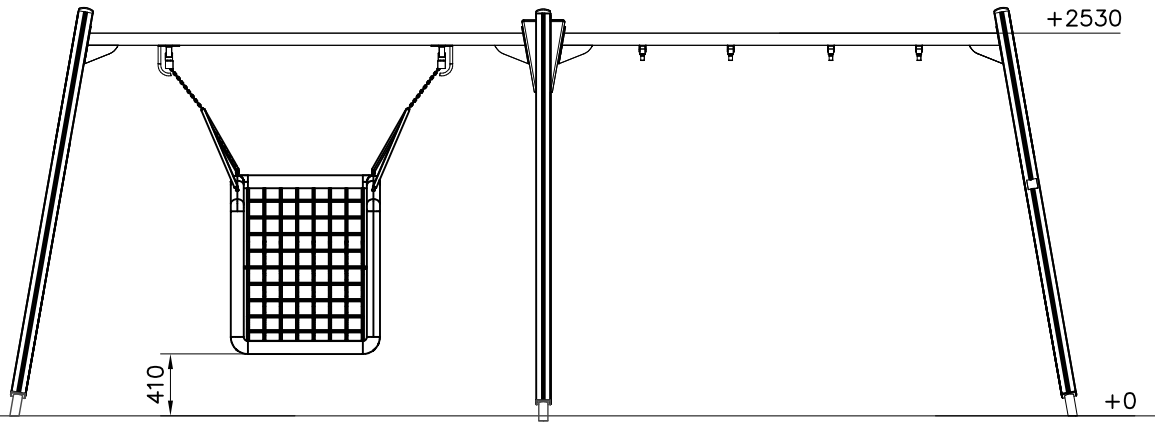


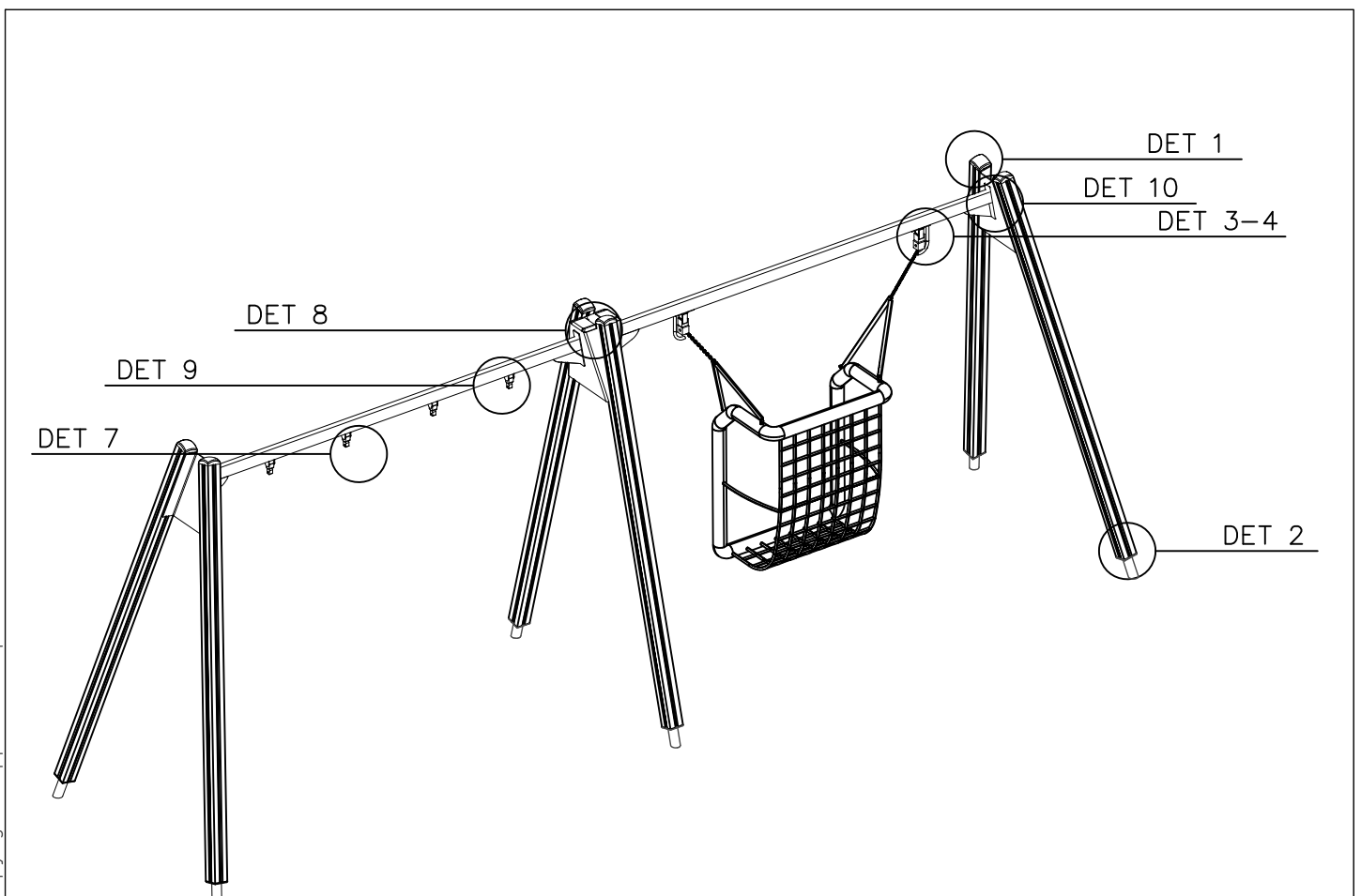
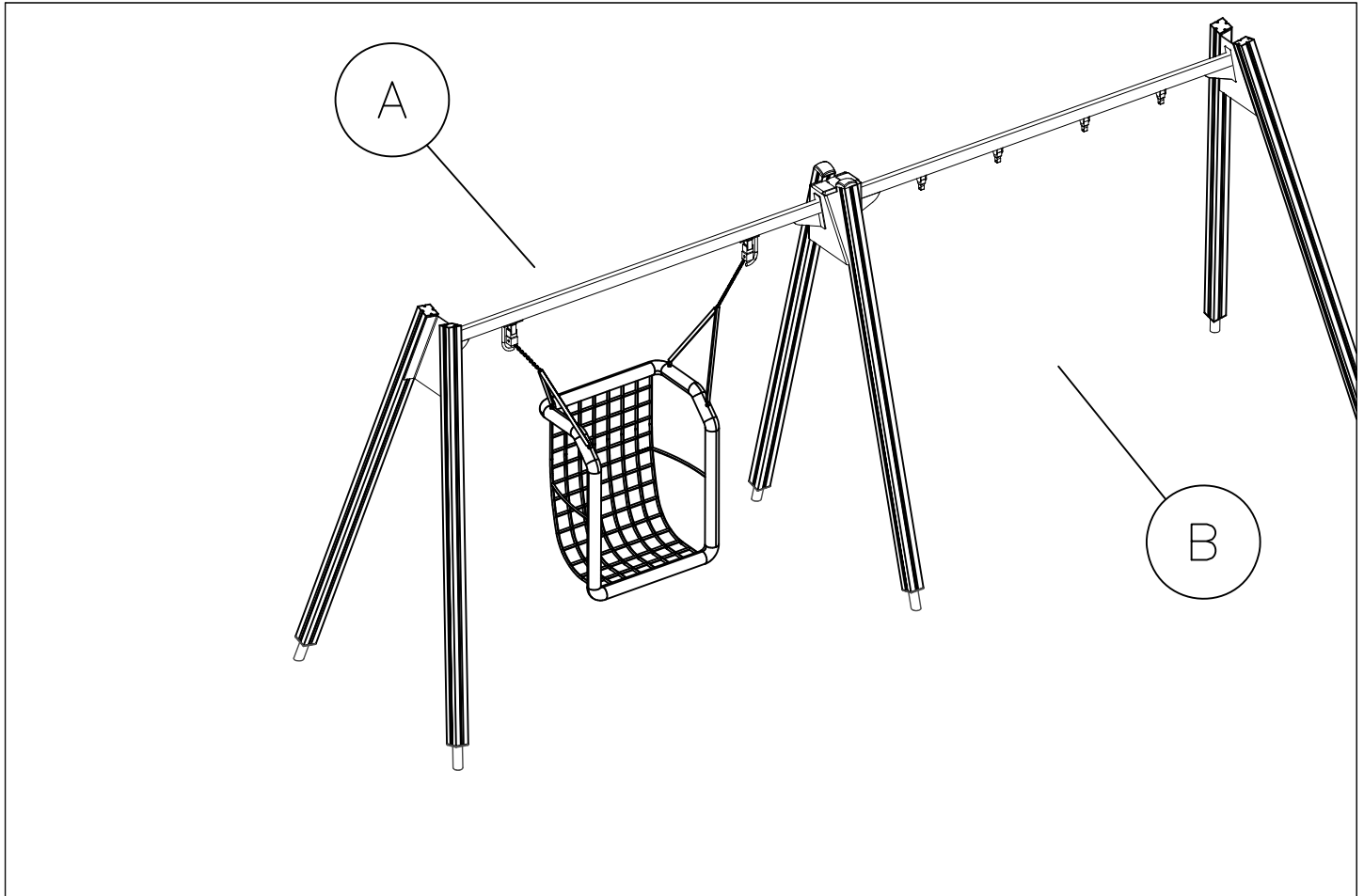
		
		

—— EN/AS Impact Area 43.1 m²

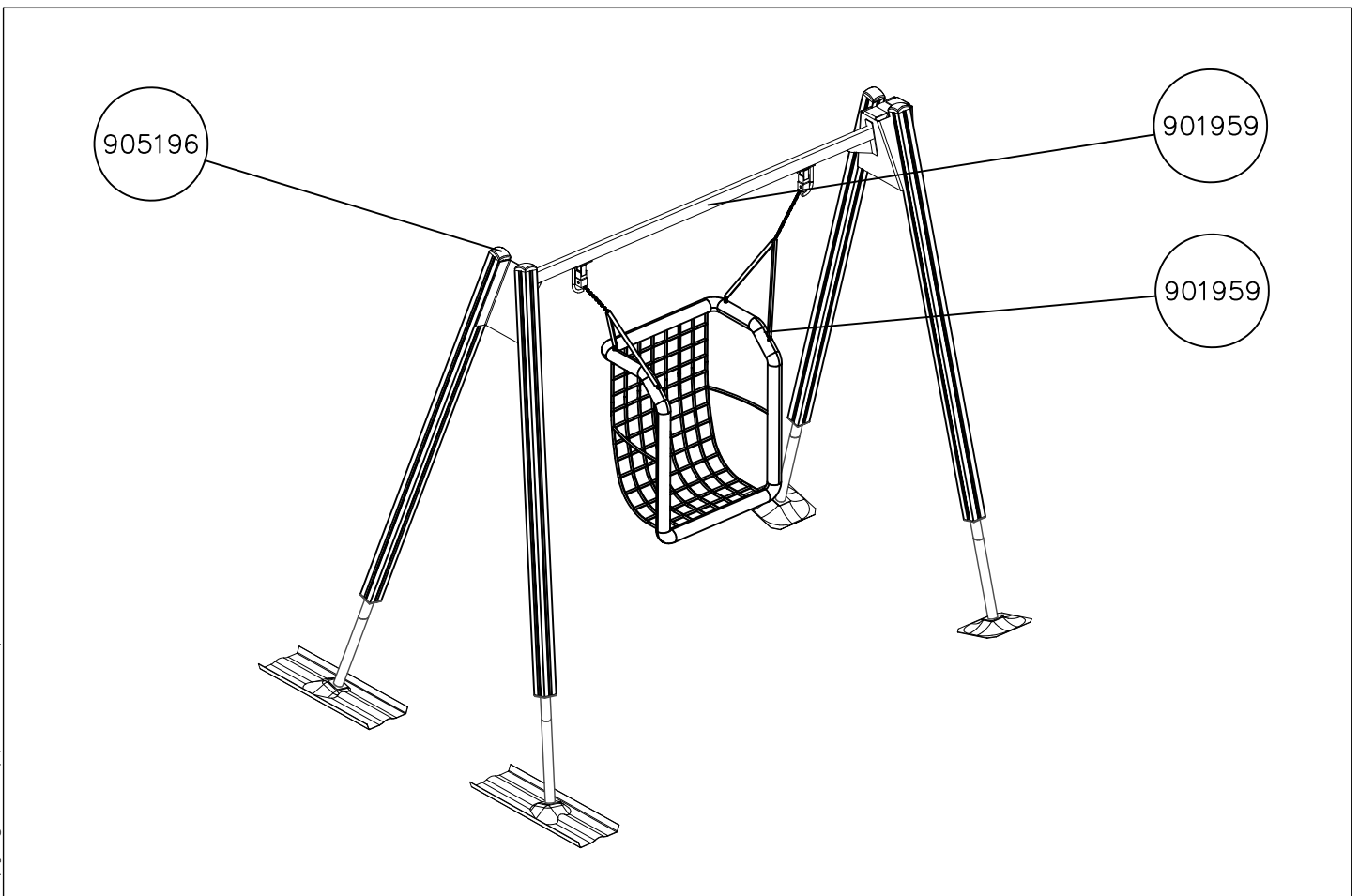
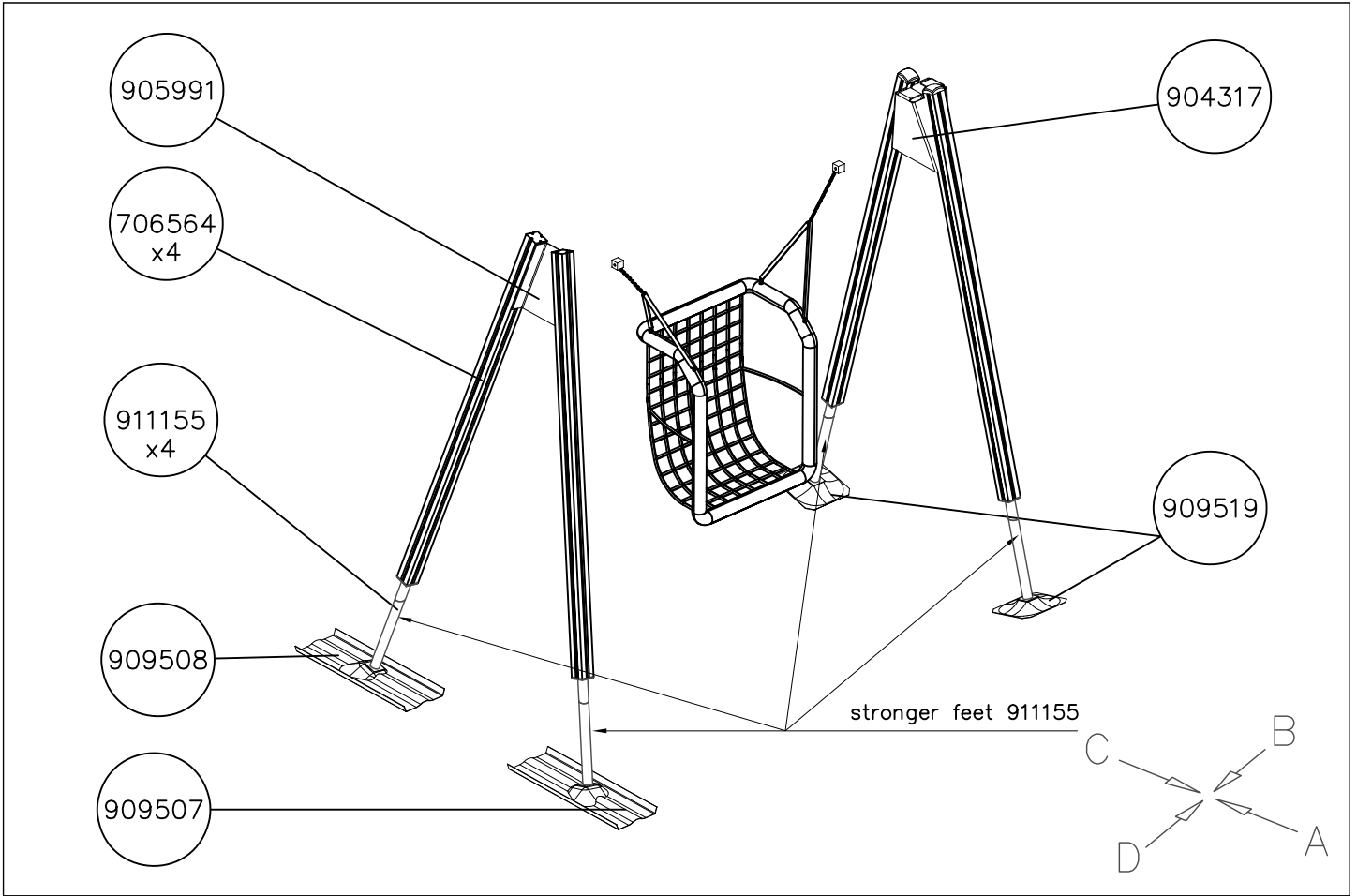
---- Falling Space 43.1 m²
Max Falling Height 1400 mm







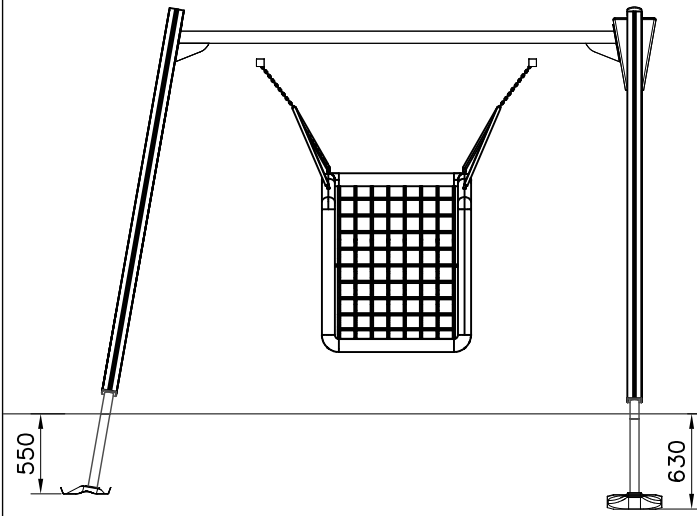
<p>DET 1</p> <p>6x60 980131</p>	<p>DET 2</p> <p>M10 905104</p>	<p>DET 3</p> <p>901958 903577</p>	<p>DET 4</p> <p>M12x110 Ø24/13 901958 M8x35 M12 M8 CUT EXTRA CHAIN</p>
<p>DET 5</p> <p>>400</p>	<p>DET 6</p> <p>911155</p>	<p>DET 7</p> <p>M12 → 80 Nm Ø24/13 M12x30 M12 M10x25 Ø20/10.5 M10 M10 → 45 Nm</p>	<p>DET 8</p> <p>904317</p>
<p>DET 9</p> <p>90Nm M12 980154 Ø24/13 904904</p>	<p>DET 10</p> <p>999561 GLUE Ø24/13 12x35 905115 905090</p>		



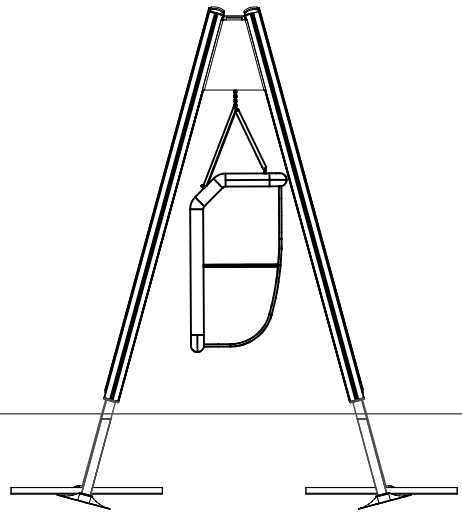
DATE: 21.7.2023

1:50

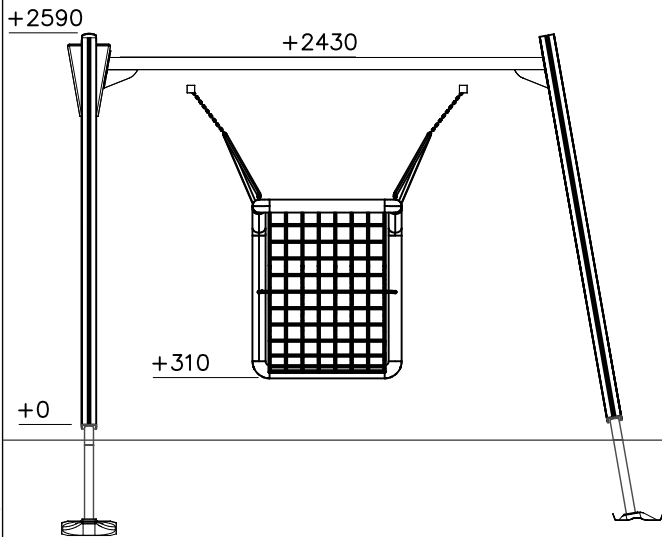
A



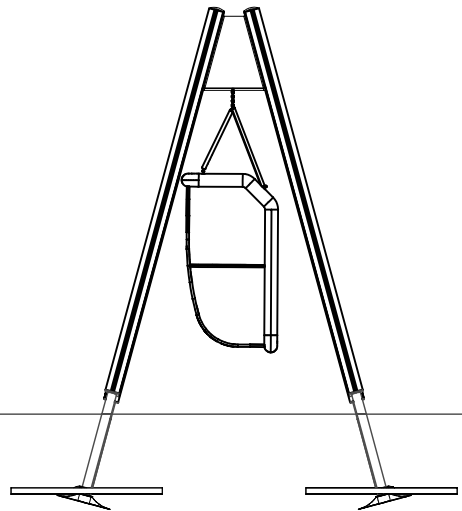
B

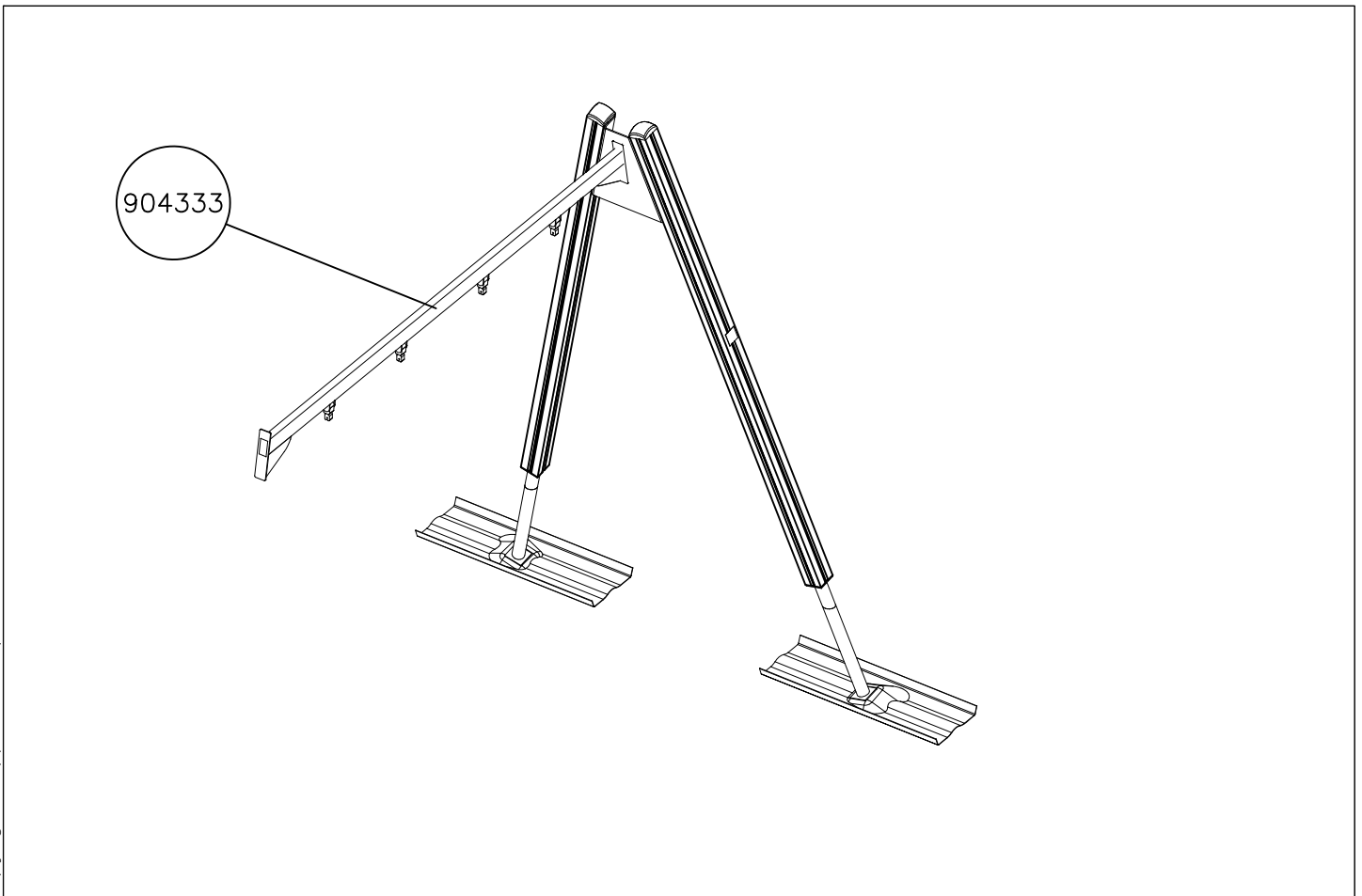
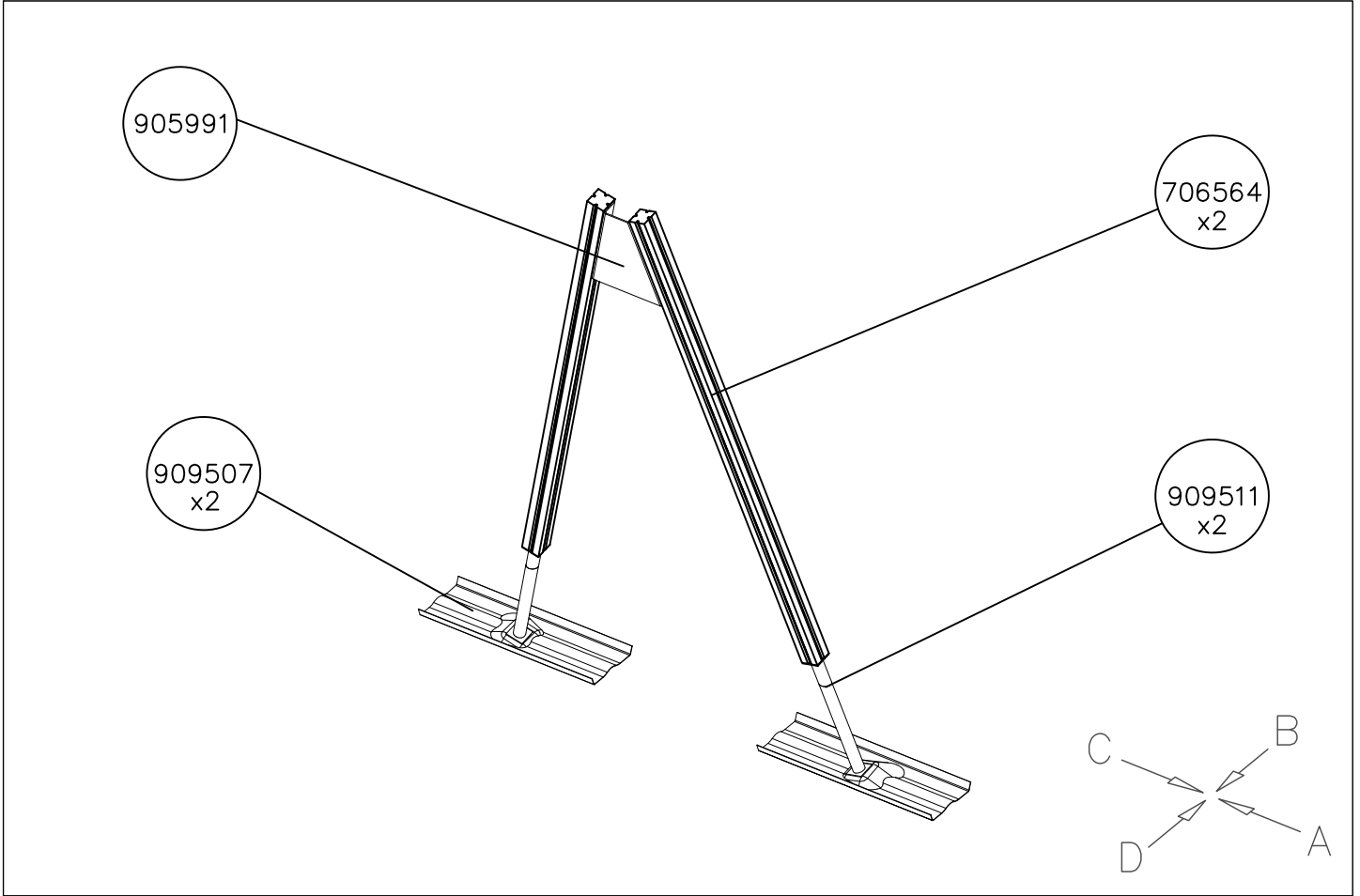


C



D





DATE: 21.7.2023

