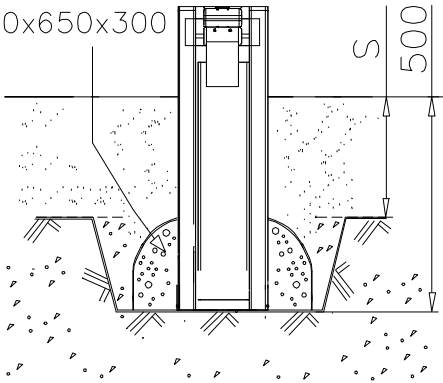
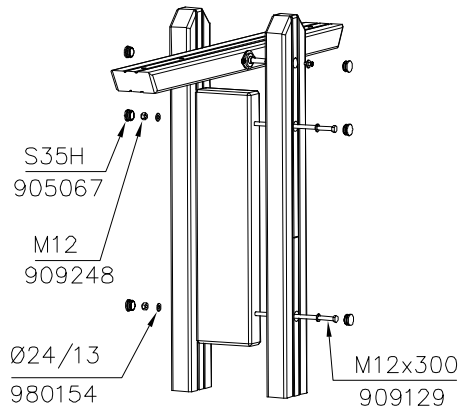


DET 1

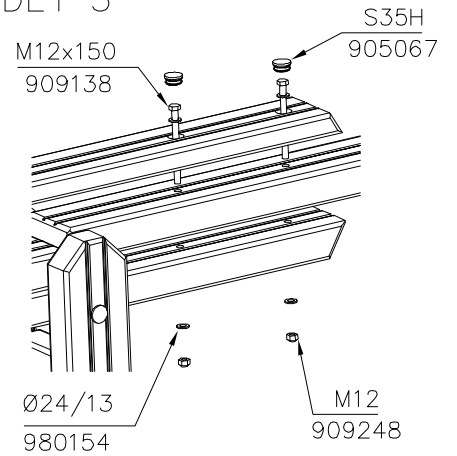
Concrete
 550x650x300



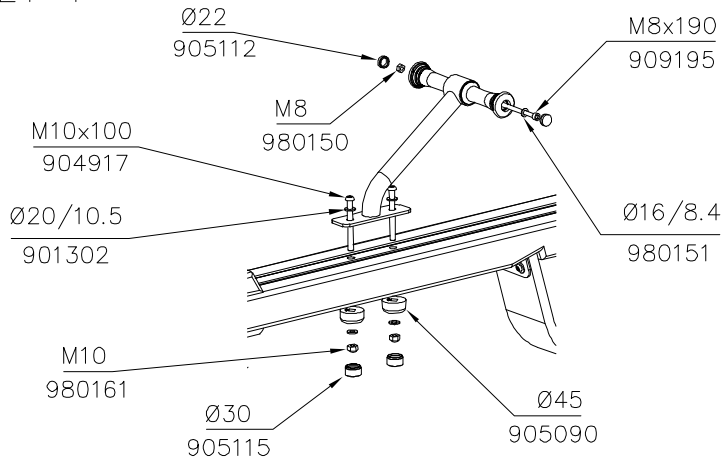
DET 2



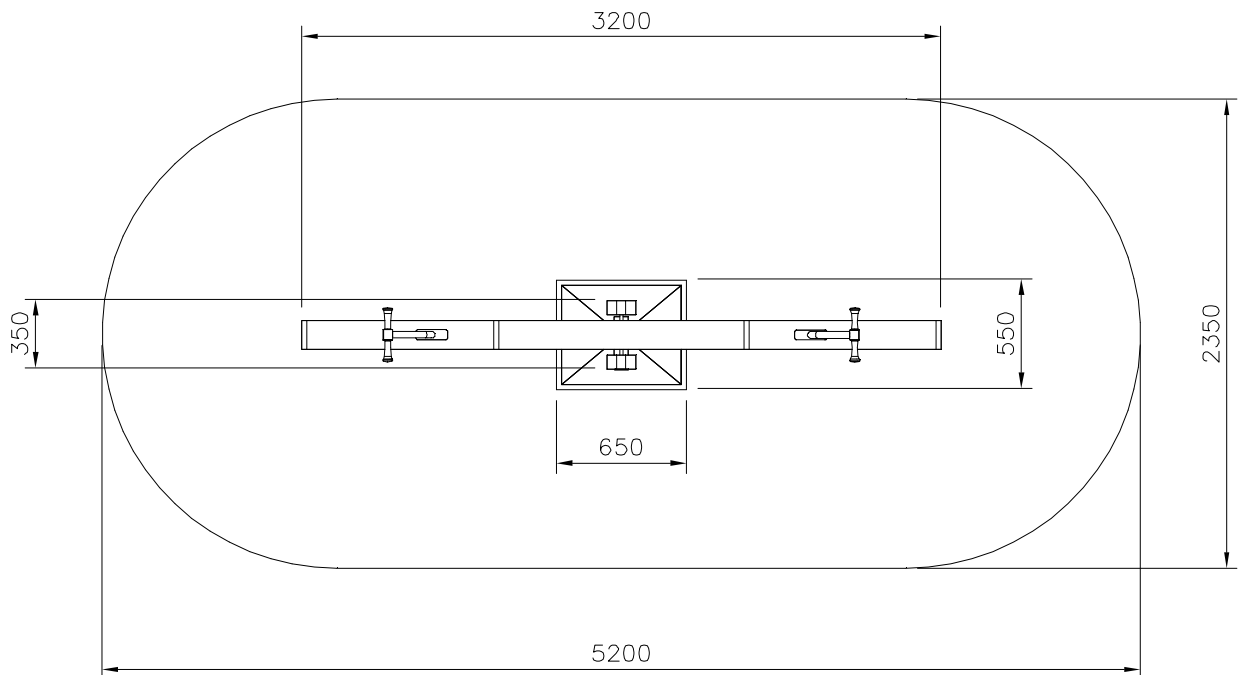
DET 3



DET 4



— EN Impact Area 11 m2
 - - - Falling Space 11 m2
 Max Falling Height 1200 mm



AS Impact Area 18.8 m²

