

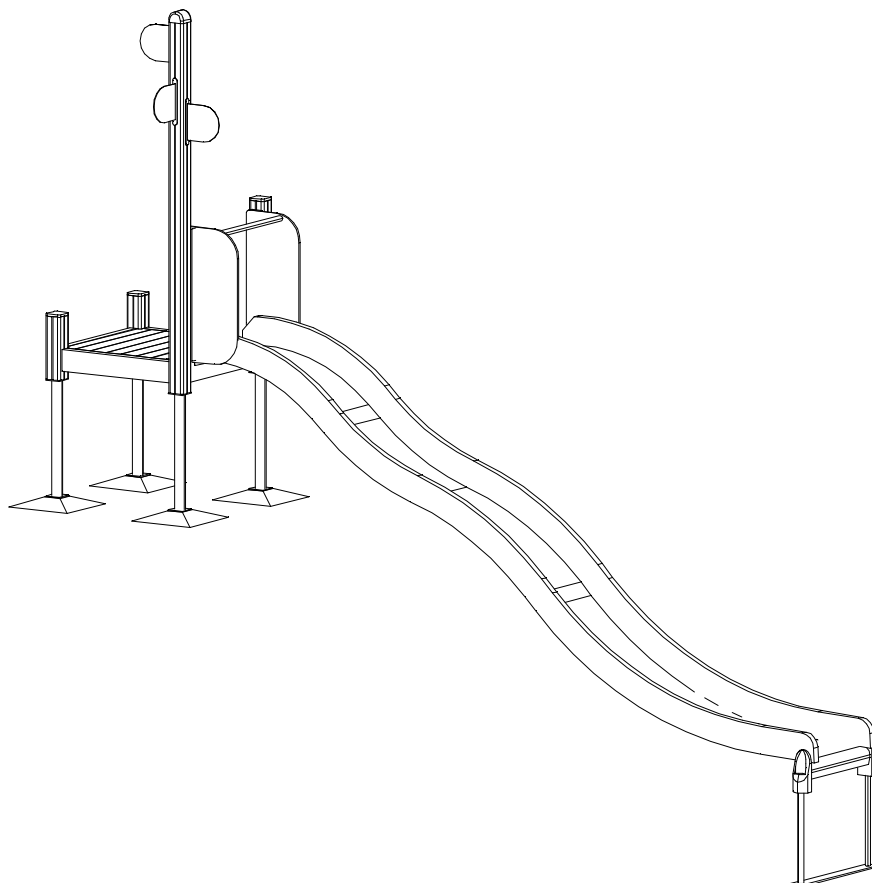



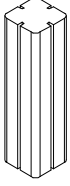
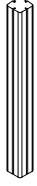

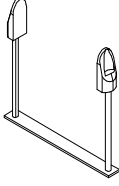
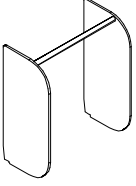


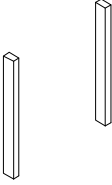
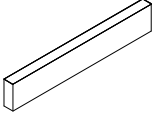
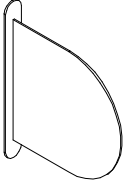
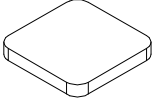
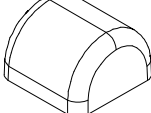
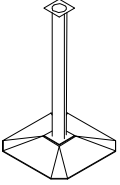






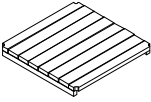
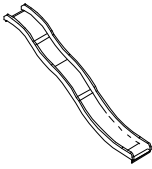
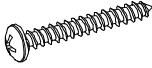


PRIME

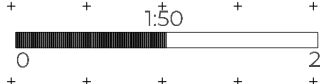
ASENNUSOHJE
MONTERINGSANSVISNING
INSTALLATION INSTRUCTION
AUFBAUANLEITUNG
NOTICE D'INSTALLATION

DATE: 10.4.2026

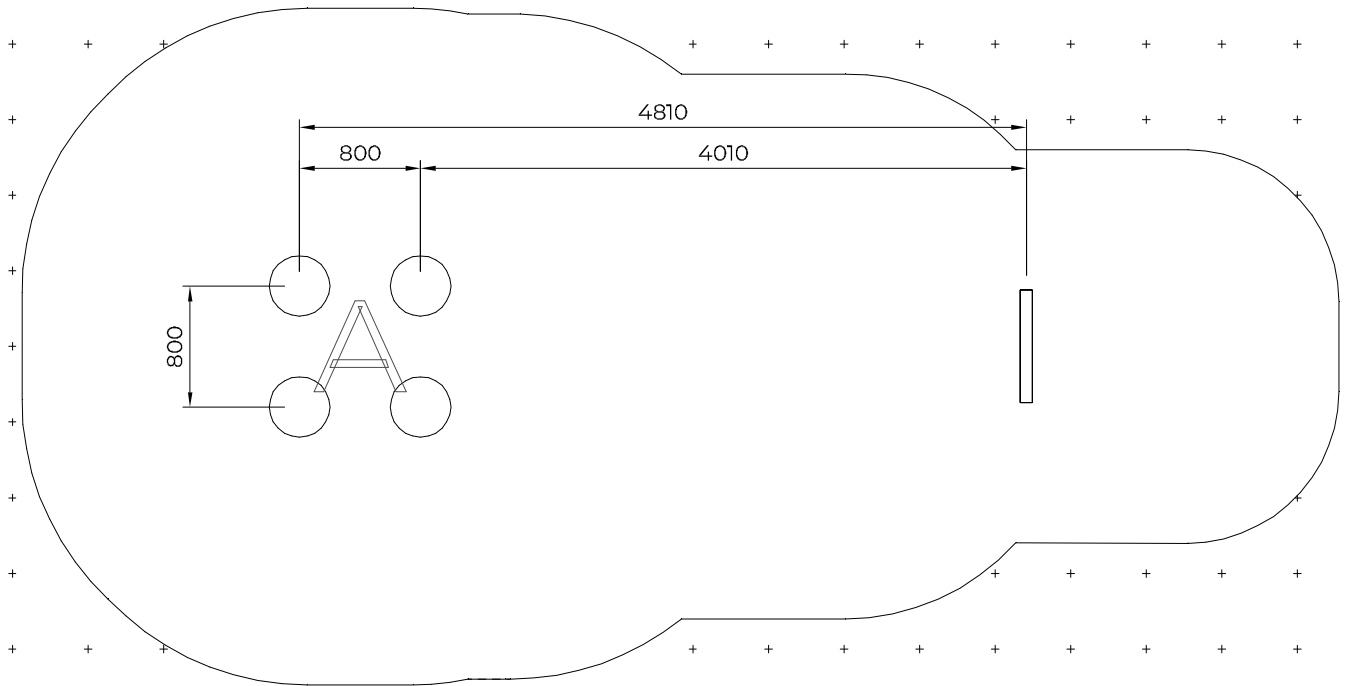
QF1042



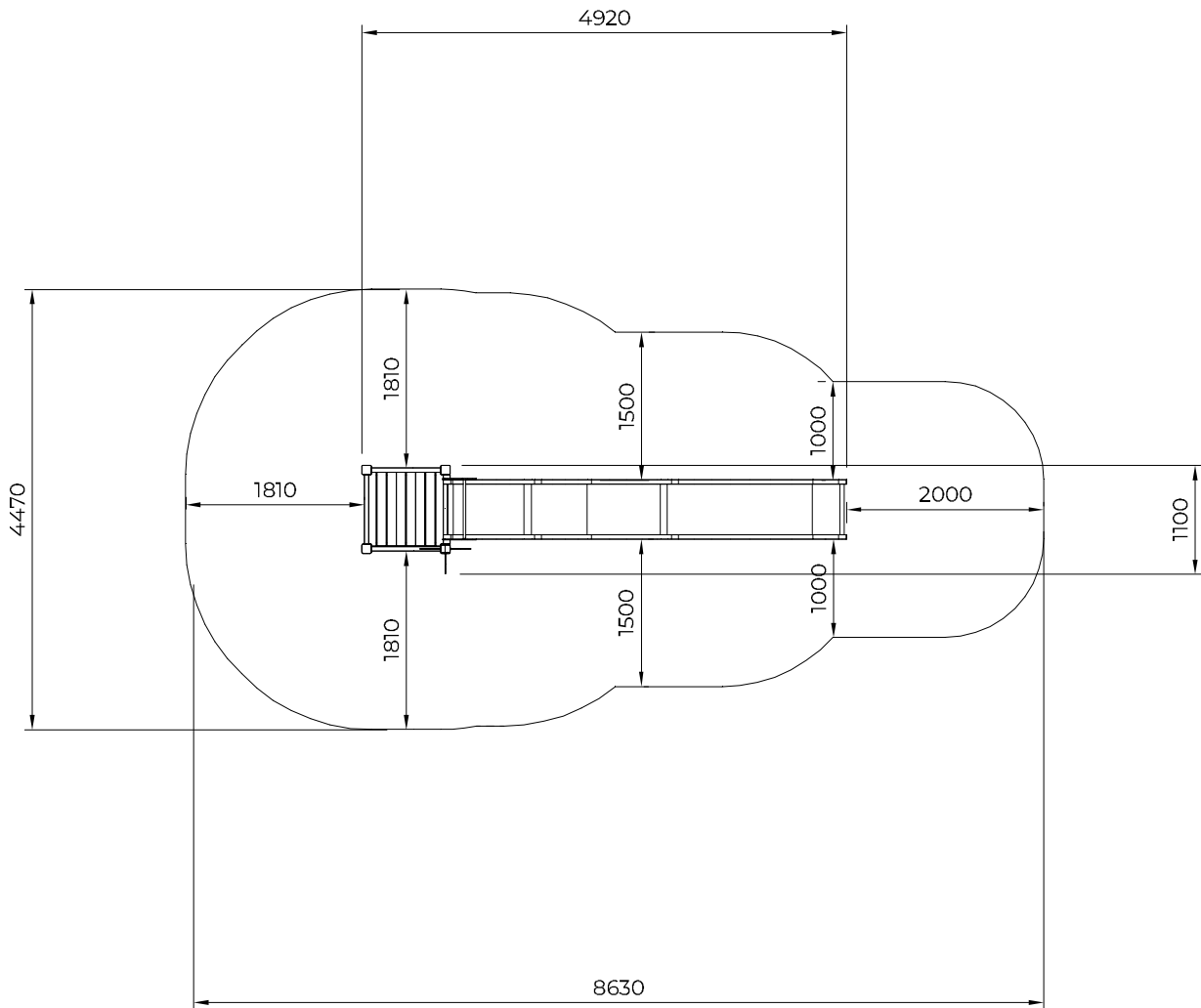
702286	PCS	712019-001	PCS	712025-001	PCS	712036-001	PCS	712497	PCS	712499-902	PCS
	1		2		1		1		1		1
65x65		L 350		L 950		L 2050					
712501-001	PCS	712747-001	PCS	712751-262	PCS	712760-905	PCS	712788	PCS	712889	PCS
	1		4		3		3		1		4
		L 704 								L 700 	
712922-001	PCS	713110-001	PCS	980114	PCS		PCS		PCS		PCS
	1		1		4						
		+1970 		Ø4x20							
	PCS		PCS		PCS		PCS		PCS		PCS
	PCS		PCS		PCS		PCS		PCS		PCS
	PCS		PCS		PCS		PCS		PCS		PCS

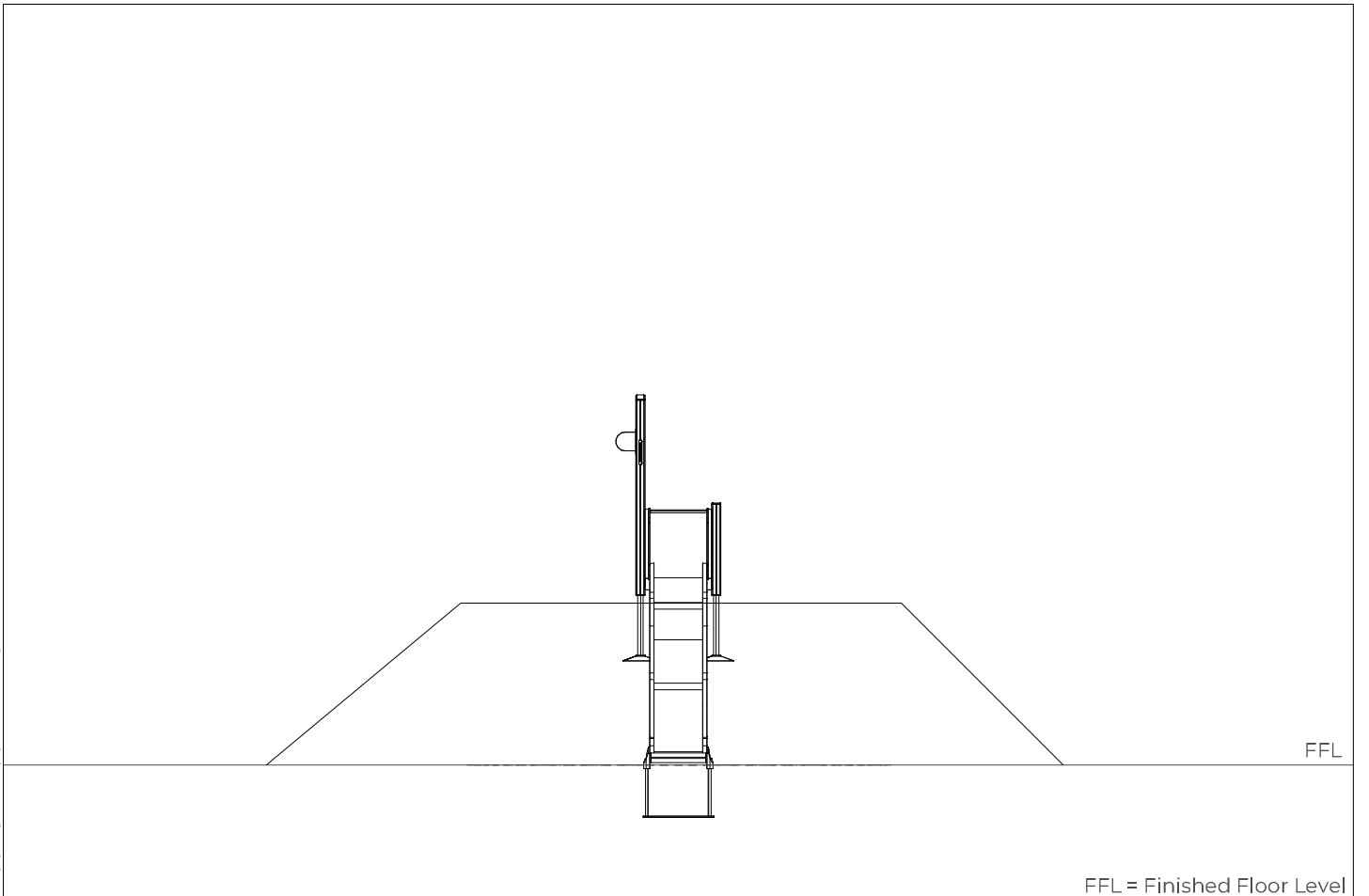
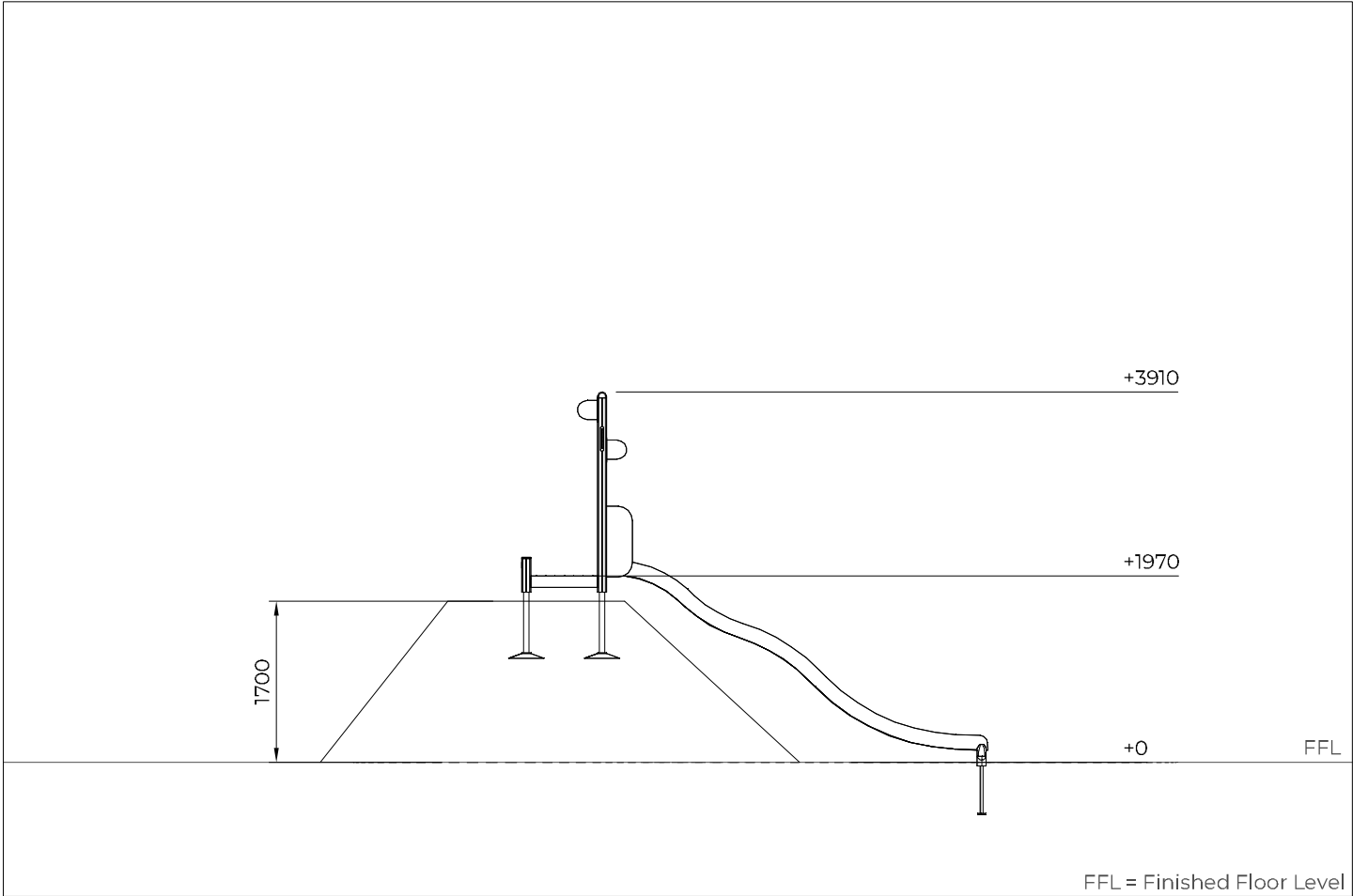


Grid size = 500 mm



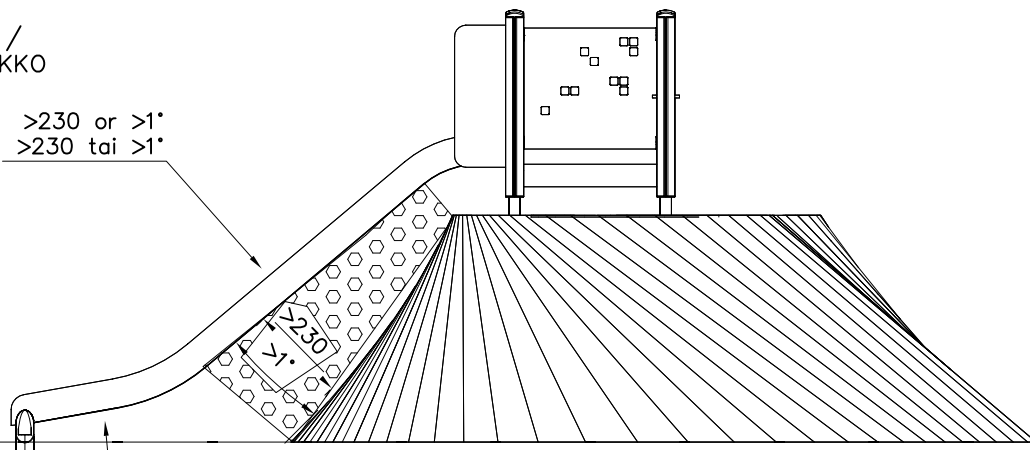
- EN/AS Impact Area 30 m²
- - - - Falling Space 30 m²
- Max Falling Height 1000 mm





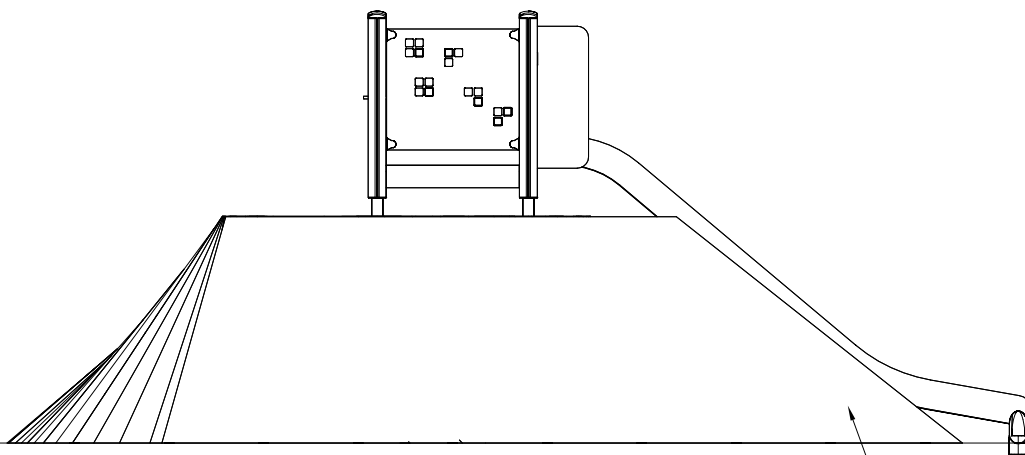
FREE GAP /
VAPAA AUKKO

>230 or >1°
>230 tai >1°

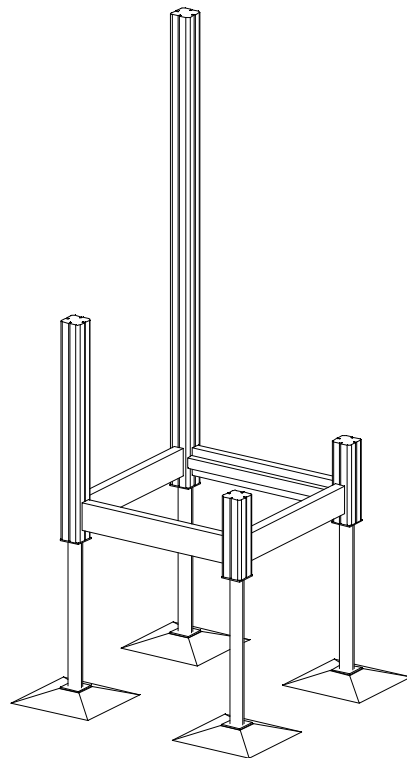
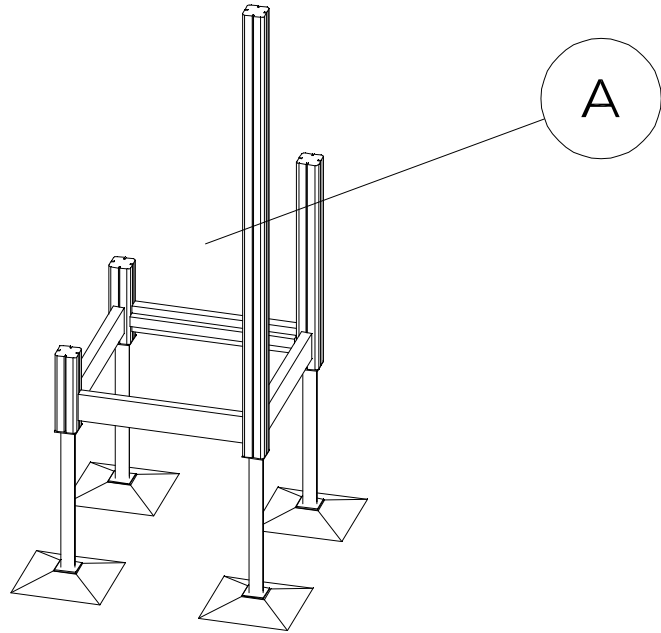


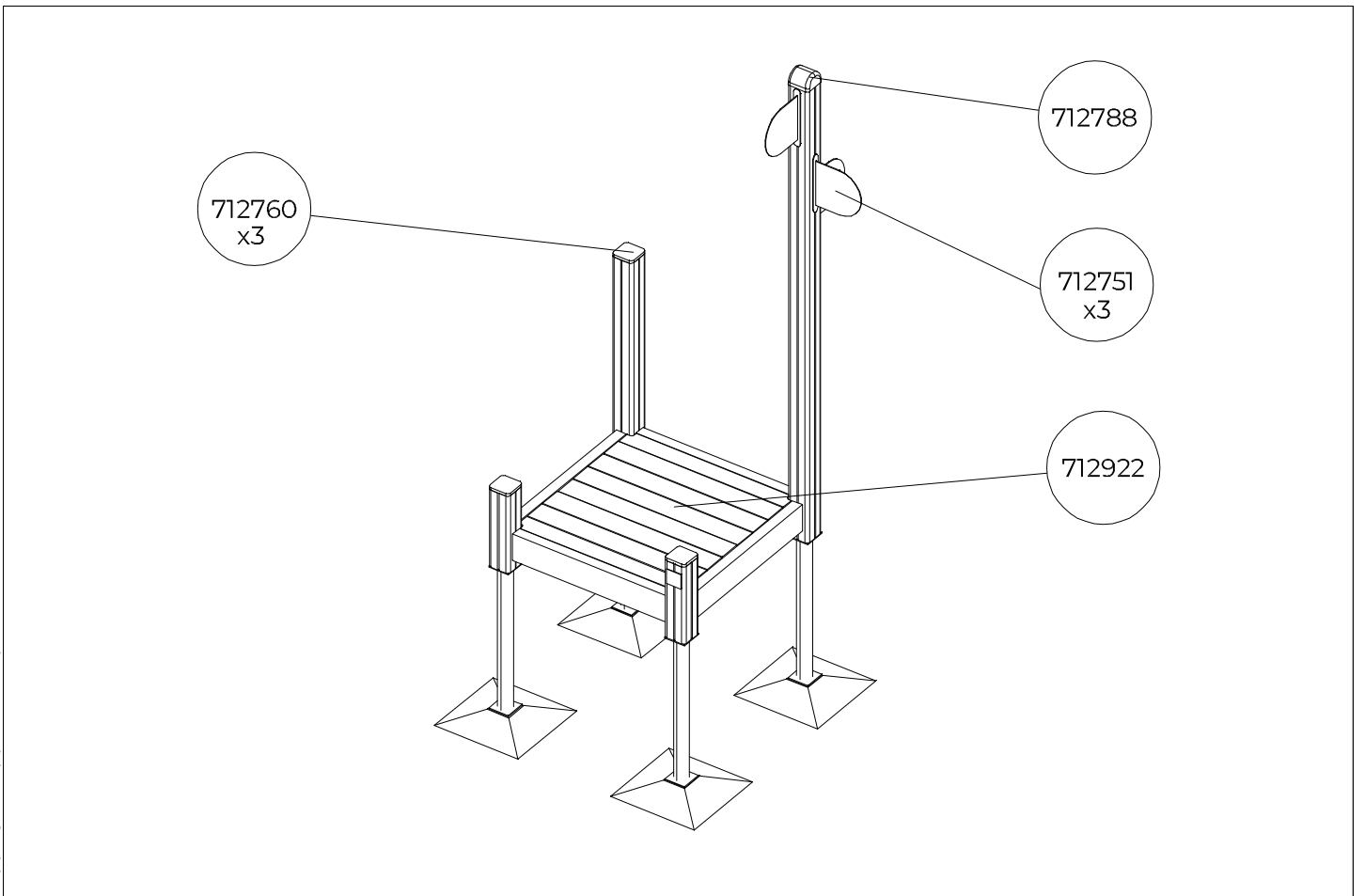
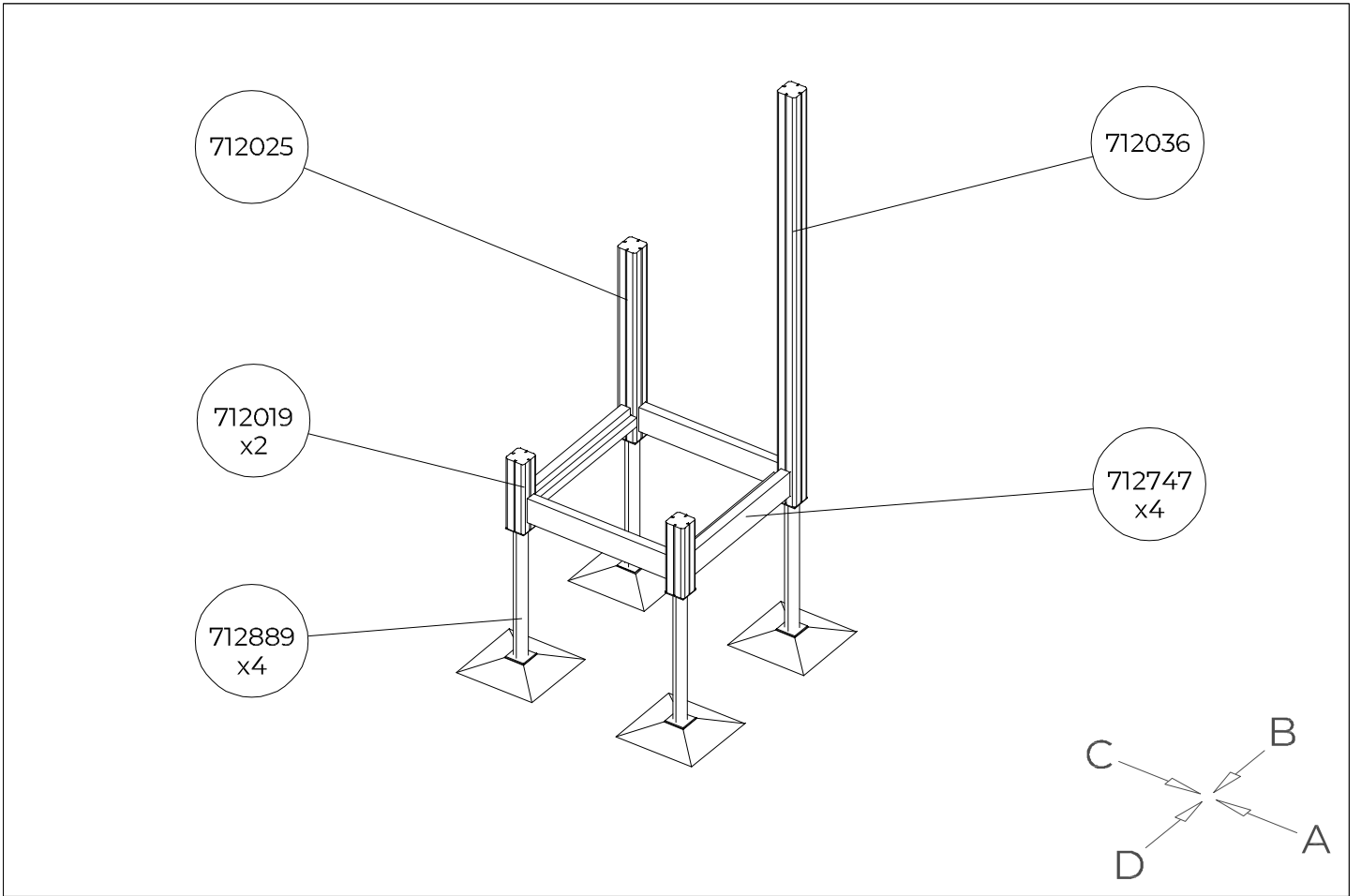
FULL FILLED /
TÄYTETTY AUKKO

OR / TAI



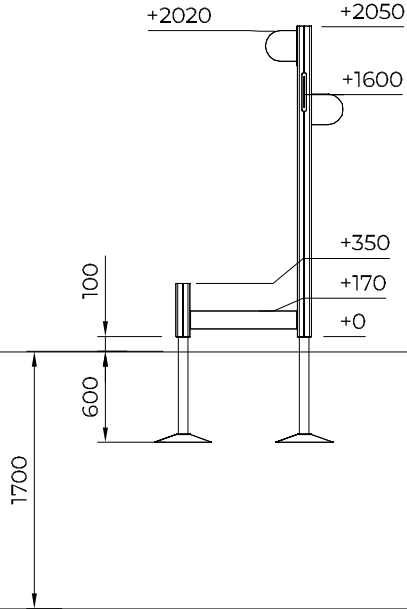
FULL FILLED /
TÄYTETTY AUKKO



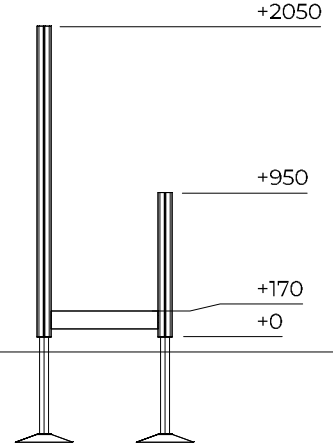


1:50

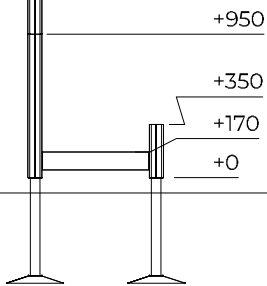
A



B



C



D

